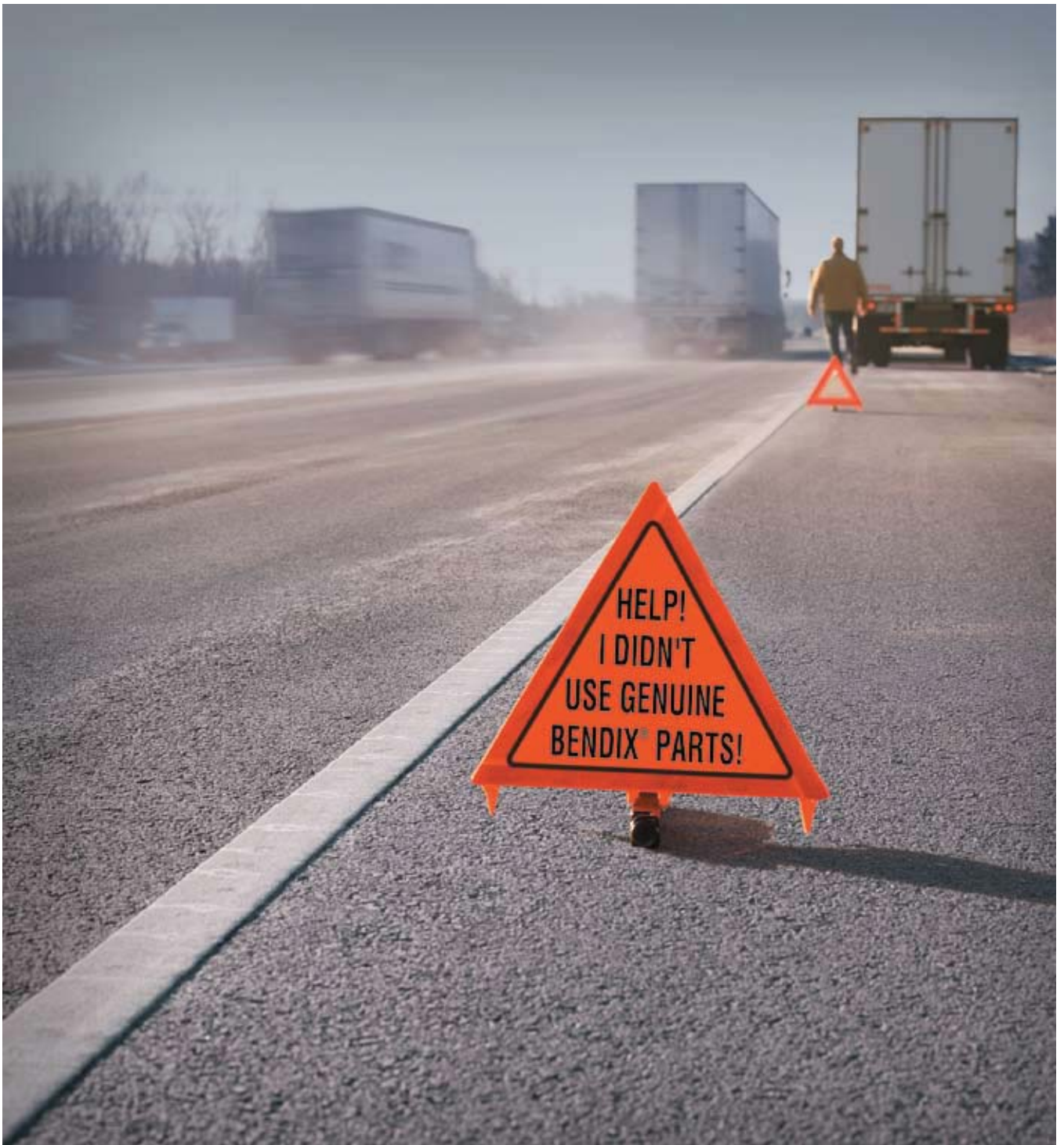




# Quick Reference Catalog

| Compressors | Valves | Wheel End Solutions | Air Treatment | Integrated Modules | Electronics |



YOU DIDN'T HAVE TO SETTLE FOR A KNOCKOFF PART.

You could've used **genuine Bendix parts**. When you buy knockoff parts without the genuine Bendix name and logo, you're taking serious risks. And a breakdown like this is far from a worst-case scenario. When you choose genuine Bendix parts, you know they've gone through rigorous testing and they're supported by the best warranties and customer service in the business. Our parts are the industry standard for active safety and braking system technologies. From air compressors to air dryers and valves, from the wheel-end to electronics systems, North America's leading OE manufacturers choose genuine Bendix product. So don't be fooled by risky knockoffs and look-alikes. They can deliver poor performance, lead to breakdowns, and compromise safety. Demand genuine Bendix parts. You can't afford anything less.

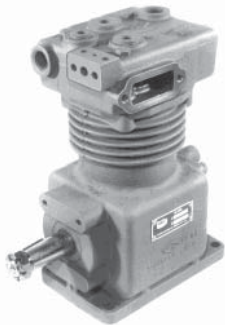




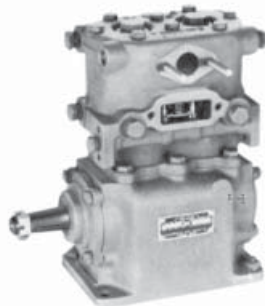
Product Group	Page	Product Group	Page	Product Group	Page
<b>ABS &amp; Stability - 13</b>		<b>Electronics - 15</b>		<b>Control Valves</b>	
AT-3™ ..... 97	97	ET-2™, ET-S2™ ..... 109	109	E-Z-Grip® Soft	
ATR-1™, ATR-3™, ATR-6™ ..... 98	98			Button Cover ..... 31	31
Axle Modules ..... 97	97	<b>Fan Clutch - 09</b>		MV-2™, MV-3® ..... 33-34	33-34
EC-60™ Controller ..... 93-95	93-95	Fan Clutch ..... 91	91	PP-1®, PP-2™, PP-3™ ..... 29	29
EC-30™, Gen 4/5 Controller ..... 92	92			PP-5™, PP-7™ ..... 30	30
ESP® Sensors ..... 103	103	<b>Foundation Brakes - 22</b>		PP-8™ ..... 31	31
Harnesses & Cables ..... 101	101	Drive Axle Drum Brake ..... 112	112	PP-DC®, RD-3™ ..... 32	32
M-30™, M-32™, M-32QR™ Modulators ..... 96-97	96-97	Steer Axle Drum Brake ..... 111	111	SV-1™, SV-4™, TW-4™, TW-11™ ..... 37	37
MC-30™, A-18™, MC-12™ ..... 99	99	Trailer Axle Drum Brake ..... 113	113	TC-4™ ..... 35	35
TABS-6™, BR9235™ ..... 99-101	99-101			TH-3™, TW-1™, TW-2™, TW-3™ ..... 36	36
WS-20™, WS-24™ Wheel Speed Sensors ... 102	102	<b>Indicating &amp; Warning Devices - 06</b>		<b>Inversion Valves</b>	
<b>Radar Systems</b>		Air Horn Kits ..... 67	67	TR-2™, TR-3™ ..... 23	23
Wingman® ACB, VORAD® VS-400 ..... 104-105	104-105	DS-1™, DS-2™ ..... 64	64	<b>Pressure Protection Valves</b>	
BlindSpotter® Radar, Side Speaker ..... 106	106	SL-3™, SL-4™, SL-5™ ..... 65	65	PR-2™, PR-4™ ..... 24	24
<b>Tire Pressure Monitoring System</b>		LP-2™, TE-1™ ..... 66	66	<b>Pressure Reducing Valves</b>	
SmarTire™ TPMS ..... 107	107	LP-3™ ..... 67	67	RV-3™ ..... 25	25
<b>Diagnostic Tools</b>		<b>Slack Adjusters - 05</b>		<b>Quick Release Valves</b>	
RDU, TRDU, ACom®, Electronic Tools ..... 108	108	ASA-5® Automatic Slack Adjuster ..... 60-61	60-61	LQ-2™, QR-1C® ..... 27	27
<b>Actuators - 02</b>		Manual ..... 59	59	QR-L™ ..... 25	25
Brake Chambers, Diaphragms, Rotochambers,		Yoke Adapters ..... 60	60	QRN-2™, QR-1®, QRN™ ..... 26	26
Spring Brakes, Springs, Yokes ..... 16-17	16-17	Yoke Kits ..... 62	62	<b>Ratio, Limiting &amp; Proportioning Valves</b>	
<b>Air Brake System - 100</b>		<b>Tubing &amp; Fittings - 07</b>		LQ-4™ ..... 27	27
Coach, Double Train, School Bus,		C-1™, C-3™ ..... 68	68	LQ-5™, BP-1™, BP-R1® ..... 28	28
Tractor, Towing Trailer, Truck ..... 121-128	121-128	C-5™, C-6™ ..... 69	69	<b>Relay Valves</b>	
<b>Air Disc Brake - 23</b>		DV-2™ ..... 70	70	HR-1™ ..... 42	42
ADB22X™, ADB225™, SB-7™		Reducer Bushings ..... 74	74	R-6™, R-8™, R-8P™ ..... 38	38
SN-7™, SK-7™ ..... 114-115	114-115	Tubing, Tubing Clamps,		R-12®, R-12P™ ..... 39	39
<b>Air Dryers - 08</b>		Tubing Inserts, Nylon Tubing ..... 71	71	R-7™ Modulating Valve ..... 46	46
AD-2®, AD-4® ..... 82	82	Tubing Fittings ..... 72-75	72-75	R-12DC® ..... 40	40
AD-9® ..... 83	83	<b>Air Brake Hose</b>		R-14® ..... 41	41
AD-IP®, AD-IP®DI ..... 85	85	Hose, Hose Assembly, Hose Fittings &		RE-6®, RE-6NC™ ..... 42	42
AD-IS®, DRM™ ..... 86-88	86-88	Suspension Spring ..... 76-79	76-79	<b>Safety Valves</b>	
AD-SP® ..... 84	84	Hose Couplings, Dummy Couplings ..... 79-80	79-80	ST-3™ & ST-4™ ..... 13, 43	13, 43
Cartridge Guidelines ..... 90	90	<b>Valves - 03</b>		<b>Spring Brake Valves</b>	
Cyclone DuraDrain™ ..... 80	80	AutoBrake™ ..... 48	48	SR-1™, SR-2™, SR-4™, PR-3™ ..... 44	44
EverFlow® Air Dryer Module ..... 89	89	<b>Brake Valves</b>		SR-5™, SR-7®, SRC-7000™ ..... 45	45
PuraGuard®, PuraGuard® QC, AF-3™ ..... 81	81	E-2™, E-3™, E-5™ ..... 18	18	<b>Tractor Protection Valves</b>	
Trailer System-Guard® ..... 80	80	E-8P®, E-10P™, E-10PR™, E-12™,		TP-3®, TP-3DC™ ..... 46	46
<b>Compressors &amp; Governors - 01</b>		E-14™, E-15™ ..... 19	19	TP-4™, TP-5™ ..... 47	47
Compressors, Inlet Gasket ..... 2-3	2-3	E-7™ ..... 20	20	<b>Trailer Dump Valve</b>	
Compressor Changeover ..... 15	15	E-6®, E-10™, BVA-85™ ..... 21	21	SDS-9600™ ..... 48	48
Engine Application ..... 4-9	4-9	TC-2™, TC-6™, TC-7™ ..... 22	22	Valve Changeover ..... 58	58
D-2®, SV-1™ Governors & Gaskets ..... 14	14	TCS-9000™ ..... 23	23	Valve Maintenance Kits ..... 49-57	49-57
Inlet Check Valve ..... 12	12				
Maintenance Kits, Service Parts ..... 10-11	10-11	<b>Check Valves</b>			
Safety Valve, Air Strainers, Inlet Regulating		Double ..... 24	24		
Valve ..... 13	13	Single, Right Angle Check Valves ..... 25	25		

## Compressor Sizes

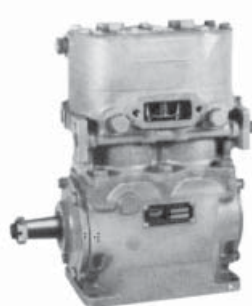
**BX-2150™ Compressor**  
9.5 CFM AT 1250 RPM



**Tu-Flo® 400 Compressor**  
7.25 CFM AT 1250 RPM



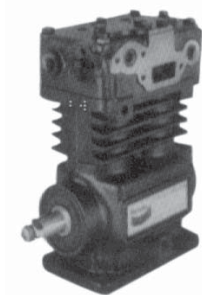
**Tu-Flo® 500 Compressor**  
12 CFM AT 1250 RPM



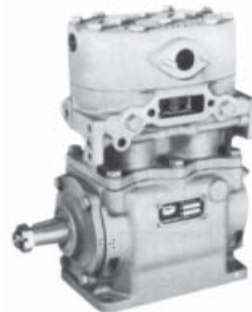
**Tu-Flo® 501 Compressor**  
12 CFM AT 1250 RPM



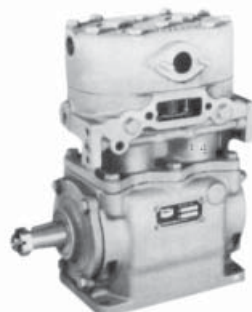
**Tu-Flo® 550 Compressor**  
13.2 CFM AT 1250 RPM



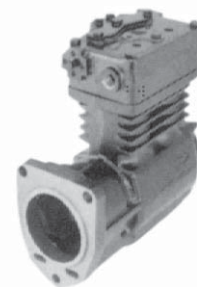
**Tu-Flo® 600 Compressor**  
14.5 CFM AT 1250 RPM



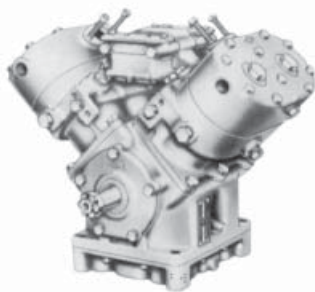
**Tu-Flo® 700 Compressor**  
15.5 CFM AT 1250 RPM



**Tu-Flo® 750 Compressor**  
16.5 CFM AT 1250 RPM



**Tu-Flo® 1000 Compressor**  
24 CFM AT 1250 RPM



**Tu-Flo® 1400L Compressor**  
31 CFM AT 1250 RPM



**DuraFlo 596™ Compressor**  
27 CFM AT 1250 RPM

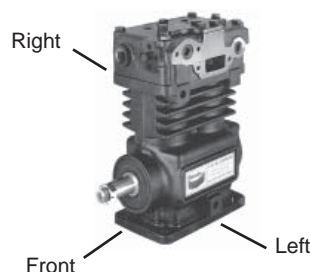


**BA-921® Compressor**  
15.8 CFM AT 1250 RPM



- Bendix air compressors are designed to meet a wide range of vehicle needs.
  - Several sizes and various mounting configurations are available.
  - Compressors are available remanufactured exchange.
- V.M.R.S. 13-009-000

Unless indicated, inlet & discharge locations are as shown.



**BA-922® Compressor**  
31.6 CFM AT 1250 RPM

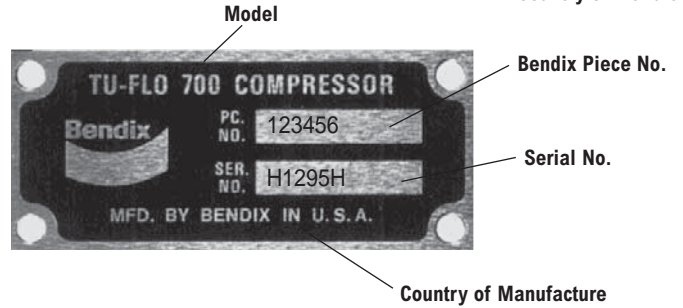
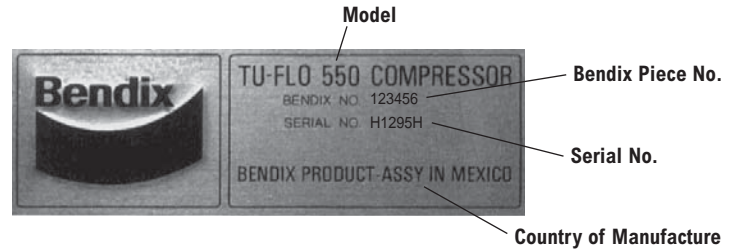




## Compressor Nameplates

A nameplate is attached to the crankcase of all compressors. It displays the model, piece number (PC. NO.) and serial number (SER. NO.). When making reference to a particular compressor use the piece number (PC. NO.) stamped on the nameplate.

The serial number is interpreted as follows: First is an alpha character (A through M skipping the letter I) representing January through December. The next four characters are numbers representing the day of the month followed by the year (two digits for each). The sixth and last character represents the manufacturing plant. For example serial number H1295H indicates the product was manufactured on August 12, 1995 in the Huntington, Indiana facility.



## Gaskets



**Inlet Flange Gasket Pc. No. 243430N**

For all Tu-Flo® Compressors  
 except Tu-Flo® 300 Compressor

Service New Pc. No.	Compressor
5013553	Tu-Flo® 550/750
5016795	Tu-Flo® 501

**Base Plate Gasket**

For compressors with 1/2" bottom drain port

**Bendix Tech Team**

Phone Numbers:  
 1-800-AIR BRAKE  
 (1-800-247-2725)

Fax: 440-329-9556

## BA-921® Remanufactured Compressors

*w/core group and core class identification*



BA-921®  
Air Compressor  
(Core Class 2K)  
**3126, C7, C9**  
**5010806X**

**Note: Flange gasket  
must be purchased  
from Caterpillar.**

CAT  
Core Group 1K



BA-921®  
Air Compressor  
(Core Class 2K)  
**C11 Acert, C13 Acert**  
**5014428X**  
(42 tooth drive gear)

*external oil supply line*

**C15 Acert, C18 Acert**  
**5012533X**  
(40 tooth drive gear)

CAT  
Core Group 1K

## BA-921® Compressor Kits

Part No.	Description
<b>Maintenance Kits</b>	
5008559	Compressor Seal Kit
5008558	Cylinder Head Gasket Kit
K023601	Cylinder Head Kit - CAT C7/C9
K023600	Cylinder Head Kit - CAT C11/C13/C15/C18
K023764	Cylinder Head Kit - Navistar Max 11/13
5012367	Engine Interface Seal Kit - CAT C7/C9
5012369	Engine Interface Seal Kit - CAT C15/C18
5012371	Engine Interface Seal Kit - DDC S60
5014183	Governor Adapter Kit
K046477	Unloader Kit



## BA-922® Remanufactured Compressors

w/core group and core class identification

**Caution!**  
BA-922® air compressors  
cannot be turbocharged.



**CAT**  
Core Group 1P

BA-922®  
Air Compressor  
(Core Class 1P)  
**C11 Acert, C13 Acert**  
**5013058X**  
(42 tooth drive gear)

BA-922®  
Air Compressor  
(Core Class 1P)  
**C15 Acert, C18 Acert**  
**5013059X**  
(40 tooth drive gear)



**DDC**  
Core Group 1L

BA-922®  
Air Compressor  
(Core Class 1L)  
**Series 60 non-EGR**  
**& Series 50**  
**5013695X**  
(69 tooth drive gear with a  
21 tooth spline)

**Equinox Engine**  
**5012895X**

A changeover kit is required  
if replacing a Tu-Flo® 750 or  
DuraFlo 596™ compressor.  
See BW2524 for additional  
information.



**John Deere**  
**Tier 3 PowerTech Plus**  
Core Group 1N

BA-922®  
Air Compressor  
(Core Class 1N)  
**5016389X**  
(drive gear not included)

### BA-922® Compressor Kits

Part No.	Description
<b><u>Maintenance Kits</u></b>	
5014472	Cylinder Head Gasket Kit
K049446	Unloader Kit (or two Unloader Kits K046477)
5014183	Governor Adapter Kit
5008559	Compressor Seal Kit
K033300	Cylinder Head Replacement Kit - CAT C11, C13, C15 & C18
5012369	Engine Interface Kit - CAT C11, C13, C15, C18
5012371	Engine Interface Kit - DDC S60
5018827	Engine Interface Kit - John Deere
<b><u>Changeover Kits</u></b>	
5015871	Series 50 CNG Kit
5016263	Series 50 Diesel, Series 60 non-EGR ( <i>rear</i> mount ECM)
5016728	Series 50 Diesel, Series 60 non-EGR ( <i>side</i> mount ECM)

## Tu-Flo® 550 & Tu-Flo® 750 Remanufactured Compressors

*w/core group and core class identification*



CAT  
Core Group 1A

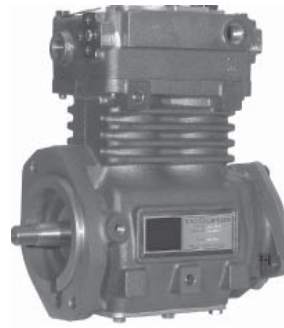
Tu-Flo® 550  
Air Compressor  
(Core Class 1A)  
**3406, C10, C12, C15, C16**  
**5002984X**  
*(rear end cover studs)*  
**3176, C15, C16**  
**5005790X**

**107509X**  
*(2 ½° tilt)*

Tu-Flo® 750  
Air Compressor  
(Core Class 2A)  
**3406, C10, C12, C15, C16**  
**5002713X**  
*(rear end cover studs)*

**3176, C15, C16**  
**5002983X**

**107508X**  
*(2 ½° tilt)*



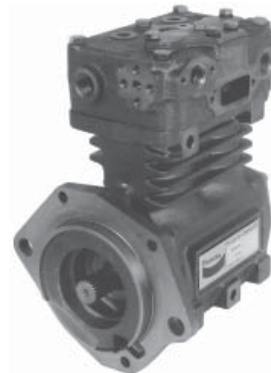
**CAT**  
**3116, 3126,**  
**C7 Acert, C9 Acert**  
Core Group 1A

Tu-Flo® 550  
Air Compressor  
(Core Class 1A)  
**5011016X**  
**\*5008249X**  
**107981X**  
*(Left Inlet)*

Tu-Flo® 750  
Air Compressor  
(Core Class 2A)  
**5004118X**

Top inlet unless noted.  
Removable rear flange cover.

\* High torque thru drive.



CAT 3306  
Core Group 1A

Tu-Flo® 550  
Air Compressor  
(Core Class 1A)  
**109251X**

Tu-Flo® 750  
Air Compressor  
(Core Class 2A)  
**109287X**



Cummins ISB & C  
Core Group 1E

37 tooth gear

Tu-Flo® 550  
Air Compressor  
(Core Class 1E)  
**108804X**  
*(top air inlet)*

**109653X**  
*(left air inlet)*

Tu-Flo® 750  
Air Compressor  
(Core Class 2E)  
**109382X**  
*(top air inlet)*



Cummins  
ISM, N14, M11  
Core Group 1B

Tu-Flo® 550  
Air Compressor  
(Core Class 1B)  
**107506X**

Tu-Flo® 750  
Air Compressor  
(Core Class 2B)  
**107507X**

Optional Tu-Flo® 550 & 750 compressors available with premium crankshafts for severe duty applications. See Bendix bulletin TCH-001-054.





**DDC**  
Core Group 1D

Tu-Flo® 550  
Air Compressor  
(Core Class 1D)  
**Series 60 non-EGR**  
**5004188X**  
(69 tooth gear w/  
21 tooth spline)

Tu-Flo® 750  
Air Compressor  
(Core Class 2D)  
**Series 60 non-EGR &  
Series 50**  
**5004187X**  
(69 tooth gear w/  
21 tooth spline)

BA-922® air compressor upgrade available.



**DDC**  
Core Group 1C

Tu-Flo® 550  
Air Compressor  
(Core Class 1C)  
**Series 60 non-EGR**  
**107622X**  
(21 tooth spline)

Tu-Flo® 750  
Air Compressor  
(Core Class 2C)  
**Series 60 non-EGR &  
Series 50**  
**107623X**  
(21 tooth spline)

BA-922® air compressor upgrade available.



NPT Ports

**International V8**  
Pre-2004  
Core Group 1I

**Note:** 300 pound maximum  
side load on belts.

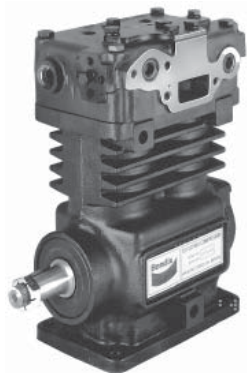
Tu-Flo® 550  
Air Compressor  
(Core Class 60)  
**T444E**  
**107514X**



**International V8**  
2004 - 2006  
Core Group 1I

*Engines built before 6/05 may  
require kit pc. no. 5016415  
for oil and water port adapters  
- see Bendix Bulletin  
TCH-001-055.*

**Note:** 300 pound maximum  
side load on belts.



**International V8**  
2007  
Core Group 1I

**Note:** 300 pound maximum  
side load on belts.

Tu-Flo® 550  
Air Compressor  
(Core Class 60)  
**VT365**  
**5019445X**  
(M18 water port &  
M10 oil port.)



**Volvo**  
Core Group 1H

Tu-Flo® 550  
Air Compressor  
(Core Class 1H)  
**108937X**

Tu-Flo® 750  
Air Compressor  
(Core Class 2H)  
**108935X**



NPT Ports

**International I-6**  
Pre-2004  
Core Group 1G

Tu-Flo® 550  
Air Compressor  
(Core Class 1G)  
**DT466, HT530**  
**5004613X**

Tu-Flo® 750  
Air Compressor  
(Core Class 2G)  
**HT530**  
**5004614X**

Optional Tu-Flo® 550 & 750 compressors available with premium crankshafts for severe duty applications. See Bendix bulletin TCH-001-054.



*Bottom drain & metric ports*

**International I-6**  
2004 - 2006  
Core Group 1G

Tu-Flo® 550  
Air Compressor  
(Core Class 1G)  
**DT466**  
**5014144X**

**HT570**  
**\*5014488X**

Tu-Flo® 750  
Air Compressor  
(Core Class 2G)  
**HT570**  
**\*5014489X**

\* Premium crankshaft for severe duty applications.



*Bottom drain & metric ports*

**International I-6**  
2007  
Core Group 1G

Tu-Flo® 550  
Air Compressor  
(Core Class 1G)  
**DT466**  
**5019320X**

**HT570**  
**\*5019321X**

Tu-Flo® 750  
Air Compressor  
(Core Class 2G)  
**HT570**  
**\*5019322X**

\* Premium crankshaft for severe duty applications.



**Mack Extended**  
Core Group 1F

Tu-Flo® 550  
Air Compressor  
(Core Class 1F)  
**\*108866X**  
(Pre -1997)  
**5002865X**

Tu-Flo® 750  
Air Compressor  
(Core Class 2F)  
**\*5003729X**  
(Pre -1997)  
**5002868X**

\* Head contoured for special clearance applications.

## Other Common Bendix® Compressors

Model	Piece Number	Core Class
<u>Flange Mount</u>		
BX-2150™, CAT	<b>108223X</b>	26
DuraFlo 596™, CAT	<b>5006570X</b>	97
DuraFlo 596™, DDC	<b>5005875X</b>	97
Tu-Flo® 501, CAT/Mack	<b>108213X</b>	14
Tu-Flo® 501, CAT/Mack	<b>103274X</b>	14
Tu-Flo® 700, CAT	<b>103278X</b>	05
Tu-Flo® 700, DDC	<b>289925X</b>	05
Tu-Flo® 1000, CAT	<b>108221X</b>	64
<u>Base Mount</u>		
Tu-Flo® 501	<b>286528X</b>	59
Tu-Flo® 700	<b>289350X</b>	61


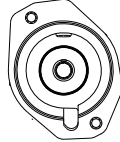
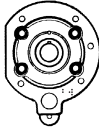
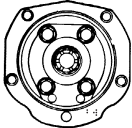
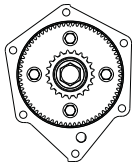
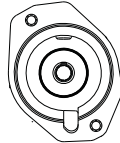
## Don't see your compressor?

Please contact your Bendix Account Representative or call  
**1-800-AIR BRAKE (1-800-247-2725)**  
to talk with our Tech Team for a service replacement.





## Engine Application

Flanges	Engines	Tu-Flo® 500 Compressor	Tu-Flo® 501 Compressor	Tu-Flo® 700 Compressor	Tu-Flo® 1400 Compressor	Tu-Flo® 550 Compressor	Tu-Flo® 750 Compressor	BA-921® Compressor	BA-922® Compressor
	CAT 3406 CAT 3406B CAT 3408 CAT 3116  CAT C11/C13 CAT C15/C18  Mack 6 cylinder Mack (other)	- - - -  - -  284662X -	286546X 103274X 286552X -  - -  286544X 286620X	289349X 103278X - -  - -  289340X -	- 104583X - -  - -  - 104584	- 107509X - -  - -  107511X -	- 107508X - -  - -  107510X -	- - - -  5014428X 5012533X  - -	- - - -  5013058X 5013059X  - -
	CAT 3126, C7 and C9	-	-	-	-	-	-	5010806	-
	Cummins NH, NTC, KT, KTA Series Engines (See bulletin TCH-01-02)	284718X* 284699X	286618X* 286554X	289339RX	-	107506X	107507X	-	-
	Detroit Diesel 0° Tilt 45° Tilt  Series 60 0° Tilt	276962RX 285252X  -	286539X -  286619X❶	289941X 101158X  106780X❶	108779X -  -	107513X -  107622X❶	107512X -  107623X❶	- -  -	- -  -
	Detroit Diesel	-	-	-	-	-	-	-	5013695X
	International DT466 MT530 MT I-6	- - - -	- - - -	- - - -	- - - -	5014144X 5004613X 5014488X 5019320X 5019321X	- 5004614X 5014489X 5019322X	- - - -	- - - -

❶ Series 60 Compressors must be replaced with Series 60 Compressors only. Failure to do so will result in compressor damage.

\*Top Discharge - Cylinder Head

\*\*Tu-Flo® 700 Compressor Cylinder Head incorporates both side & top discharge

## Compressor Maintenance and Service Kits

	U-7¼ Compressor	E-12™ & F-12™ Compressor	BX-2150™ Compressor	Tu-Flo® 300 Compressor	Tu-Flo® 400 Compressor	Tu-Flo® 500 Compressor	Tu-Flo® 501 Compressor
<b>NUMBER OF CYLINDERS</b>	2	2	1	2	2	2	2
<b>FIELD MAINTENANCE KIT</b>	NA	NA	108848N	229415N	229416	229417N	287043N
			109356 (CAT)				
<b>UNLOADER KIT</b>	NA	NA	108847N	279613N	279614	279615N	279615N
<b>GASKET SET</b>	NA	NA	NA	NA	280511	280512N	101558
<b>PISTON RING SETS</b> (3) = 3 ring piston (4) = 4 ring piston (5) = 5 ring piston Unless otherwise indicated one piston ring set services the entire compressor.							
Standard Size	226721N	225514	104045	226778N	226721N (4) 289603N (3)	225514	106105N (5)
.010 O.S.	226722N	225515N	104046	226779	226722N (4) 289604 (3)	225515N	106106 (5)
.020 O.S.	226723N	225516N	104047	226780	226723N (4) 289605 (3)	225516N	106107 (5)
.030 O.S.	226724	225517N	104048	226781	226724 (4) 289606 (3)	225517N	106108 (5)
.040 O.S.	NA	NA	NA	NA	NA	NA	5005216
<b>PISTON AND WRIST PIN KITS</b> (5) = 5 ring piston * These piston and wrist pin kits have a selected fit. A set contains one piston & one pin. All other piston & wrist pin kits have a non-selected fit and each kit contains one piston, one wrist pin & two wrist pin buttons.							
Standard Size	NA	NA	104049	225704N*	289438N	289928N	106109N (5)
.010 O.S.	NA	NA	104050N	226630*	289439N	289929N	106110N (5)
.020 O.S.	NA	NA	104051	226631*	289440N	289930N	106111N (5)
.030 O.S.	NA	NA	104052	226632*	289441	289931N	106112N (5)
.040 O.S.	NA	NA	NA	NA	NA	NA	5005217
<b>ALUMINUM CONNECTING RODS</b> (services 1 connecting rod)							
Without Inserts	229083	NA	NA	NA	229083	NA	NA
With Std. Inserts	229082N	NA	102398RX (Std.) 107465RX (.010 O.S.) 107466RX (.020 O.S.)	227479 (Std.)	229082N	NA	NA
<b>STEEL CONNECTING RODS</b> (services 1 connecting rod)							
Without Inserts	NA	229085	NA	NA	NA	229085	286258
With Std. Inserts	NA	NA	NA	NA	NA	NA	286259
<b>CONNECTING ROD INSERT KIT</b> (services 1 connecting rod)							
Standard Size	282763N	282767N	NA	NA	282763N	282767N 287062N(M)	286254N 287058N(M)
.010 O.S.	282764N	282768N	NA	NA	282764N	282768N 287063(M)	286255N 287059N(M)
.020 O.S.	282765N	282769N	NA	NA	282765N	282769N 287064(M)	286256N 287060N(M)
.030 O.S.	282766N	282770N	NA	NA	282766N	282770N	286257N 287061N(M)
.040 O.S.	NA	NA	NA	NA	NA	NA	5005218 5005219(M)
<b>PISTON RINGS AND CONN. ROD KIT</b> (services the entire compressor)	NA	NA	NA	NA	NA	NA	NA
<b>CRANKSHAFT BEARING KIT</b>	NA	NA	NA	NA	NA	NA	NA

(M) For Mack style compressors with power steering driven by the compressor crankshaft.

NA - Not Available

## Compressor Maintenance and Service Kits

	Tu-Flo® 550 Compressor	Tu-Flo® 600 Compressor	Tu-Flo® 700 Compressor	Tu-Flo® 750 Compressor	Tu-Flo® 1000 Compressor	Tu-Flo® 1400 Compressor	BA-921® Compressor	BA-922® Compressor
<b>NUMBER OF CYLINDERS</b>	2	2	2	2	4	4	1	2
<b>FIELD MAINTENANCE KIT</b>	107516N	229417N	289998N	107516N	229417N (2 req'd.)	104592	NA	NA
<b>UNLOADER KIT</b>	107515N	279615N	279615N	107515N	279615N (2 req'd.)	279615N (2 req'd.)	K046477	K049446 (or two K046477 kits)
<b>GASKET SET</b>	NA	101559	101559	NA	NA	NA	5008558	5014472
<b>PISTON RING SETS</b> (3) = 3 ring piston (4) = 4 ring piston (5) = 5 ring piston Unless otherwise indicated one piston ring set services the entire compressor.								
Standard Size	107639N	282525N (5)	282525N	5005361	288646	282525N (2 req'd.)	NA	NA
.010 O.S.	107640	282526N (5)	282526N	5005362	288647N	282526N (2 req'd.)	NA	NA
.020 O.S.	107641	282527N (5)	282527N	5005363	288648	282527N (2 req'd.)	NA	NA
.030 O.S.	107642	282528N (5)	282528N	5005364	288649	282528N (2 req'd.)	NA	NA
<b>PISTON AND WRIST PIN KITS</b> (5) = 5 ring piston * These piston and wrist pin kits have a selected fit. A set contains one piston & one pin. All other piston & wrist pin kits have a non-selected fit and each kit contains one piston, one wrist pin & two wrist pin buttons.								
Standard Size	107647	289891N	289891N	107643	289928N	289891N	NA	NA
.010 O.S.	107648	289892N	289892N	107644	289929N	289892N	NA	NA
.020 O.S.	107649	289893	289893N	107645	289930N	289893N	NA	NA
.030 O.S.	107650	289894	289894N	107646	289931N	289894N	NA	NA
<b>ALUMINUM CONNECTING RODS</b> (services 1 connecting rod)								
Without Inserts	NA	NA	NA	NA	NA	NA	NA	NA
With Std. Inserts	NA	NA	NA	NA	NA	NA	NA	NA
<b>STEEL CONNECTING RODS</b> (services 1 connecting rod unless otherwise noted)								
Without Inserts	108841 (serv. 2)	229085	229085	108841 (serv. 2)	289029	229085	NA	NA
With Std. Inserts	NA	NA	NA	NA	NA	NA	NA	NA
<b>CONNECTING ROD INSERT KIT</b> (services 1 connecting rod unless otherwise noted)								
Standard Size	107651 (serv. 2)	282767N 287062N(M)	282767N	107651 (serv. 2)	282751N	282767N	NA	NA
.010 O.S.	107652 (serv. 2)	282768N 287063(M)	282768N 287063(M)	107652 (serv. 2)	282752N	282768N	NA	NA
.020 O.S.	107653 (serv. 2)	282769N 287064(M)	282769N 287064(M)	107653 (serv. 2)	282753N	282769N	NA	NA
.030 O.S.	107654 (serv. 2)	282770N	282770N	107654 (serv. 2)	282754N	282770N	NA	NA
<b>PISTON RINGS AND CONN. ROD KIT</b> (services the entire compressor)	108843 (std.) 5000334 (.010 O.S.) 5000333 (.020 O.S.) 5000332 (.030 O.S.)	NA	NA	108842N (std.) 5000331 (.010 O.S.) 5000330 (.020 O.S.) 5000329 (.030 O.S.)	NA	NA	NA	NA
<b>CRANKSHAFT BEARING KIT</b>	107969N	NA	NA	107969N	NA	NA	NA	NA

(M) For Mack style compressors with power steering driven by the compressor crankshaft.

NA - Not Available

See pages 4 and 5 for additional BA-921® and BA-922® compressor kits.



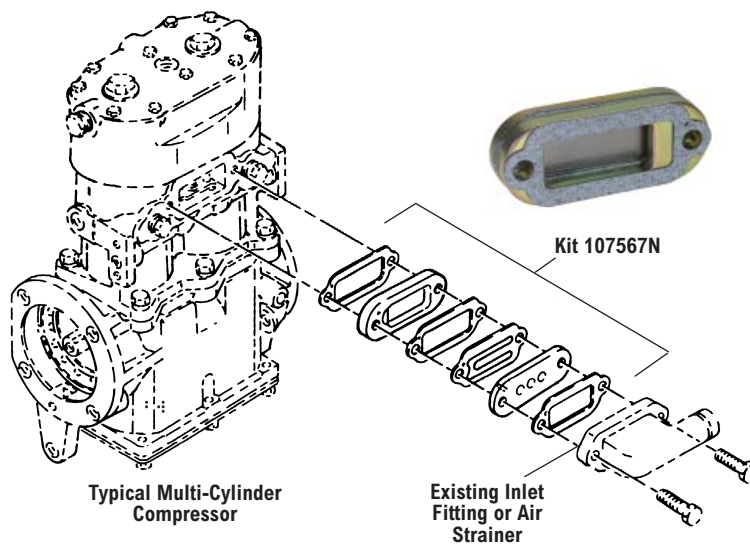
## Inlet Check Valve

The inlet check valve may be used on naturally aspirated compressors to prevent oil misting during the unloaded cycle. **Do Not** use the inlet check valve if the compressor inlet is connected to the pressure side of the supercharger or turbocharger.

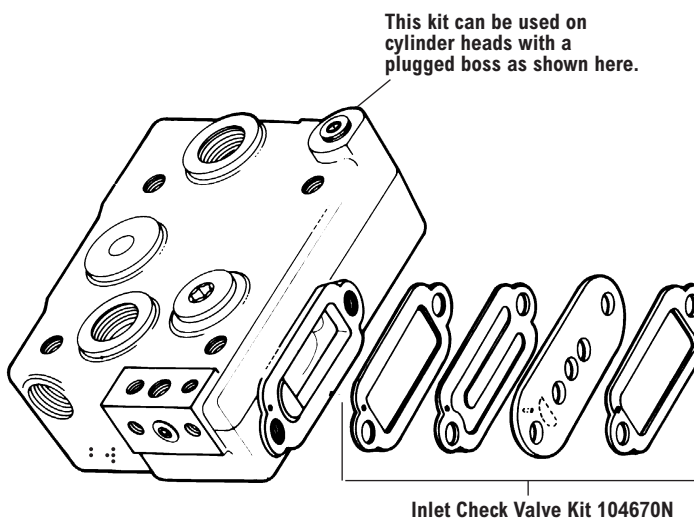
**Important:** *Installation of the inlet check valve assembly must be as shown in all illustrations.*

## Applications & Kits

Compressor	Kit	Comments
Tu-Flo® 300 Compressor	–	Not available for Tu-Flo® 300 Compressor
Tu-Flo® 400 Compressor	107567N	
BX-2150™ Compressor	See Illustration & Notes Below	
Tu-Flo® 500 Compressor	107567N	
Tu-Flo® 501 Compressor	107567N	
Tu-Flo® 550 Compressor	107567N	
Tu-Flo® 700 Compressor	107567N	
Tu-Flo® 750 Compressor	107567N	
Tu-Flo® 1000 Compressor	107567N	Two kits required
Tu-Flo® 1400 Compressor	107567N	Two kits required



## Inlet Check Valve Kit 104670N for BX-2150™ Compressor Cylinder Heads



## ST-4™ Safety Valve

V.M.R.S. 13-010-073

ST-4™ Safety Valve Pc. No.	Used in Conjunction with	Pressure Setting	Thread	No. of Holes
131081		250 psi	1/2-14 NPT	2
800019		150 psi	1/2-14 NPT	2
800154		250 psi	1/2-14 NPT	2
800155		200 psi	1/4-18 NPT	1
800350	Dryer Reservoir Module	150 psi	1/4-18 NPT	1
800533		250 psi	3/4-16 UNF-2A	2
800534		250 psi	M16 x 1.5-6H	2
801116		250 psi	7/8-14 UNF-2A	2



See the valve section of this catalog for additional safety valves.

## Air Strainers

Service New Pc. No. includes air strainer & hardware.  
Can not be used on a Tu-Flo® 300 compressor.

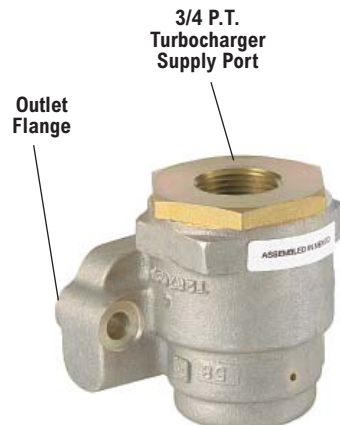


Air Strainer Kit Pc. No.	Service New Pc. No.	Replacement Filter
278500N	279901N	243009N



Air Strainer Kit Pc. No.	Service New Pc. No.	Filter & Gasket Kit	Replacement Filter
227785N	226469N	277157	239292N

## Inlet Regulating Valve



<b>Service New Pc. No.</b>
104171N

Do not use on a BX-2150™ Compressor.  
Can not be used on a Tu-Flo® 300 Compressor.

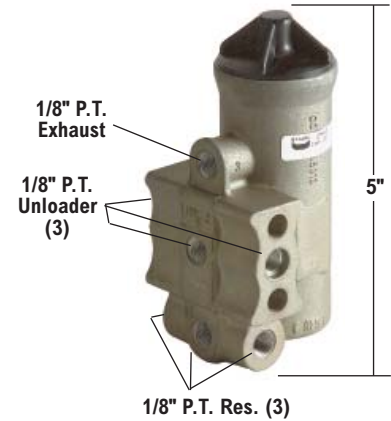
## D-2® Governor

- Available Remanufactured Exchange
- Maintenance Kit With High Temperature O-Rings Pc. No. 280915
- Maintenance Kit With Standard O-Rings 276121N
- Mounting Gasket 5007834
- Governor Check Valve Kit 5004049
- Operating cut-in and cut-out pressures are adjustable to OE equivalent pressures except for the non-adjustable governor.

V.M.R.S. 13-010-018

Reman. Exch. Pc. No.	Service New Pc. No.	Pressure Range P.S.I.	Comments
-	065018	100-120	Non-Adjustable
-	275200N	90-105	-
275491RX	275491N	100-120	-
-	275508N	95-110	-
-	275530N	120-150	-
275707RX	275707N	105-125	-
-	277486N	110-130	-
-	283657N	115-135	-
284358RX	284358N	105-125	See Note 1
-	800361N	105-130	Non-Adjustable

1 Governor supplied with high temperature o-rings and waterproof cover



**D-2® Governor**



**D-2A™ Governor (Non-Adjustable)**

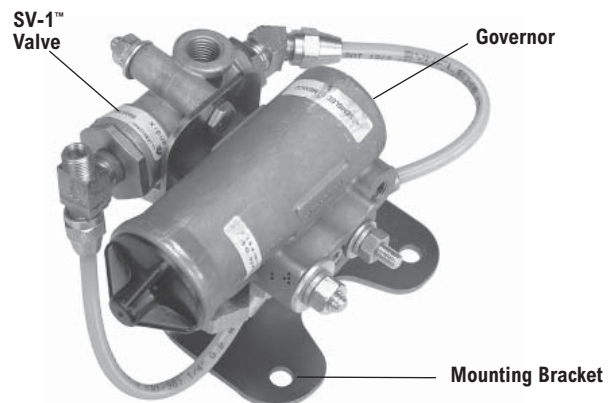
**Governor Maintenance Kit Contents**  
276121N and 280915



## D-2®/SV-1™ Module

Used in conjunction with the DuraFlo 596™ Compressor.

Service New Pc. No.	Type
5005365N	Steel Piston SV-1™ Valve 130 PSI
5007116	Standard D-2®/SV-1™ Module
5007404N	(High Temperature) w/unloader hose D-2®/SV-1™ Module

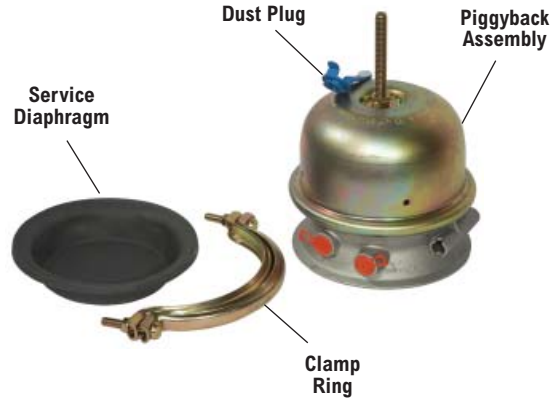
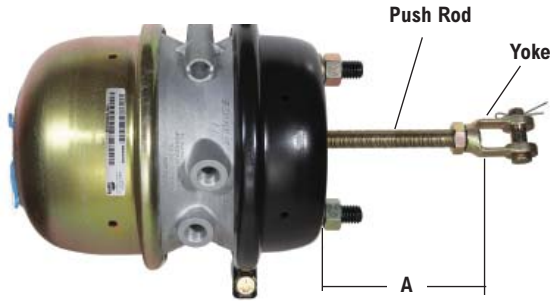






## Spring Brakes

V.M.R.S. 13-010-025



Type	Stroke	A Push Rod Length <sup>1</sup>	Spring Brake Service New Pc. No.		Piggyback Kit <sup>3</sup>	Piggyback	Rubber Service Diaphragm <sup>4</sup>	Clamp Band	Dust Plug <sup>5</sup>	Service Return Spring	
			w/Out Yoke	w/Yoke <sup>2</sup>							
20/24	2.25"	8.20"	800828	5007129	K027229	5007123	802488	800908	K034202	800919	
24/24	2.50"	8.00"	800829	5007130	K027230	5007124	802489	800909			
		9.75"	K026559	-							
24/30	2.50"	8.00"	800830	5007131	K027231	5007125	802489	800909			
		9.75"	K026561	-							
24/30 ELS	3.00"	7.80"	5010434	5010402	5011593	801376N	801378	800910			
30/30	2.50"	5.62"	NT3030STD-56	NT3030STD-56TC	NT3030STD-KIT	NT3030STD-PIG	K037502	800910			K057632
		7.80"	NT3030STD-78	NT3030STD-78TC							
		9.75"	K049898	-							
		12.00"	NT3030STD-120	NT3030STD-120TC							
		2.25" Welded Clevis	-	NT3030STD-WC							
30/30 ELS	3.00"	8.00"	K022884	K022883	5011594	801377N	801379	800910	K034202		
		9.75"	802541	-							
30/36	2.50"	7.80"	800832	5007133	K024654	5007127	802490	800910	802067	800919	
36/36 ELS	3.00"	8.50"	800833	5007134N	K027243	5007128	802491	800911	802067	800920	

<sup>1</sup> Push rod length measured in the fully retracted, zero stroke position.

<sup>2</sup> Yoke piece number 228790N is included. See yoke information below.

<sup>3</sup> Piggyback kit includes: Piggyback assembly, clamp bands with hardware, and a rubber service diaphragm.

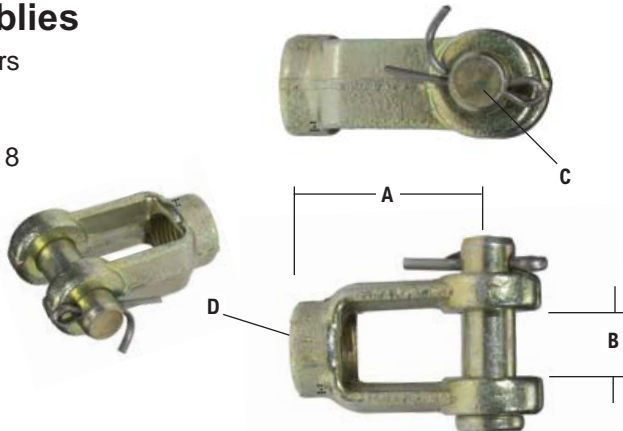
<sup>4</sup> Service diaphragm piece number 802490 should be used when servicing earlier Bendix 30/30 spring brake assemblies with a 2.50" stroke.

<sup>5</sup> Dust plug piece number K034202 should be used if servicing earlier Bendix 30/30 spring brake assemblies with a 2.50" stroke.

## Yoke Assemblies

For Brake Chambers & Rotochambers

V.M.R.S. 13-004-018

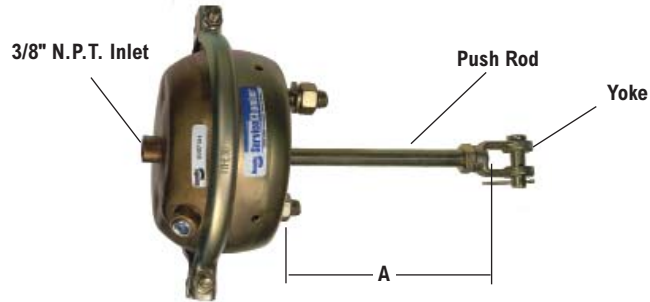


Yoke Assembly Pc. No.	A End to Pin	B Slot Width	C Pin Dia.	D Thread Size
205948N	1-3/4"	9/16"	1/2"	1/2-20
228790N	1-3/4"	9/16"	1/2"	5/8-18
228798N	1-3/4"	9/16"	5/8"	5/8-18
229496N	1-7/8"	13/16"	3/4"	5/8-18
282592N	2"	13/16"	3/4"	3/4-16

## Brake Chambers

Fully Threaded Push Rod

V.M.R.S. 13-010-034



Brake Chamber Type	Stroke	Service New Pc. No. w/Out Yoke	A Push Rod Length	Service New Pc. No. w/Yoke	A Push Rod Length	Rubber Diaphragm	Clamp Band	Spring
12	1.75"	800822	8.60"	5007117N	8.60"	802486	800906	800918
16	2.25"	800823	8.60"	5007118N	8.60"	802487	800907	
20	2.50"	802990	8.20"	800824	8.20"	802488	800908	800919
24	2.50"	802986	8.00"	800825	7.80"	802489	800909	
30	2.50"	800826	7.60"	5007121N	8.60"	802490	800910	
36 ELS	3.00"	800827	8.40"	5007122N	8.40"	802491	800911	800920



Diaphragm

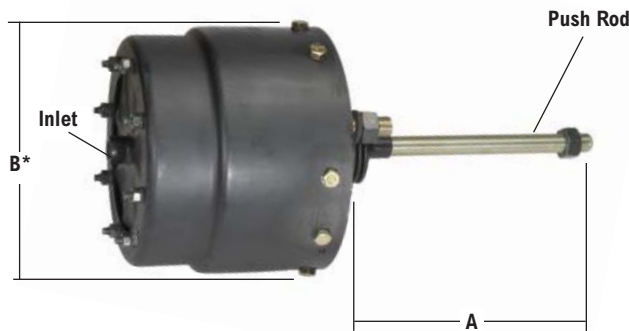


Spring

## Rotochambers

V.M.R.S. 13-010-034

Fully Threaded Push Rod



Spring



Diaphragm

Type	Service New Pc. No.	Port Size (NPT)	A Push Rod Length	Push Rod Thread	B Diameter*	Diaphragm Material and Size			Spring
						Rubber	Neoprene	C Diameter	
9	229814	1/4"-18	13"	1/2"-20	4-3/4"	231472	236524	4-5/16"	231481
12	229815	3/8"-18	11"	1/2"-20	5-9/32"	231506	236525	4-27/32"	231513
16	229816	3/8"-18	7-7/8"	1/2"-20	5-7/8"	231525	236526	5-7/16"	231531
20	229817	3/8"-18	6-7/8"	1/2"-20	6-13/32"	231982	236527	5-31/32"	231933
24	229818	1/4"-18	5-13/16"	1/2"-20	6-15/16"	231516	236528	6-7/16"	231522
30	229819	1/4"-18	9-1/16"	5/8"-18	7-17/32"	231543	236529	7-3/32"	231549
36	229820	1/4"-18	8-1/16"	5/8"-18	8-5/32"	231534	236530	7-21/32"	231540
50	229821	3/8"-18	10-15/16"	3/4"-16	9-13/32"	231491	236531	8-29/32"	231498

\* Diameter "B" measurement includes the bolt heads.



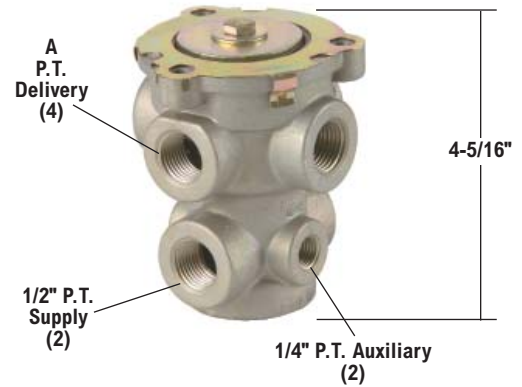
## E-2™ Brake Valve (Basic)

- Available Remanufactured Exchange
- Maintenance Kits
  - Pc. No. 276119N Minor Repair
  - Pc. No. 289324N Major Repair

Treadle and Mounting Plate  
Not Furnished. If Required, Refer To  
Master Parts Catalog.

V.M.R.S. 13-010-019

Reman. Exch. Pc. No.	Service New Pc. No.	A Pipe Thread (Delivery)
229500RX	229500N	3/8"
229501RX	229501N	1/2"

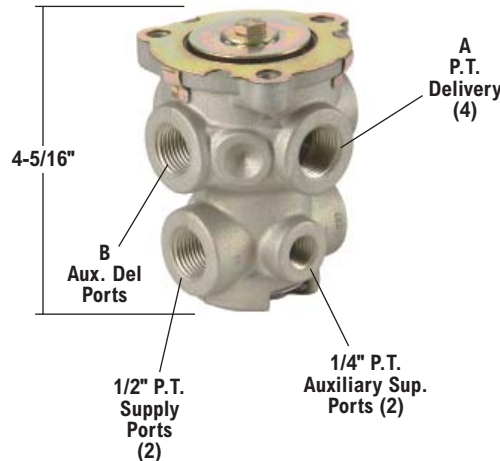


## E-3™ Brake Valve (Basic)

- Available Remanufactured Exchange
- Maintenance Kits
  - Pc. No. 276119N Minor Repair
  - Pc. No. 289329N Major Repair

Treadle and Mounting Plate  
Not Furnished. If Required Refer To  
Master Parts Catalog.

V.M.R.S. 13-010-019



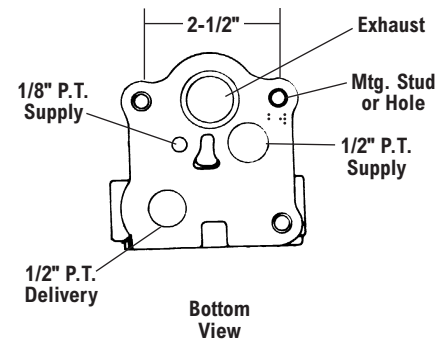
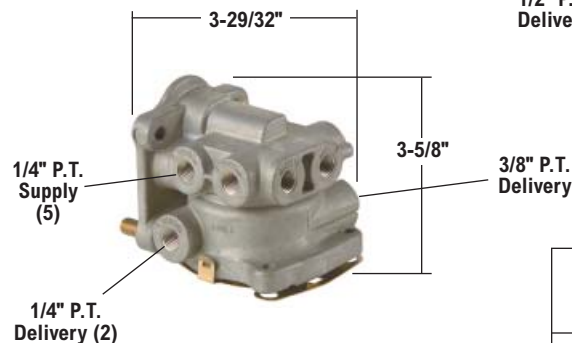
Reman. Exch. Pc. No.	Service New Pc. No.	A Pipe Thread (Delivery)	B Auxiliary Ports
277863RX	277863N	1/2"	NONE
278998RX	278998	1/2"	2-1/4"

## E-5™ Brake Valve (Basic)

- Available Remanufactured Exchange
- Maintenance Kits
  - Pc. No. 281084N Minor Repair
  - Pc. No. 289334N Major Repair

Pedal and Mounting Plate Not  
Furnished. If Required Refer To Master  
Parts Catalog.

V.M.R.S. 13-010-019



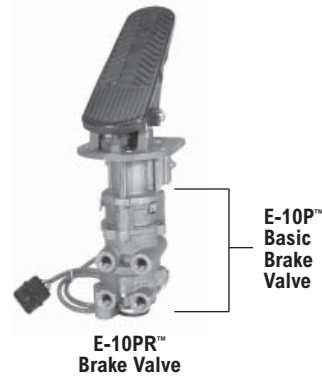
Service New Pc. No.
279950N

## E-8P®, E-10P™ & E-10PR™ Dual Brake Valves

- Maintenance Kits  
Pc. No. 287368N Minor Repair  
Pc. No. 289335 Major Repair

V.M.R.S. 13-010-051

Service New E-8P® Brake Valve	Replaces E-12™ Brake Valve	Comments*
800629	065313, 800583	Lower Body Rotated 90°
800630	065458	Lower Body Rotated 90°
800631	065460, 800407	1/2" NPT Exhaust
802924	–	High Temp
800599	–	PTC Fittings



Service New E-10P™ Brake Valve	Replaces E-15™ Brake Valve
800632	065315
	800318

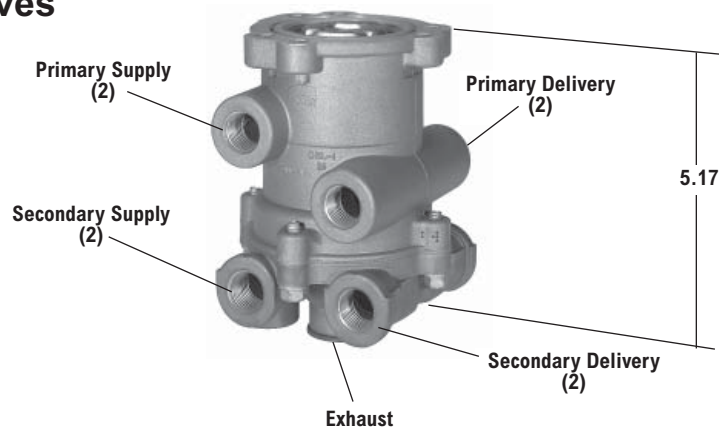
Service New E-10P™ Brake Valve	Replaces E-15R™ Brake Valve
800632	800319

\*PTC - Push To Connect Fittings

## E-12™ & E-15™ Dual Brake Valves

- Maintenance Kit  
Pc. No. 108367 Minor Repair

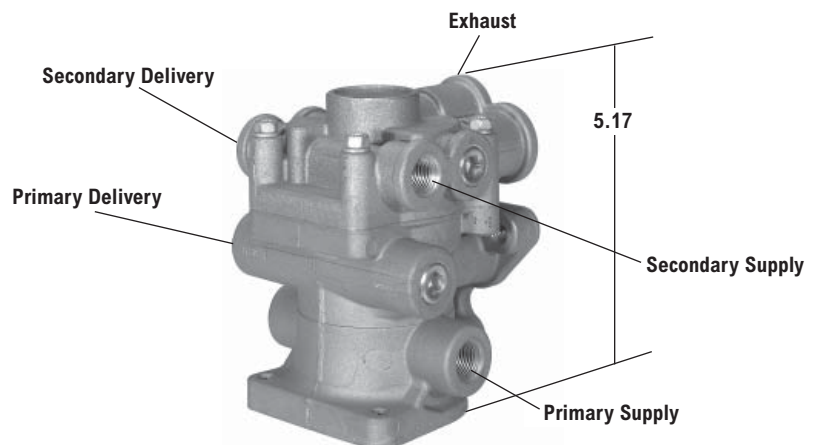
V.M.R.S. 13-010-051



## E-14™ Dual Brake Valve (Basic)

- Maintenance Kit  
Pc. No. 108367 Minor Repair

V.M.R.S. 13-010-051

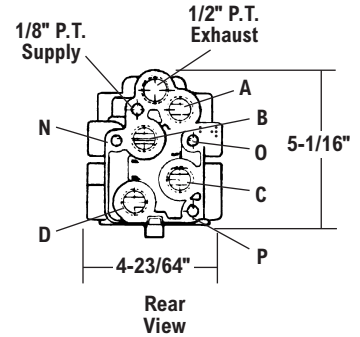
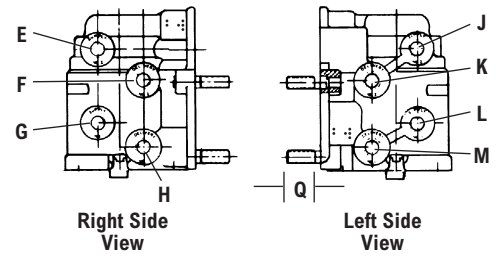


## E-7™ Dual Brake Valve (Basic)

- Available Remanufactured Exchange
- Maintenance Kits
  - Pc. No. 289352N Minor Repair
  - Pc. No. 289353 Major Repair

Pedal and Mounting Plate Not Furnished. If Required Refer To Master Parts Catalog.

V.M.R.S. 13-010-051



Reman. Exch. Pc. No.	Service New Pc. No.	Port Thread Sizes & Locations												Mtg. Studs in Positions "N", "O" "P" Above	Stud Length Q	Stud Thread Size
		A	B	C	D	E	F	G	H	J	K	L	M			
†284760RX	†284760N	No Thd	No Thd	No Thd	No Thd	1/4	-	1/4	-	-	-	-	-	No	-	-
286773RX	286773	1/2	1/2	1/2	1/2	1/4	1/4	1/4	1/4	1/4	1/4	1/4	1/4	Yes	1-1/2"	3/8"-24
286775RX	-	1/2	1/2	1/2	1/2	1/4	1/4	1/4	1/4	1/4	1/4	1/4	1/4	Yes	3/4"	3/8"-16
287411RX	287411N	1/2	1/2	1/2	1/2	1/4	1/4	1/4	1/4	3/8	3/8	3/8	3/8	No	-	-
*287564RX	*287564N	1/2	1/2	1/2	1/2	1/4	3/8	1/4	3/8	1/4	1/4	1/4	1/4	Yes	15/16"	3/8"-16
*288383RX	*288383N	1/2	1/2	1/2	1/2	1/4	1/4	1/4	1/4	1/4	1/4	1/4	1/4	No	-	-
101818RX	101818N	1/2	1/2	1/2	1/2	1/4	3/8	1/4	3/8	1/4	3/8	1/4	3/8	No	-	-

† Ford Basic Valve Kit: INCLUDES BASIC VALVE & 10 SEALING RINGS

\* EXHAUST PORT CONTAINS DIAPHRAGM



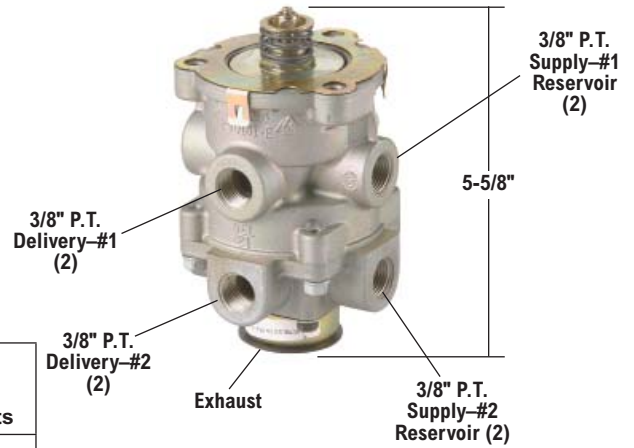
## E-6® Dual Brake Valve (Basic)

- Available Remanufactured Exchange
- Maintenance Kits
  - Pc. No. 287368N Minor Repair
  - Pc. No. 5019319 Minor Repair - High Temp
  - Pc. No. 289335 Major Repair

Treadle and Mounting Plate Not Furnished.  
If Required Refer To Master Parts Catalog.

V.M.R.S. 13-010-051

Reman. Exch. Pc. No.	Service New Pc. No.	Comments
286171RX	286171N	
-	802911	High Temp.

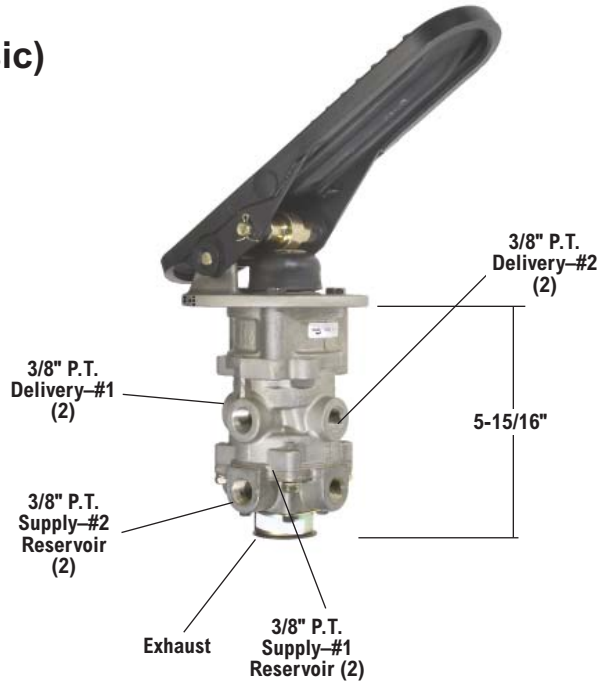


## E-10™ Dual Brake Valves (Basic)

- Maintenance Kit
  - Pc. No. 102100

Treadle and Mounting Plate Not Furnished.  
If Required, Refer to Master Parts Catalog.

V.M.R.S. 13-010-051

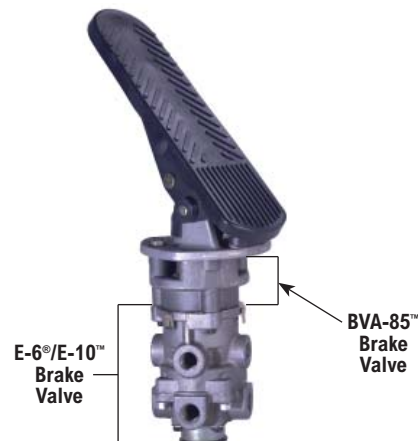


Reman Exch. Pc. No.	Service New Pc. No.
101100RX	101100N

## BVA-85™ Brake Valve Actuator

Service New Pc. No.	Comments*
5009593	1/4" PTC Port
5009594	1/4" NPT Port
K039060	1/4" NPT Port - High Temp.

\*PTC - Push To Connect Fittings

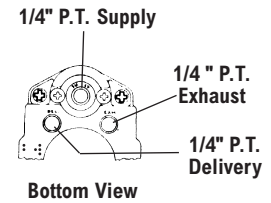
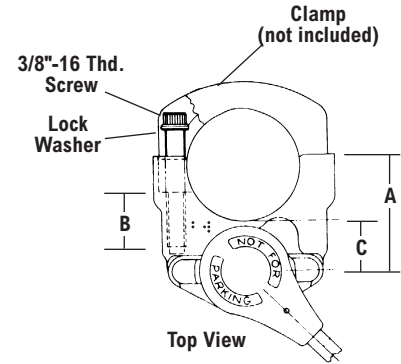


## TC-2™ Brake Valve (Basic)

- Available Remanufactured Exchange
- Maintenance Kit  
Pc. No. 276122

Handle - Not Furnished. If Required  
Refer To Master Parts Catalog.

V.M.R.S. 13-010-014



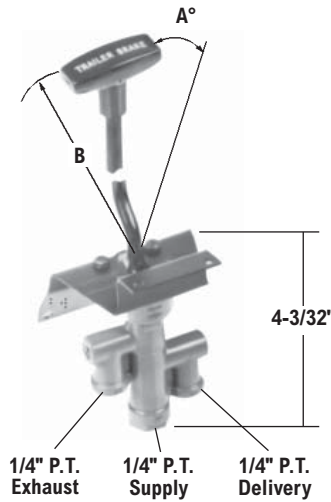
Reman. Exch. Pc. No.	Service New Pc. No.	Grad. Range Pressure (p.s.i.)	Final Delivery Pressure (p.s.i.)	A	B Thd./Drill Depth	C
-	101460	5-125	125	2.35"	1.4"	.97"
276270RX	276270N	5-80	Reservoir	3.44"	1.1"	2.1"
-	800172	5-125	Reservoir	1.25"	Through	.09"
-	800173	5-80	80	1.25"	Through	.09"
-	802634	5-80	80	3.44"	1.1"	2.1"

## TC-6™ Brake Valve

- Maintenance Kit  
Pc. No. 289890

Mounting Plate Not Furnished. If Required Refer To Master Parts Catalog.

V.M.R.S. 13-010-159



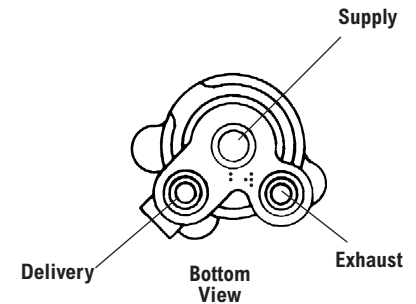
Service New Pc. No.	Handle		Final Delivery Pressure (p.s.i.)
	A°	B	
065512	55	7.03"	85
106385	55	8.93" Self Returning	85
101786N	75	8.52"	120
289884N	75	4.5"	120
289885N	75	4.5"	50
5003601N	55	8.9"	85

## TC-7™ Brake Valve

- Maintenance Kit  
Pc. No. 102145

Handle and Mounting Bracket Not Furnished. If Required Refer To Master Parts Catalog.

V.M.R.S. 13-010-159

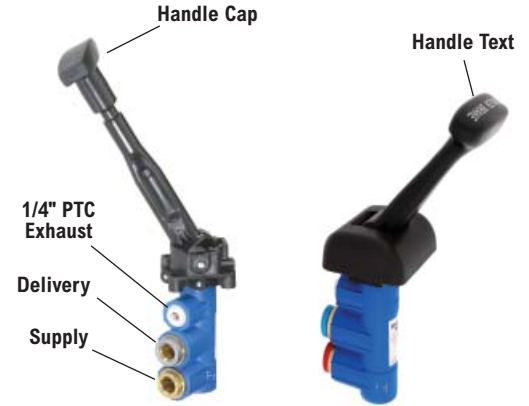


Service New Pc. No.	Comments	Handle Travel	Final Delivery Pressure	Ports*
101860	Positioning	71° CW	Reservoir	1/4" PT
102394N	Self returning	71° CW	Reservoir	1/4" PT
102707	Positioning	50° CW	80 psi	1/4" PT
108233N	Self returning	50° CW	80 psi	1/4" PT
800960	Positioning	71° CW	Reservoir	3/8" PTC
802672	Self returning	71° CW	Reservoir	3/8" PTC

\*PTC - Push To Connect Fittings

## TCS-9000™ Control Valve

Service New Pc. No.	Supply	Delivery	Comments	Handle Text
802033	3/8"	3/8"	Self-returning	No Handle Cap
K031988	3/8"	3/8"	Self-returning	No Handle Cap
K024944	1/4"	1/4"	Self-returning	Rear Brake
K024946	3/8"	3/8"	Self-returning	Trailer Brake
K024947	3/8"	3/8"	Self-returning	Rear Brake
K024948	3/8"	3/8"	Positioning	Trailer Brake - Not for Parking



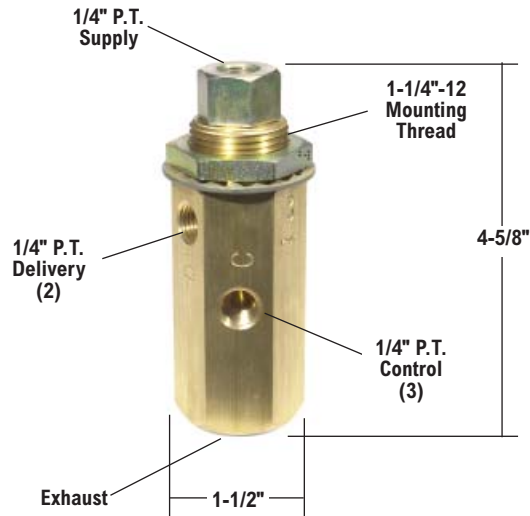
\*PTC - Push To Connect Fittings

## TR-2™ Inversion Valve

- Available Remanufactured Exchange
- Maintenance Kit 281138N

V.M.R.S. 13-010-047

**NOTE:** With 125 P.S.I. supply pressure, valve must begin to exhaust at 65 P.S.I. nominal ascending control pressure. Valve must deliver full supply pressure with 40 P.S.I. nominal descending control pressure.



Reman. Exch. Pc. No.	Service New Pc. No.
277340RX	277340N

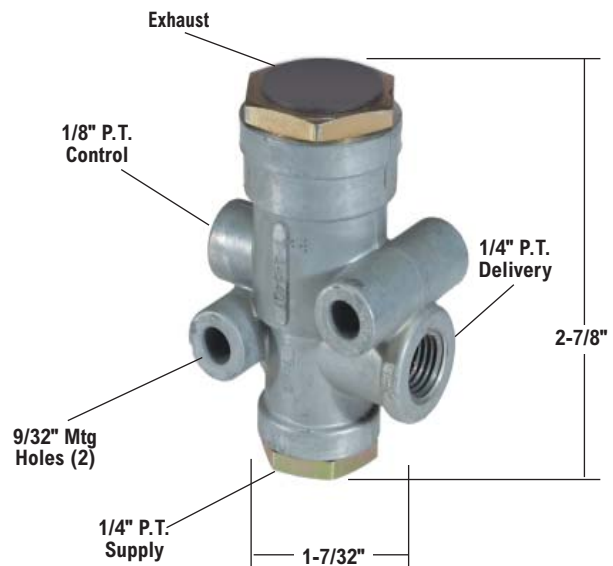
## TR-3™ Inversion Valve

- Available Remanufactured Exchange

V.M.R.S. 13-010-047

**NOTE:** With common control & supply pressure, inlet opens at "A" P.S.I. descending pressure and exhaust opens at "B" P.S.I. ascending pressure.

Reman. Exch. Pc. No.	Service New Pc. No.	A PSI	B PSI
--	280758N	45	60
281318RX	281318N	35	70
281459RX	281459N	25	40
*101450RX	*101450N	25	40



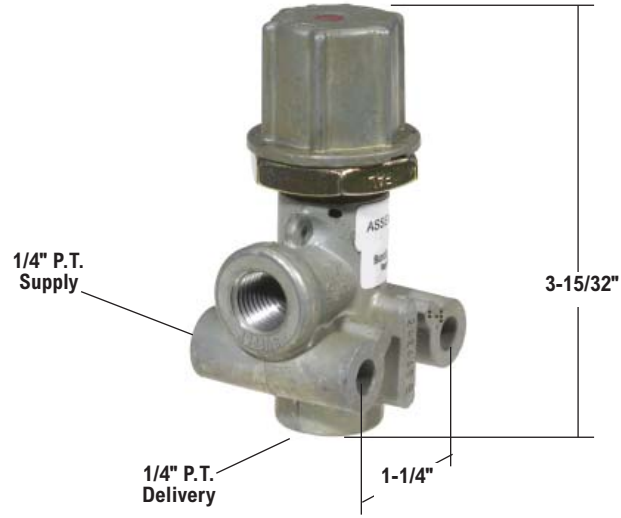
\*Special Duty-Bus Application

## PR-2™ Pressure Protection Valve

V.M.R.S. 13-010-044

With Adjustable Pressure Setting.

Reman. Exch. Pc. No.	Service New Pc. No.	Nominal Closing Pressure P.S.I.	Comments
277147RX	277147N	65	
277148RX	277148N	85	
-	277222N	95	
277226RX	277226N	60	
-	277227N	75	
-	279505N	65	w/lockwire
-	281467N	50	-
-	282517N	60	w/lockwire



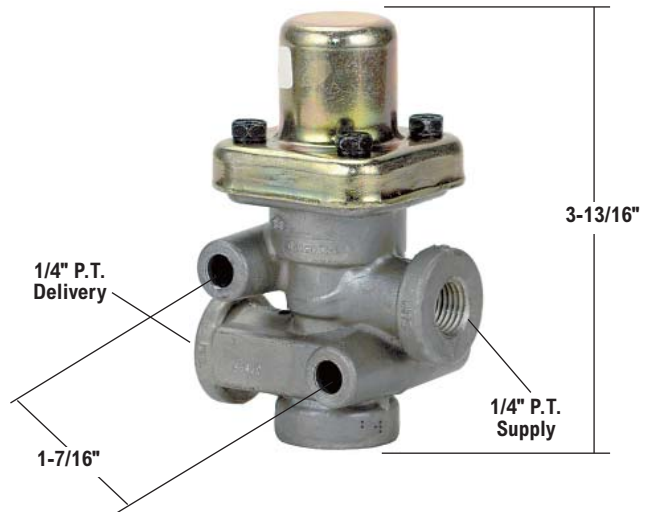
## PR-4™ Pressure Protection Valve

• Maintenance Kit Pc. No. 287366 (Note: Not for use with Pc. No. 103976N)

V.M.R.S. 13-010-044

Fixed Pressure Setting.

Reman. Exch. Pc. No.	Service New Pc. No.	Nominal Closing Pressure	Supply & Delivery Ports
286500RX	286500N	85 P.S.I.	1/4"
288323RX	288323N	70 P.S.I.	1/4"

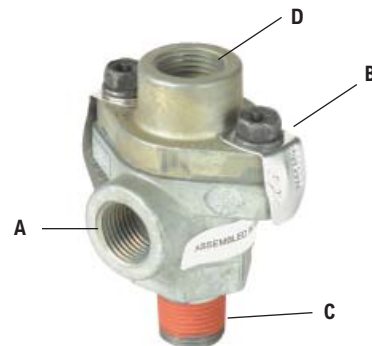


## Double Check Valves

V.M.R.S. 13-010-092



Service New Pc. No.	Pipe Thread Dimensions		
	A	B	C
278614N	3/8"	3/8"	3/8"
278615N	1/4"	1/4"	1/4"

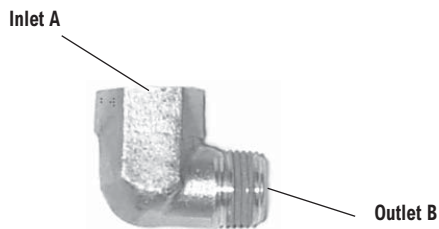
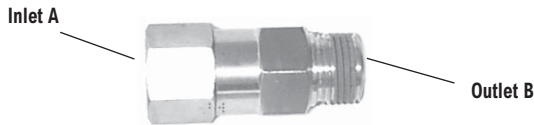
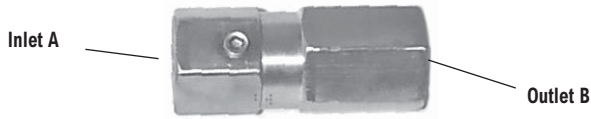


Service New Pc. No.	Pipe Thread Dimensions			
	A	B	C	D
278595N	1/4"	1/4"	1/2"	1/4"
278596N	3/8"	3/8"	1/2"	1/4"
278597N	1/4"	1/4"	3/8"	1/4"
278598N	3/8"	3/8"	3/8"	1/4"
280809N	3/8"	3/8"	3/8"	3/8"

## Single Check Valves

• SC-3™ valves replace both the SC-1™ and SC-2™ valves

V.M.R.S. 13-010-013



Single Check Valve: Female inlet – Female outlet		
A	B	Service New Pc. No.
1/4"	1/4"	801144
1/2"	1/2"	800370
3/4"	3/4"	800369

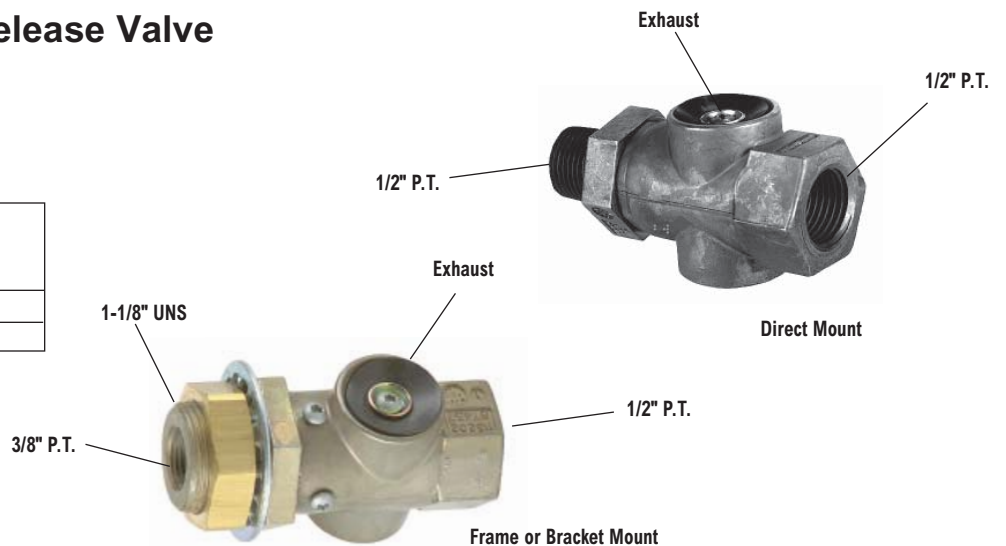
Single Check Valve: Female inlet – Male outlet		
A	B	Service New Pc. No.
1/4"	1/8"	800374
1/4"	1/4"	800375
3/8"	3/8"	800373
1/2"	1/2"	800372

Single Check Valve: Female inlet – Male outlet		
A	B	Service New Pc. No.
1/2"	1/2"	800376

## QR-L™ Inline Quick Release Valve

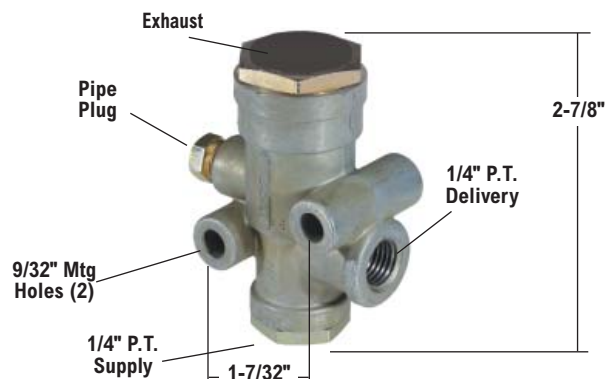
V.M.R.S. 13-010-008

Service New Pc. No.	Comments
800332	Frame or Bracket Mount
800333	Direct Mount



## RV-3™ Pressure Reducing Valve

Service New Pc. No.	Delivery Pressure
101837N	85 psi
107154N	44 psi





## QRN-2™ Quick Release Valve

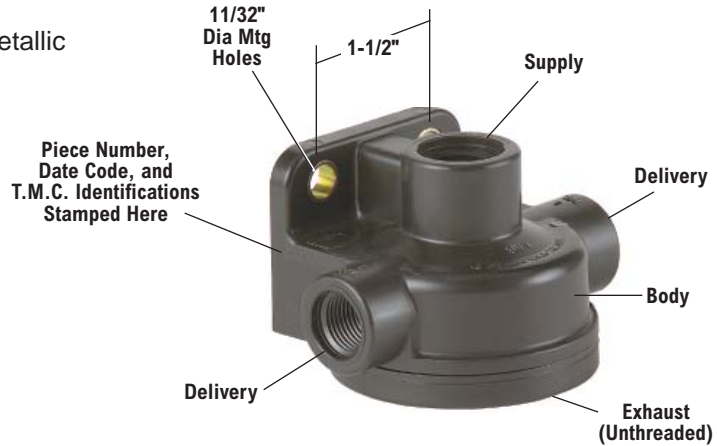
The QRN-2™ quick release valve is a lightweight, nonmetallic quick release valve.

Supply port: 1/2" or 3/8"

V.M.R.S. 13-010-008

Service New Pc. No.	Supply Port	Delivery Ports	Crack Pressure
800063	1/2" NPT	3/8" NPT	0 PSI
800064	3/8" NPT	3/8" NPT	0 PSI
800219	1/2" PTC	1/2" PTC	0 PSI

PTC - Push-to-connect fittings

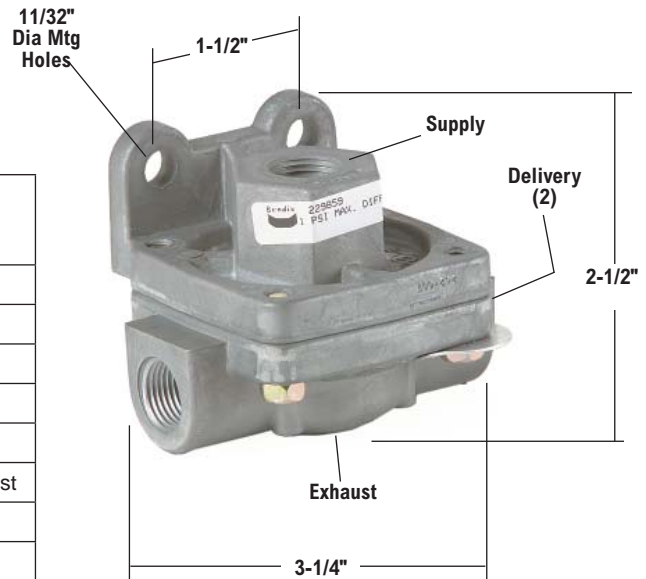


## QR-1® Quick Release Valve

- Available Remanufactured Exchange
- Use maintenance kit piece no. 260519 to convert 0 PSI crack pressure valves to 1 PSI

V.M.R.S. 13-010-008

Reman. Exch. Pc. No.	Service New Pc. No.	Supply Port (PT)	Delivery Ports (PT)	Crack Pressure	Comments
229813RX	229813N	3/8"	1/4"	0 PSI	
229844RX	229844N	1/2"	1/4"	0 PSI	
229859RX	229859N	3/8"	3/8"	0 PSI	
229860RX	229860N	1/2"	3/8"	0 PSI	
281024RX	281024N	1/4"	1/4"	0 PSI	
288251RX	288251N	3/8"	3/8"	0 PSI	3/8" PT Exhaust
278483RX	278483N	1/2"	3/8"	5-8 PSI	
-	102344N	3/8"	3/8"	10-16 PSI	
289525RX	289042N	3/8"	1/4"	1 PSI max	w/ insert
289525RX	289525N	3/8"	3/8"	1 PSI max	w/ insert

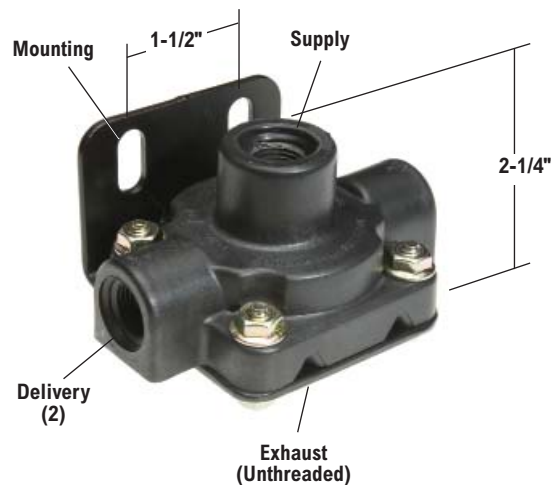


## QRN™ Quick Release Valve

- Maintenance Kit 104463

V.M.R.S. 13-010-008

Service New Pc. No.	Supply Port	Delivery Port	Crack Press	Mounting
802745	1/2"	3/8"	1 PSI Max	.34 holes
802743	3/8"	3/8"	1 PSI Max	.34 holes
802741	3/8"	3/8"	5-8 PSI	.34 holes
802744	3/8"	3/8"	1 PSI Max	.34 x .75 slots
065213	3/8"	3/8"	4.5-7.5 PSI	.34 x .75 slots
065214	3/8"	3/8"	2-4.5 PSI	.34 x .75 slots
802742	1/2"	3/8"	5-8 PSI	.34 holes
065311	1/2"	3/8"	4.5-7.5 PSI	.34 x .75 slots
065347	1/2"	3/8"	2-4.5 PSI	.34 x .75 slots
800439	1/2"	3/8"	2-4.5 PSI	-

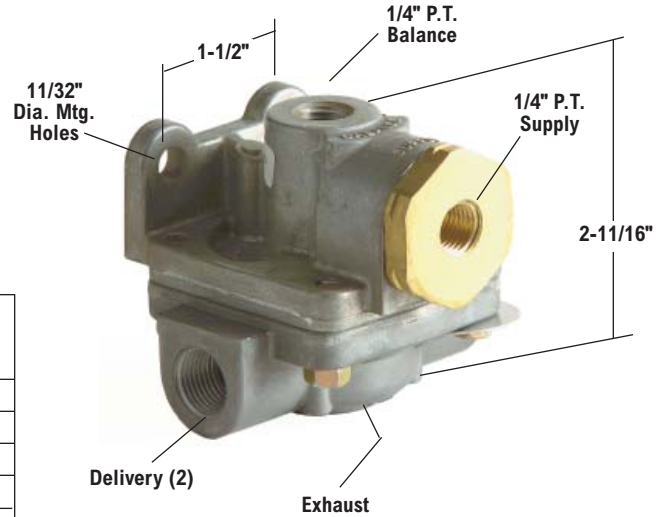


## QR-1C® Quick Release Valve

- Available Remanufactured Exchange
- Use maintenance kit piece no. 260519 to convert 0 PSI crack pressure valves to 1 PSI

V.M.R.S. 13-010-008

Reman. Exch. Pc. No.	Service New Pc. No.	Delivery P.T. Size	Exhaust P.T. Size	Crack Pressure
289182RX	289182N	1/4"	–	0 PSI
289714RX	289714N	3/8"	–	0 PSI
–	107881N	3/8"	1/2" w/ Silencer	0 PSI
–	800539	3/8"	–	1 PSI Max
–	109094N	3/8"	–	5-8 PSI

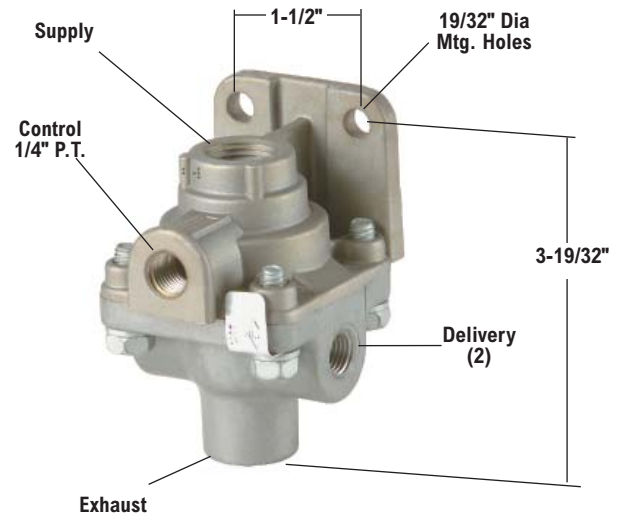


## LQ-2™ Limiting and Quick Release Valve

- Available Remanufactured Exchange
- Maintenance Kit 282098N

V.M.R.S. 13-010-008

Reman. Exch. Pc. No.	Service New Pc. No.	Supply Pipe Thread	Delivery Pipe Thread	Exhaust Pipe Thread
229505RX	229505N	3/8"	3/8"	–
229507RX	229507N	1/2"	1/4"	–
229509RX	229509N	3/8"	1/4"	–
288417RX	288417N	3/8"	3/8"	3/8"

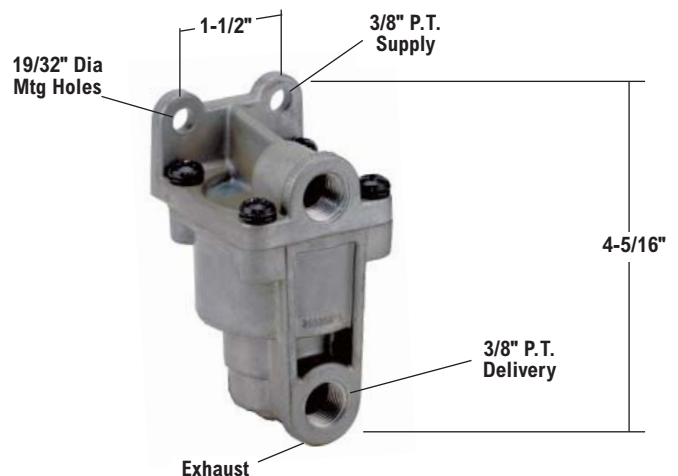


## LQ-4™ Front Axle Ratio Valve

- Available Remanufactured Exchange
- Maintenance Kit 289500N

V.M.R.S. 13-010-034

Reman. Exch. Pc. No.	Service New Pc. No.	Nominal Hold Off Pressure	Nominal Equalizing Pressure
101311RX	101311N	20	70
289144RX	289144N	4	60
289148RX	289148N	10	65

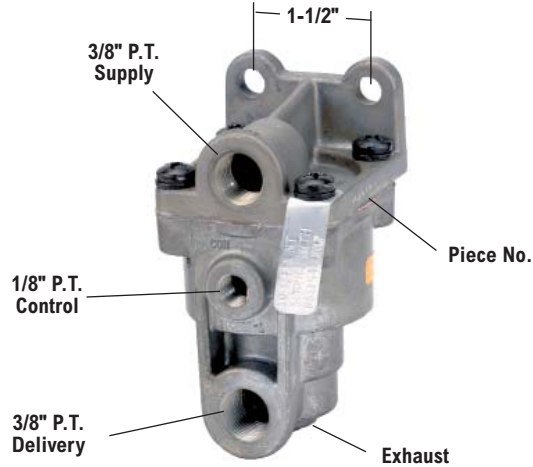


## LQ-5™ Bobtail Limiting Valve

- Available Remanufactured Exchange
- Maintenance Kit 107195

V.M.R.S. 13-010-010

Reman. Exch. Pc. No.	Service New Pc. No.
065154RX	065154



## BP-1™ Air Brake Proportioning Valve

- BP-1™ Air Brake Proportioning Valve Front Maintenance Kit 104710
- BP-1™ Air Brake Proportioning Valve Rear Maintenance Kit 104711

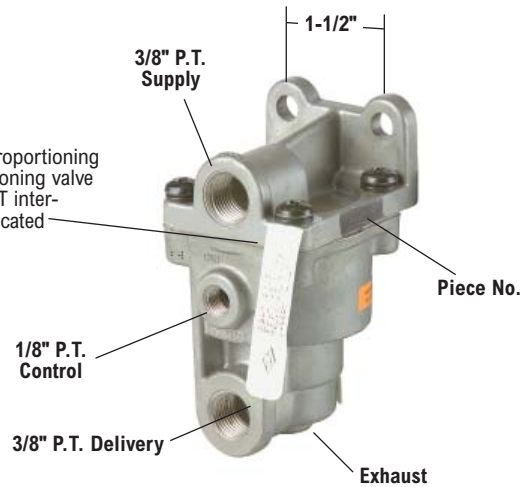
V.M.R.S. 13-010-222

Front Service New Pc. No.	Nominal Hold Off Press (PSI)	Nominal Equalizing Pressure (PSI)
104598N	4	50

V.M.R.S. 13-010-222

Rear Service New Pc. No.	Nominal Inshot Pressure (PSI)	Nominal Equalizing Pressure (PSI)
106284	8	105

**Caution:** The BP-1™ front air brake proportioning valve & BP-1™ rear air brake proportioning valve are similar in appearance but are NOT interchangeable. Note identification tag located



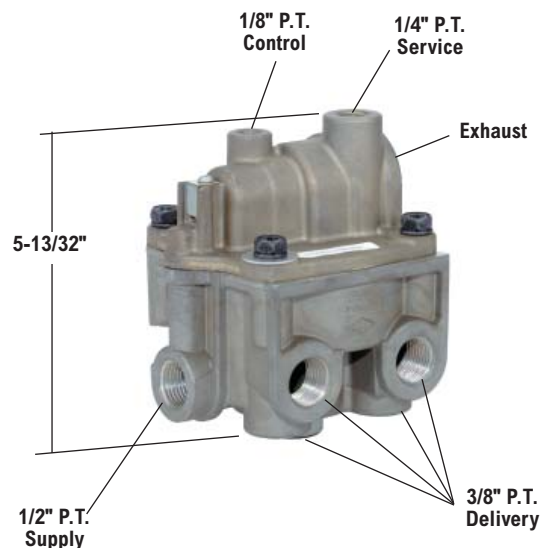
- Field Installation Kit **209924** (vehicles **with** front axle limiting)

## BP-R1® Bobtail Brake Proportioning Relay Valve

- Maintenance Kit 106932
- Universal Mounting Bracket 296010N furnished with Exchange Valve

V.M.R.S. 13-010-222

Reman. Exch. Pc. No.	Service New Pc. No.	Crack Pressure
065145RX	065145N	4
065146RX	065146N	5.5



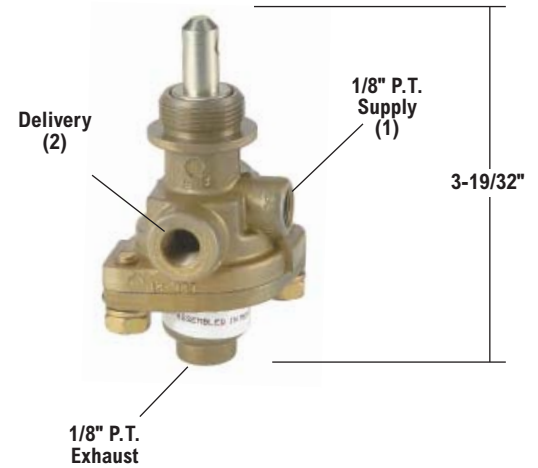
## PP-1® Control Valve

- Available Remanufactured Exchange
- Maintenance Kit 281126N
- Button and Mtg. Nut not furnished with Exchange Valve
- Refer to Master Parts Catalog for Button or Dial Plate Pc. No.

V.M.R.S. 13-010-016

Reman. Exch. Pc. No.	Service New Pc. No.	Automatic Release Pressure	Delivery P.T.
276566RX	276566N	20 PSI	1/8"
276567RX	276567N	40 PSI	1/8"
278450RX	278450N	—	1/8"
*281587RX	—	40 PSI	1/8"
283828RX	283828N	60 PSI	1/8"
287417RX	287417N	30 PSI	1/4"
287600RX	287600N	40 PSI	1/4"

\*Remote controlled

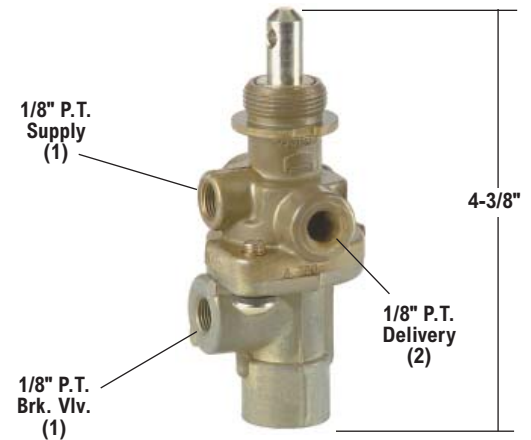


## PP-2™ Control Valve (Pressure Balanced)

- Available Remanufactured Exchange
- Maintenance Kit 281127N
- Button and Mtg. Nut not furnished with Exchange Valve
- Refer to Master Parts Catalog for Button or Dial Plate Pc. No.

V.M.R.S. 13-010-104

Reman. Exch. Pc. No.	Service New Pc. No.	Automatic Release Pressure
276462RX	276462N	40 PSI



## PP-3™ Control Valve (Automatic Tripper)

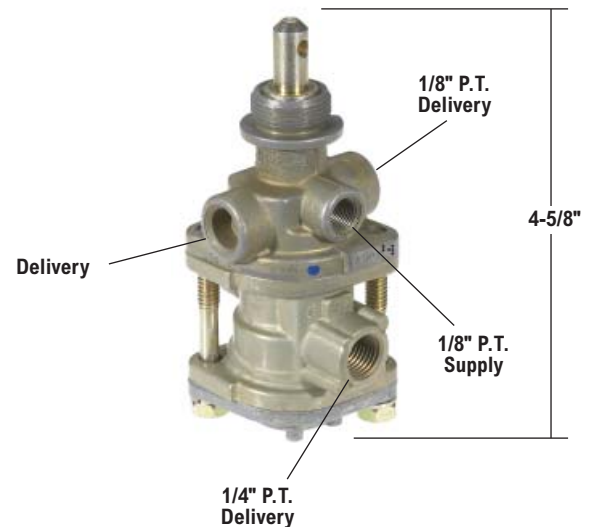
- Available Remanufactured Exchange
- Maintenance Kit 280857N
- Button and Mtg. Nut not furnished with Exchange Valve
- Refer to Master Parts Catalog for Button or Dial Plate Pc. No.

V.M.R.S. 13-010-016

Reman. Exch. Pc. No.	Service New Pc. No.	Delivery P.T.
†*279787RX	†*279787	None
288746RX	288746N	None
289477RX	289477	1/8"
*289512RX	—	1/8"

Tripper Exhausts at 30 P.S.I. & Charges above 50 P.S.I. Plunger Trips at 40 P.S.I. and Charges Manually.

\*Remote Controlled  
†Mtg. Nut Furnished

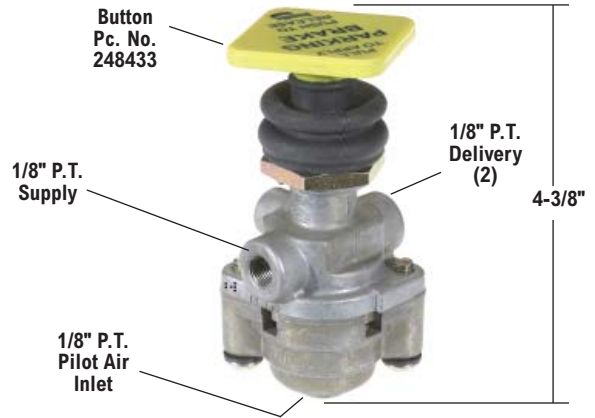


## PP-5™ Control Valve (With Pilot Air Release)

- Maintenance Kit 281949
- Button is Furnished with Valve Pc. No. 284744N
- Refer to Master Parts Catalog for additional Buttons.

V.M.R.S. 13-010-104

Service New Pc. No.	Automatic Release Pressure
281946N	40 PSI
284744N	Manual



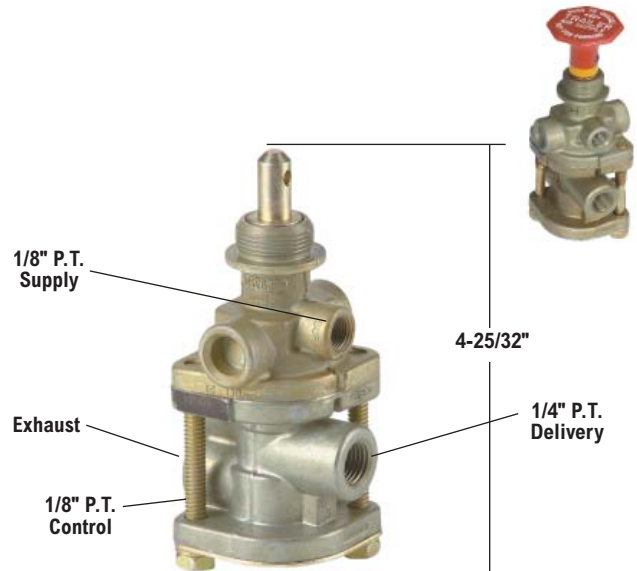
## PP-7™ Trailer Supply Valve

- Available Remanufactured Exchange
- Maintenance Kit 287367
- Button and Mtg. Nut not furnished with Exchange Valve
- Refer to Master Parts Catalog for Button or Dial Plate Pc. No.

V.M.R.S. 13-010-016

Reman. Exch. Pc. No.	Service New Pc. No.	Comments
288239RX	288239N	-
288241X	106113	1/4" P.T. Exhaust
288242RX	288242	Remote Controlled

Automatic Release Pressure 40 PSI



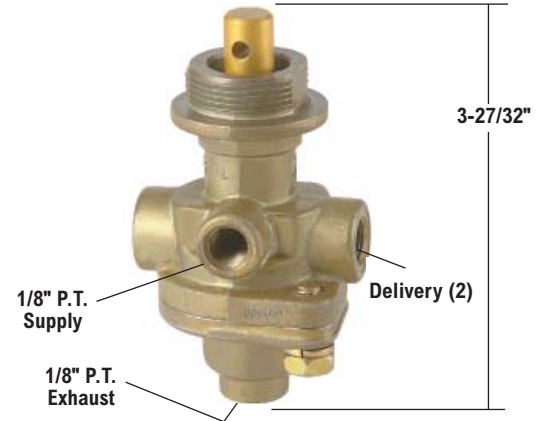


## PP-8™ Control Valve

- Available Remanufactured Exchange
- Button and Mounting Nut not Furnished with Exchange Valve
- Refer to Master Parts Catalog for Button or Dial Plate Pc. No.

V.M.R.S. 13-010-104

Reman. Exch. Pc. No.	Service New Pc. No.	Delivery P.T.
287238RX	287238N	1/8"
287418RX	287418N	1/4"



## E-Z-Grip® Soft Button Cover

Service New Pc. No.	Button Shape	Description
801526	◇	Fits MV-3®/PP-DC® Valve Style
801593	◇	Fits PP-1® Valve Style
802123	○	Fits PP-7™ Valve Style
802124	○ and ◇	Contains both MV-3® Button Covers



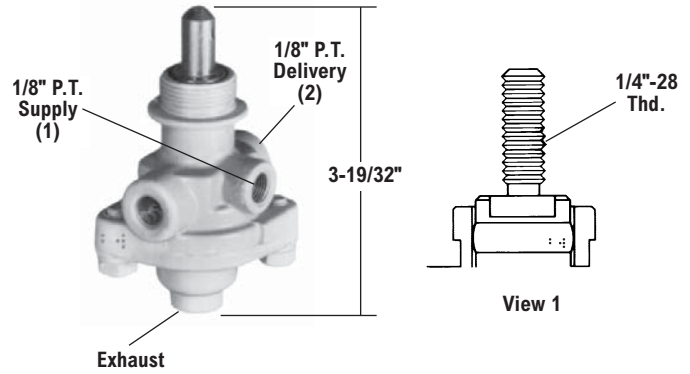
Button not included

## RD-3™ Push Type Control Valve

- Available Remanufactured Exchange
- Maintenance Kit 281126N
- Button not furnished with Exchange Valve, Roll Pin Furnished
- Refer to Master Parts Catalog for Button or Dial Plate Pc. No.

V.M.R.S. 13-010-104

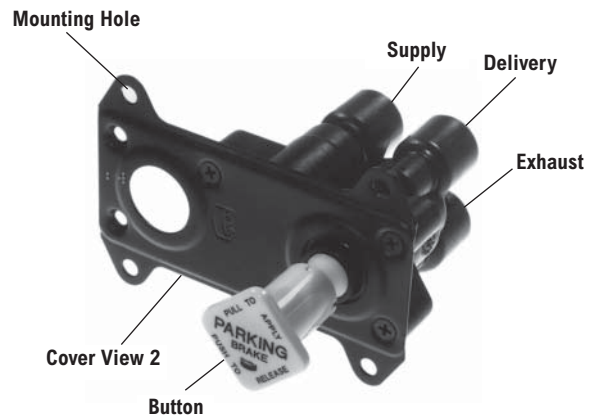
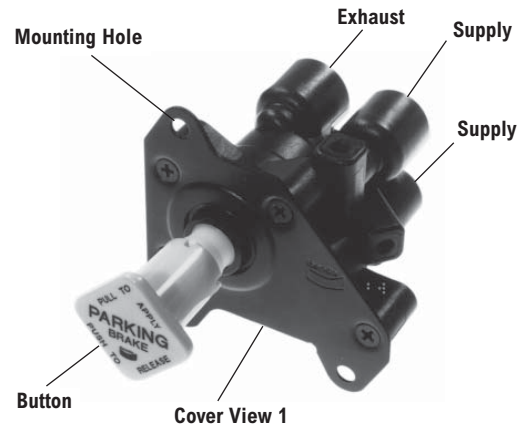
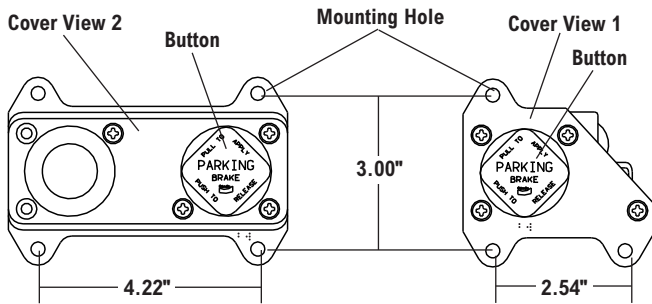
Service New Pc. No.	Comments
286211N	-
104644	See View 1



## PP-DC® Control Valve

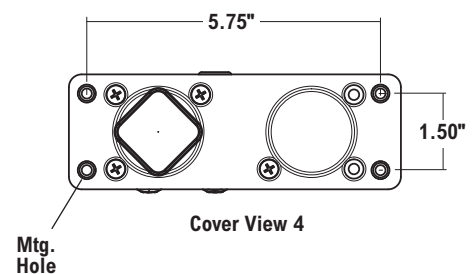
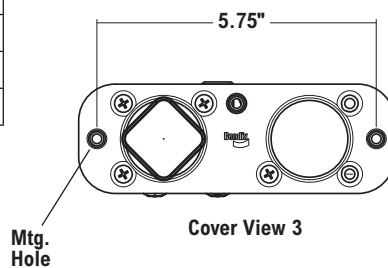
- Maintenance Kit 5006939

V.M.R.S. 13-101-017



Service Pc. No.	Cover View	Mounting Holes	Port Type
065643	2	.27" Dia.	3/8" PTC
065661	1	1/4-20 Thread	3/8" PTC
065690	1	.27" Dia.	3/8" PTC
800034	2	.27" Dia	1/4" NPT
800142	1	1/4-20 Thread	1/4" NPT
800309	3	M6 x 1-6H	3/8" PTC
800620	4	M8 x 1-6H	3/8" PTC
800841	2	M6 x 1-6H	3/8" PTC
801315	2	.27" Dia	3/8" PTC Elbow

\*PTC - Push To Connect Fittings



## MV-2™ Control Module

- Buttons are not supplied with Spool Inserts. Refer to Master Parts Catalog for Button Pc. Nos.
- Maintenance kit for dual circuit supply valve is Pc. No. 101557.



V.M.R.S. 13-010-112

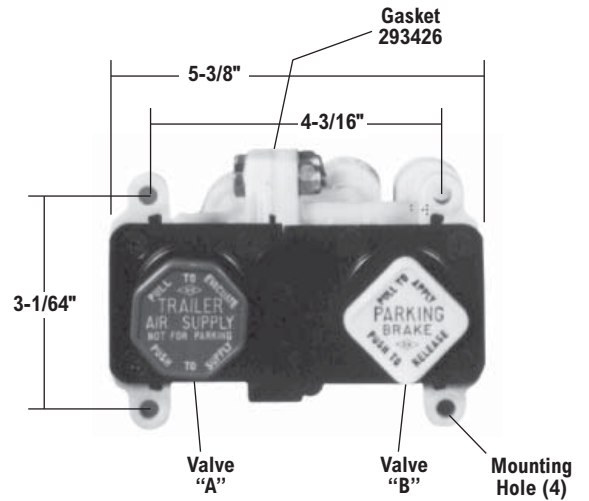
Service New Pc. No.	Mounting Hole
101437N	.27" Dia.
101890N	1/4-20 Thread
102027N	#10-24 Thread



Valve "A"  
Spool Assy.  
101569



Valve "B"  
Spool Assy.  
101570

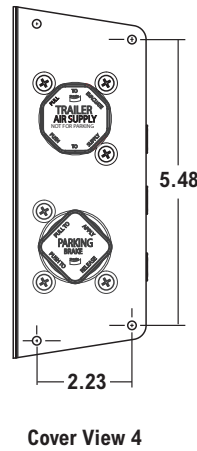
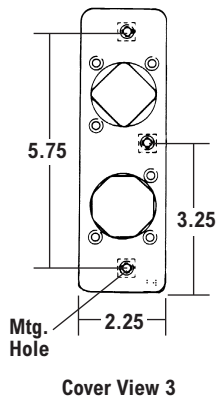
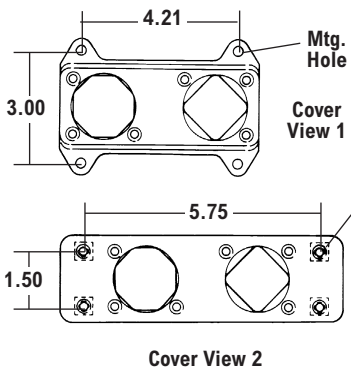
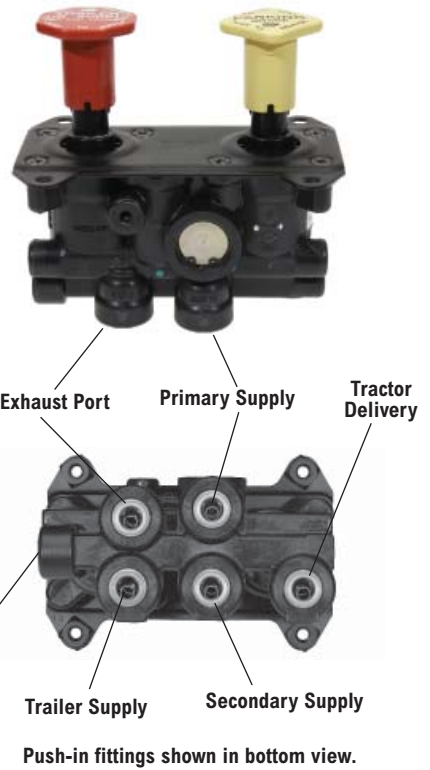
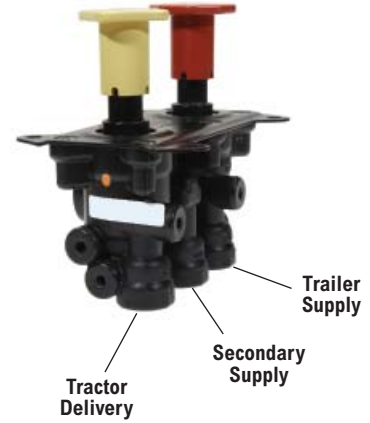


## MV-3® Control Module

- Maintenance Kit 5002741
- Shuttle Kit 5002742

V.M.R.S. 13-010-112

Service New Pc. No.	Replaces	Cover View	Mounting Hole	Auxiliary Port	Port Type
800257	065523	1	.27" Dia.	–	3/8" PTC
800259	800036	1	1/4-20 Thread	–	3/8" PTC
800260	–	1	M5 x .8-6H Thread	–	3/8" PTC
800445	–	2	.27" Dia.	–	1/4" NPT
800516	065157	1	.27" Dia.	–	1/4" NPT
	065697				
800517	065159	2	M6 x 1-6H Thread	–	1/4" NPT
	065379				
800518	065160	1	.27" Dia.	1/8" NPT	1/4" NPT
800519	065186	1	1/4-20 Thread	–	1/4" NPT
800521	065192	3	1/4-20 Thread	–	3/8" PTC
800522	065208	1	M6 x 1-6H Thread	1/8-27	3/8" PTC
800523	065248	1	#10-24 Thread	–	3/8" PTC
800573	065187	1	1/4-20 Thread	–	3/8" PTC Elbow
801631	–	4	.20" Dia	–	3/8" PTC Elbow

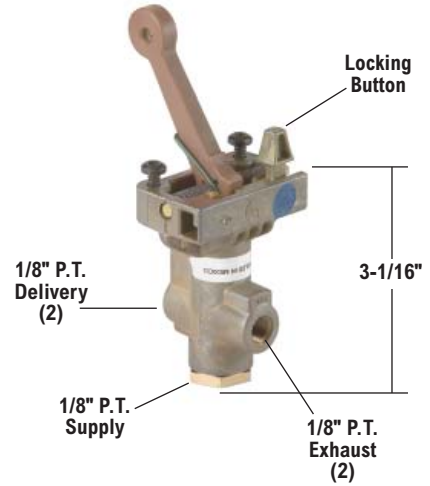


## TC-4™ Modulating Control Valve (With Lever Latch)

- Available Remanufactured Exchange
- Dial Plate not furnished with Exchange Valve
- Refer to Master Parts Catalog for Dial Plate Pc. No.

V.M.R.S. 13-010-104

Reman. Exch. Pc. No.	Service New Pc. No.	Locking Button Position	Delivery Pressure P.S.I.	Comments
282368RX	282368N	LEFT	86-100	–
–	282382N	LEFT	86-100	Includes Dial Plate





## TW-1™ Control Valve

- Available Remanufactured Exchange
- Dial Plate not furnished with Exchange Valve
- Refer to Master Parts Catalog for Dial Plate Pc. No.

V.M.R.S. 13-016-016

Reman. Exch. Pc. No.	Service New Pc. No.	Lever Mat'l and Finish
228729RX	228729N	Zinc-Chrome
229635RX	229635N	Steel-Chrome
277516RX	277516N	Nylon-Black

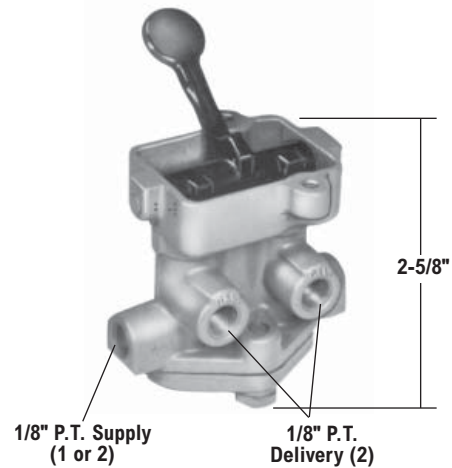


## TW-2™ & TH-3™ Control Valve

(TW-2™ Control Valve Two Lever Positions)  
 (TH-3™ Control Valve Three Lever Positions)

- Available Remanufactured Exchange
- Maintenance Kit 282391
- Dial Plate Not Furnished with Exchange Valve
- Refer to Master Parts Catalog for Dial Plate Pc. No.

Service New TW-2™ Control Valve Pc. No.	Service New TH-3™ Control Valve Pc. No.	Lever
280905N	280904N	Centering
	281560N	Positioning

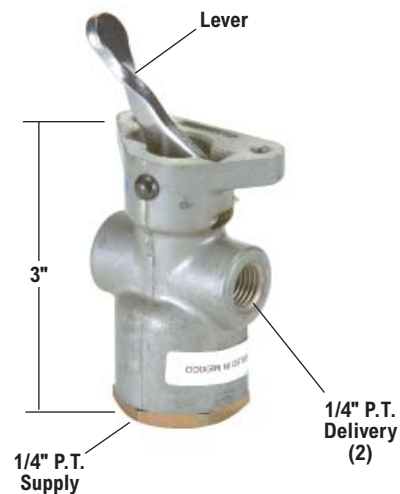


## TW-3™ Control Valve

- Available Remanufactured Exchange
- Dial Plate Not Furnished with Exchange Valve
- Refer to Master Parts Catalog for Dial Plate Pc. No.

V.M.R.S. 13-010-016

Reman. Exch. Pc. No.	Service New Pc. No.	Lever Mat'l.
225892RX	225892N	Zinc
228762RX	228762N	Steel
283040RX	283040N	Steel

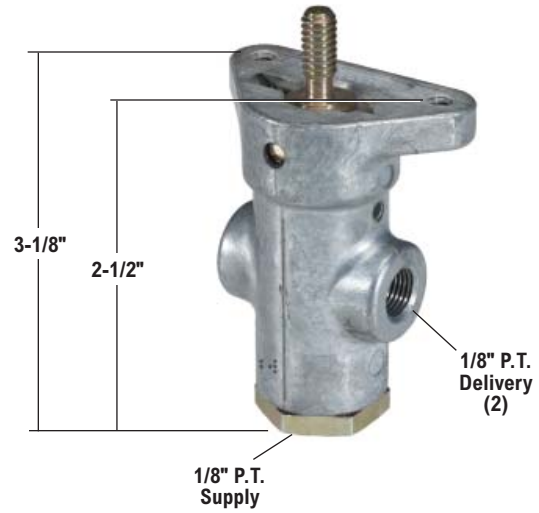


## TW-4™ Control Valve

- Available Remanufactured Exchange
- Refer to Master Parts Catalog for Button Pc. No.

V.M.R.S. 32-004-007

<b>Service New Pc. No.</b>
276635N

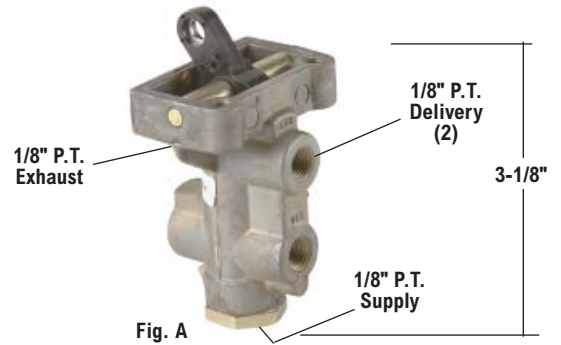
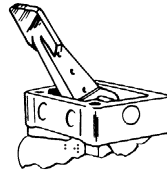


## TW-11™ Control Valve

- Used in conjunction with the HR-1™ Hydraulic Relay Valve.

Service New Pc. No.	Configuration
065356	Fig. B
065316	Fig. A

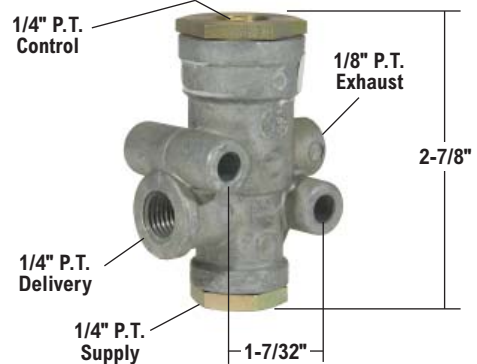
Fig. B



## SV-1™ Synchronizing Valve

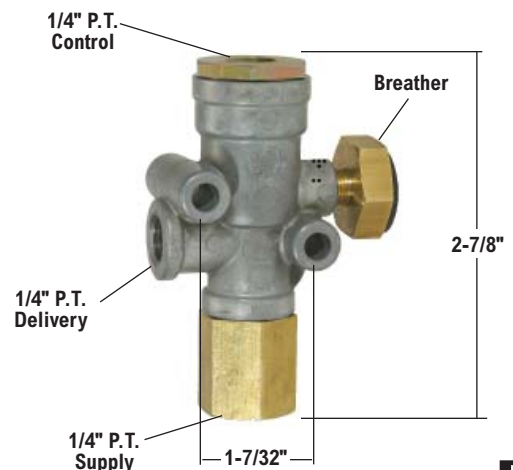
Service New Pc. No.	A PSI	B PSI
278825N	42	28
282472N	21	11
283700N	62	50

With Common Control & Supply Pressure, Inlet Opens at A and Exhaust Opens at B



## SV-4™ Trailer Release Valve

Service New Pc. No.	Breather Valve Size/Shape
108769	1" Hex
109149	9/16" 12 point



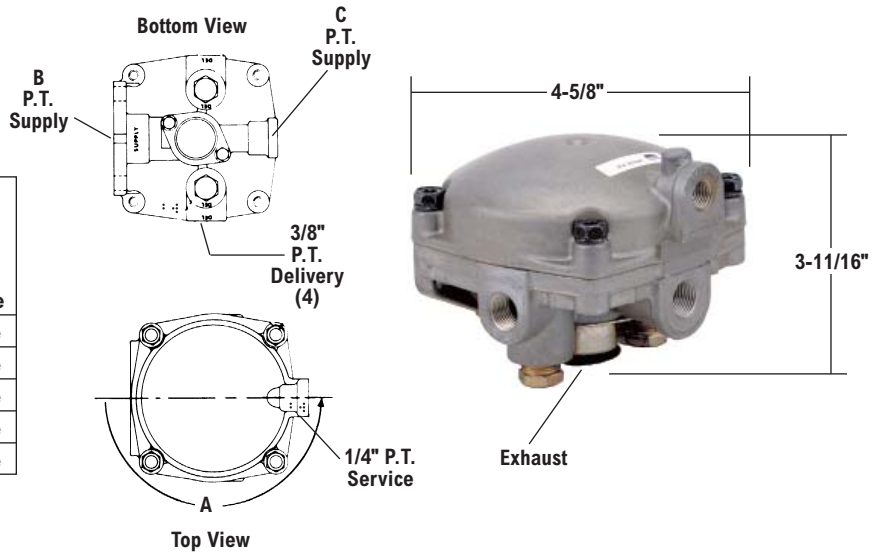
## R-6™ Relay Valve

- Available Remanufactured Exchange
- Maintenance Kit 280856N

V.M.R.S. 13-010-009

Reman. Exch. Pc. No.	Service New Relay Valve Pc. No.	A Degrees Service Port Angle	B P.T.	C P.T.	Mtg. Flange
—	279180N	180	—	3/8"	2 Hole
279952RX	279952N	180	3/4"	3/8"	2 Hole
280375RX	280375	90	—	1/2"	2 Hole
279952RX	*280651N	180	3/4"	3/8"	2 Hole
283940RX	283940N	270	3/8"	3/8"	4 Hole

\*Pipe Plugs & Gasket Attached  
Crack Pressure 2 P.S.I.

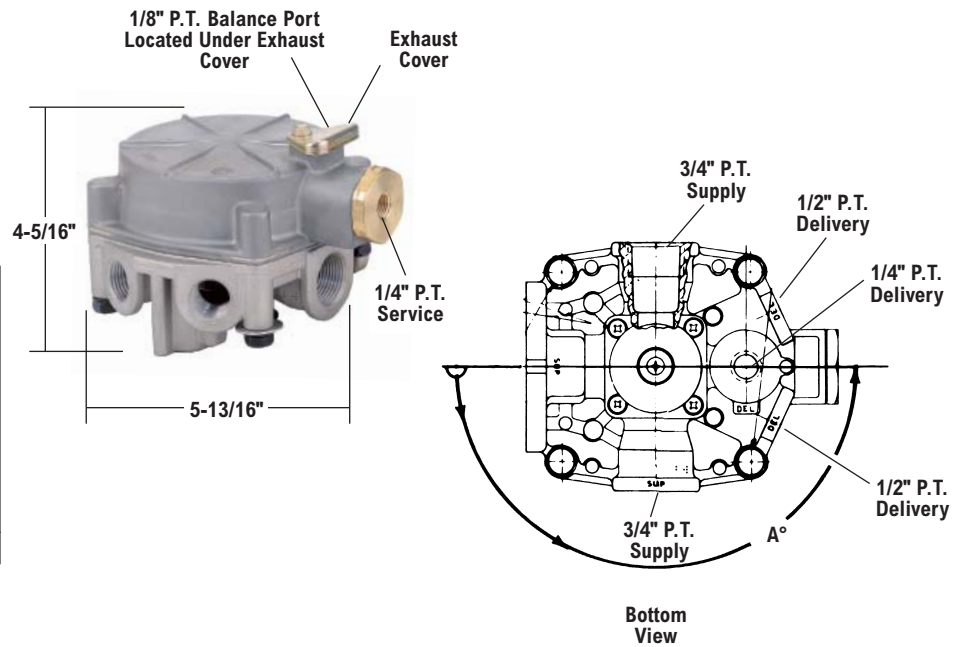


## R-8™ Relay Valve

- Available Remanufactured Exchange
- Maintenance Kit 287370N

V.M.R.S. 13-010-009

Reman. Exch. Pc. No.	Service New Pc. No.	A Service Port Location (Degree)	Comments
286370RX	286370N	90	
286371RX	286371N	90	No Exh. Cover
287260RX	287260N	180	No Exh. Cover
288369RX	288369N	180	
288781RX	288781	180	Waterproof

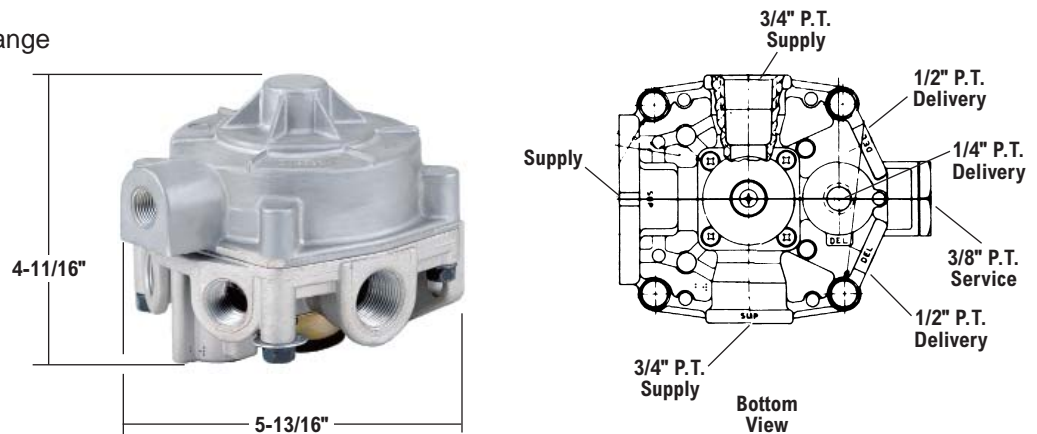


## R-8P™ Relay Valve

- Available Remanufactured Exchange
- Maintenance Kit 103799

V.M.R.S. 13-010-009

Reman. Exch. Pc. No.	Service New Pc. No.	Comments
287114RX	287114N	—



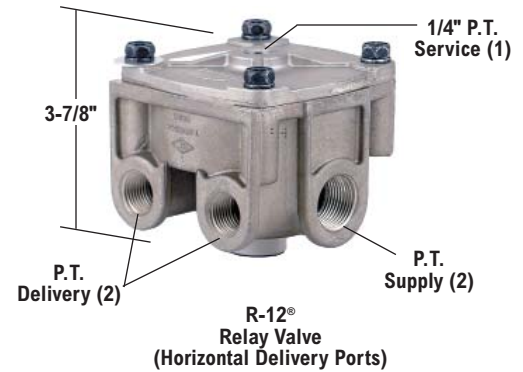
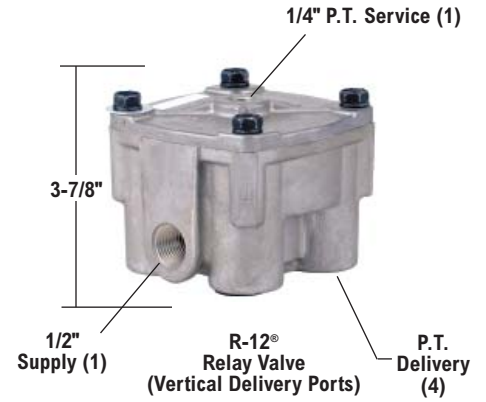
## R-12® Relay Valves

- Available Remanufactured Exchange
- All Universal R-12® and R-14® Relay Valves Include Installation Instructions and a Universal Mounting Bracket as indicated.
- Field maintenance kit for R-12® and R-14® Relay Valves is Pc. No. 102802N.

V.M.R.S. 13-010-009

### Vertical Delivery Ports

Reman. Exch. Pc. No.	Service New Pc. No.	Crack Pressure (P.S.I.)	Delivery Port Size (P.T.)	Maint. Kit	Mounting Bracket
5003365X	065104	4	3/8"	102802N	296010N
-	065181	5.5	1/2"	102802N	296010N
102626RX	102626N	4	1/2"	102802N	296010N
103912RX	103912	7.5	1/2"	102802N	296010N
104561RX	-	5.5	3/8"	102802N	296010N
-	*800365	4	3/8"	102802N	296010N



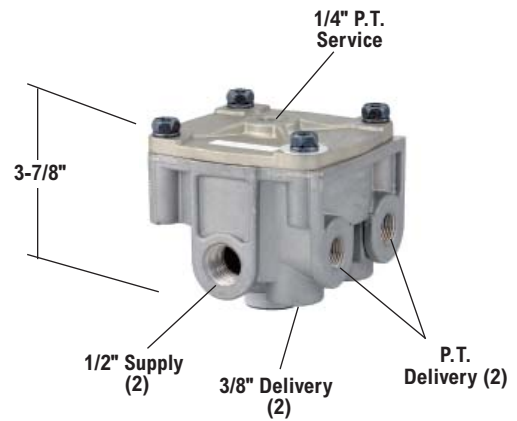
### Horizontal Delivery Ports

Reman. Exch. Pc. No.	Service New Pc. No.	Crack Pressure (P.S.I.)	Supply Port Size (P.T.)	Maint. Kit	Mounting Bracket	Delivery (P.T.)
-	065125	5.5	1/2"	102802N	296010N	1/2"
-	065309	4	1/2"	102802N	296010N	1/2"
-	065546	4	1/2"	109523	296010N	1/2"
103009RX	103009N	4	3/4"	102802N	296010N	1/2"
104165RX	-	7.5	3/4"	102802N	296010N	1/2"
-	800238	4	3/4"	102802N	N/A	1/2"
-	800305	4	1/2"	5002831	296010N	1/2"
-	*800366	5.5	1/2"	5004029	296010N	3/8"
-	*800365	4	1/2"	5004029	296010N	1/2"

\*Self draining piston

### R-12® Relay Valve Vert. (2) & Horizontal Delivery Ports

Service New Pc. No.	Crack Pressure (P.S.I.)	Delivery Port Size (P.T.)	Maint. Kit	Mounting Bracket
065206	5.5	3/8"	102802N	296010N
065303	4	3/8"	102802N	296010N
800095	4	3/8"	102802N	102846N**
800441	5.5	3/8"	102802N	102846N**
800483	5.5	1/2"	102802N	N/A
800484	5.5	1/2"	102802N	296010N
800485	4	1/2"	102802N	N/A
800486	4	1/2"	102802N	296010N
800508	5.5	1/2"	102802N	N/A



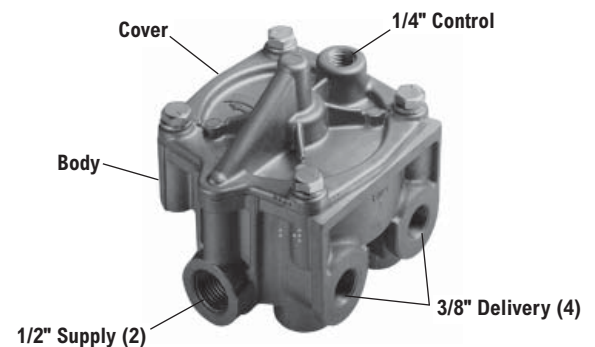
\*\*Mounting bracket 102846N includes two 5/16" mounting studs.

## R-12P™ Pilot Relay Valve

- Available Remanufactured Exchange
- Universal Mounting Bracket 296010 included
- Field Maintenance Kit 109265

V.M.R.S. 13-010-009

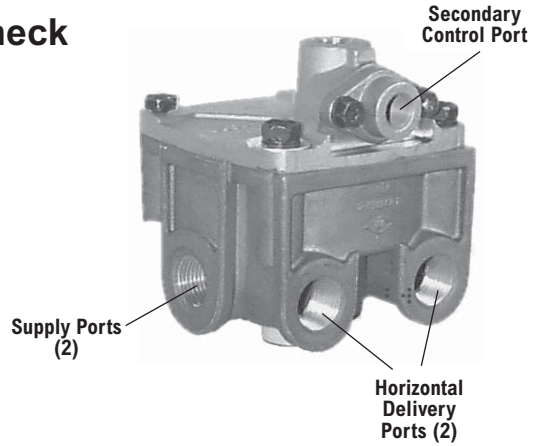
Service New Pc. No.	Reman. Exch. Pc. No.
065476	109264X



## R-12DC® Relay Valve with Biased Double Check

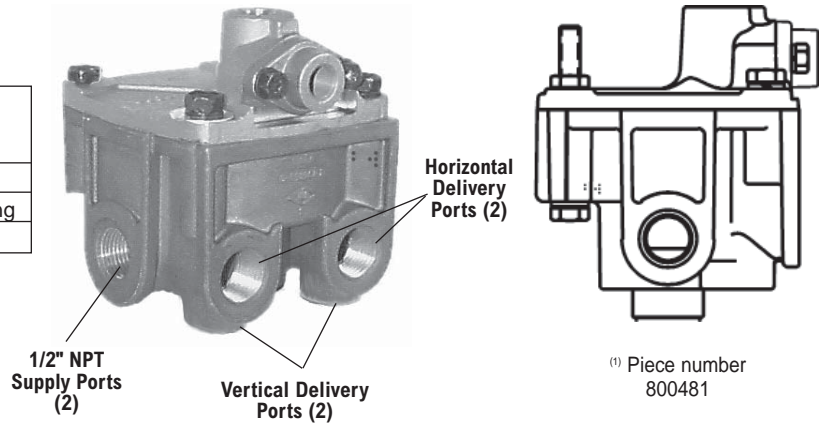
### R-12DC® Relay Valve with 2 Horizontal Delivery Ports

Service New Pc. No.	Crack Pressure PSI	Supply Ports NPT	Delivery Ports NPT	Bracket Pc. No. (Included)
800470	4	1/2"	1/2"	296010N
800471	5.5	1/2"	1/2"	294649N
800627	4	1/2"	1/2"	294649N



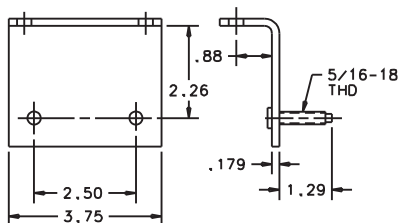
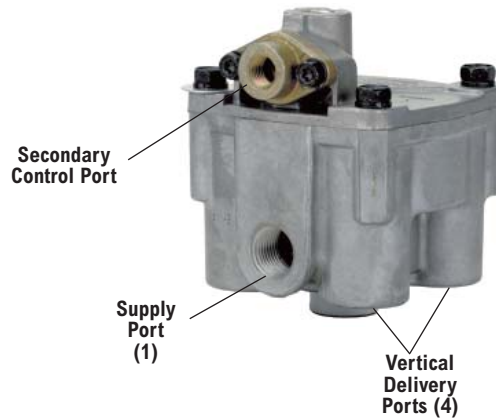
### R-12DC® Relay Valve with 2 Horizontal and 2 Vertical Delivery Ports

Service New Pc. No.	Crack Pressure PSI	Horizontal Delivery Ports NPT	Vertical Delivery Ports NPT	Bracket Pc. No. (Included)
800481	4	1/2"	3/8"	None <sup>(1)</sup>
801305	4	1/2"	3/8"	3/8" Tube Fitting
801381	5.5	1/2"	3/8"	102846N

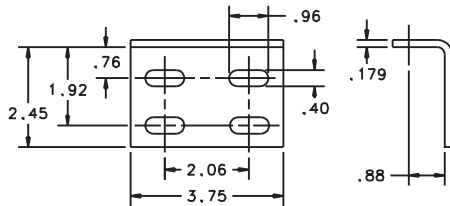


### R-12DC® Relay Valve with 4 Vertical Delivery Ports

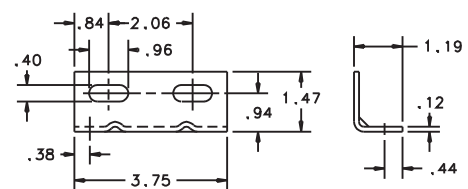
Service New Pc. No.	Crack Pressure PSI	Vertical Delivery Ports (NPT)	Bracket Pc. No. (Included)
800477	4	1/2"	102846N
800479	4	1/2"	294649N



Mounting Bracket  
Pc. No. 102846N



Mounting Bracket  
Pc. No. 296010N



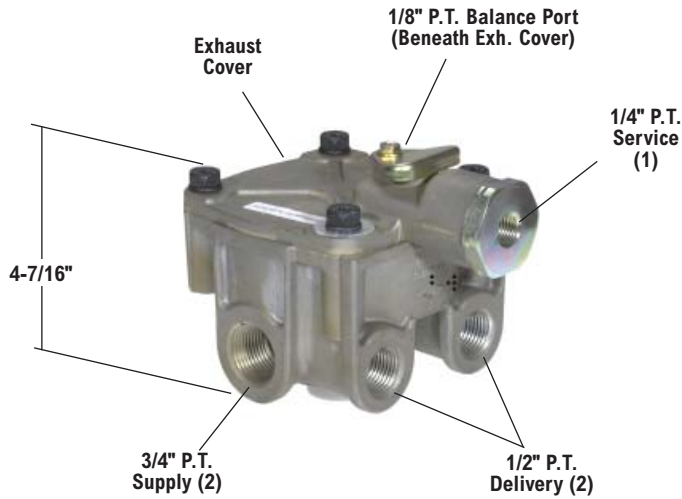
Mounting Bracket  
Pc. No. 294649N



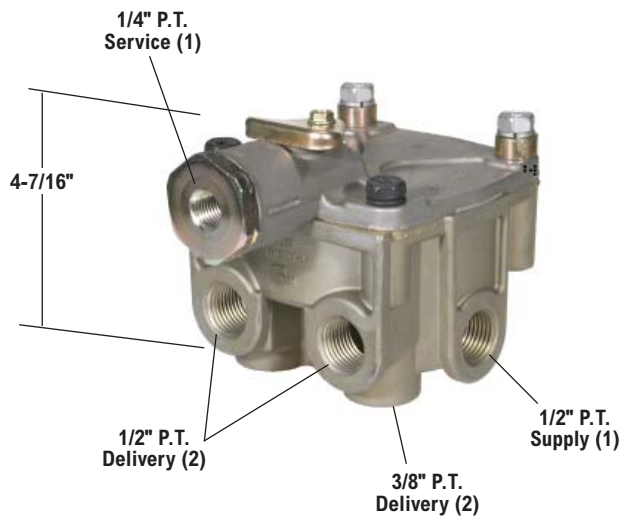
## R-14® Relay Valve

- Available Remanufactured Exchange
- Field Maintenance Kit for R-12® & R-14® Relay Valves is Pc. No. 102802N
- All Universal R-12® and R-14® Relay Valves Include Installation Instructions and a Universal Mounting Bracket Pc. No. 296010N.

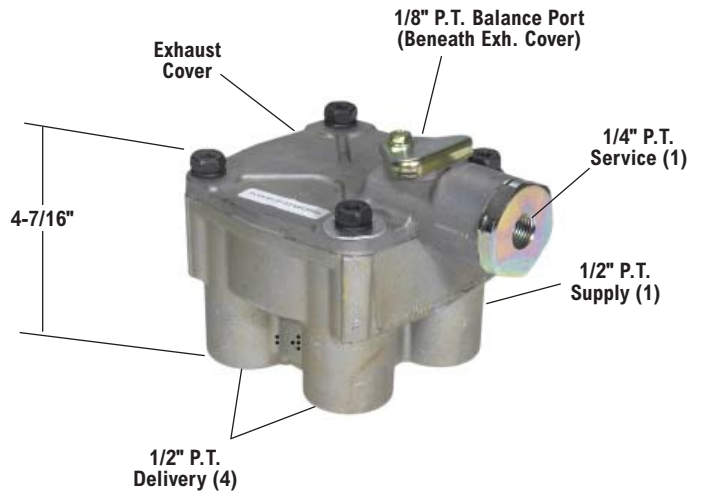
V.M.R.S. 13-010-009



R-14® Relay Valve  
(Horizontal Delivery Ports)



R-14® Relay Valve  
(Horizontal & Vertical  
Delivery Ports)



R-14® Relay Valve  
(Vertical Delivery Ports)

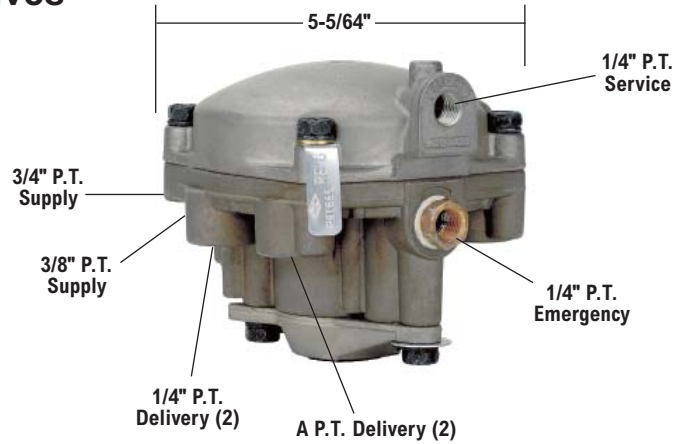
Reman. Exch. Pc. No.	Service New Pc. No.	Crack Press. PSI	Supply
<b>Horizontal Delivery Ports</b>			
103010RX	103010N	4	3/4"
103294RX	103294N	5.5	3/4"
103835X	103835	7.5	3/4"
-	104345	5	3/4"
104574RX	104574	4	1/2"
<b>Vertical Delivery Ports</b>			
103028RX	103028N	4	1/2"
-	103833	7.5	1/2"
-	106313	5.5	1/2"
<b>Vertical &amp; Horizontal Delivery Ports*</b>			
-	065430	4	1/2"

\*Delivery ports (2) 3/8" & (2) 1/2"

## RE-6® & RE-6NC™ Relay Emergency Valves

- Available Remanufactured Exchange
- Maintenance Kits:  
282812 Complete Valve  
282813 Insert Only

V.M.R.S. 13-010-037



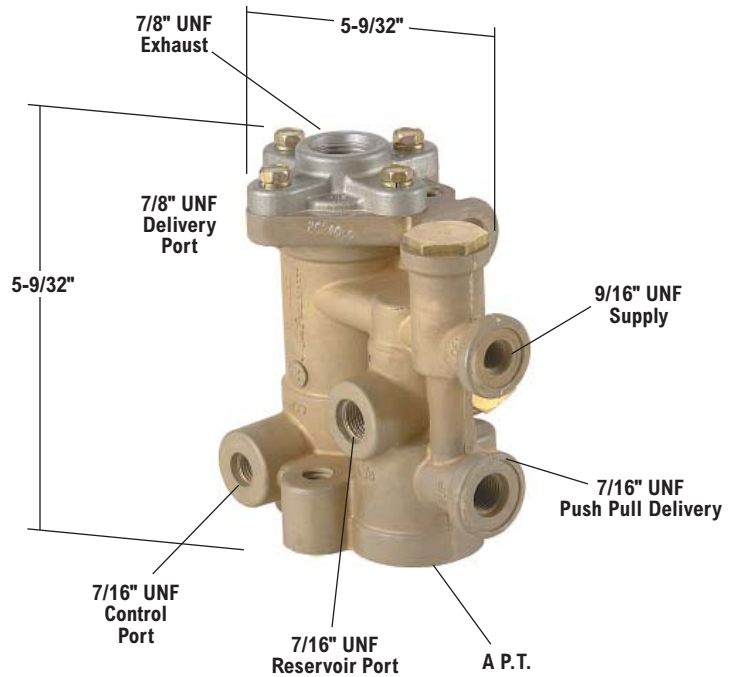
Reman. Exch. Pc. No.	Service Pc. No.	Valve	A P.T. Delivery
281865X	281865	RE-6® Relay Emergency Valve	3/8"
281860X	281860	RE-6® Relay Emergency Valve	1/4"
-	065451	RE-6NC™ Relay Emergency Valve	1/4"

The RE-6NC™ relay emergency valve must be used in conjunction with a PR-3™ reservoir control valve.

## HR-1™ Hydraulic Relay Valve

V.M.R.S. 13-010-015

Service Pc. No.	Vehicles
065147	Ford, Navistar



## ST-3™ Safety Valves

V.M.R.S.  
13-010-073

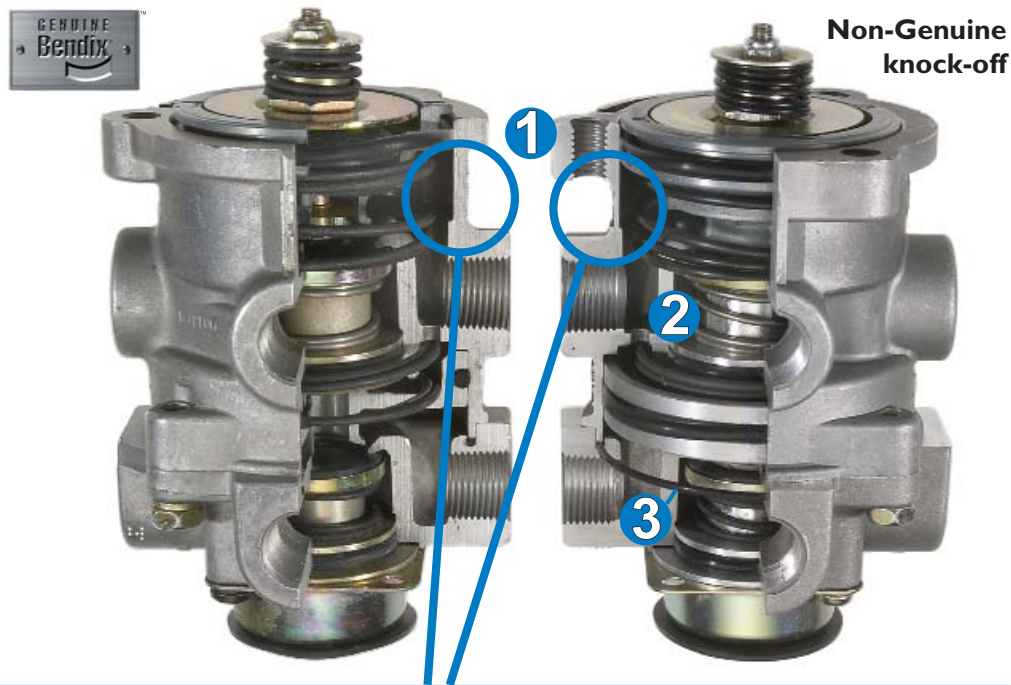
See the compressor section (01) of this catalog for ST-4™ safety valves.



ST-3™ Safety Valve Pc. No.	Pipe Thread	Pressure Setting
284142	1/4"	150 PSI
284143	3/8"	150 PSI
285849	1/4"	175 PSI
285850	1/4"	75 PSI

## Do you really know what's inside the valves you buy?

Appearances can be deceiving. The two valves pictured below may look alike but their performance is drastically different. The non-genuine knock-off is a component bought right off the shelf, and its poor quality is just a sample of what is being sold in the market every day.



- ❶ The knock-off valve's wall is 56% thinner, making it more susceptible to cracking or even a complete valve rupture.
- ❷ O-rings, seals, bolts & pistons — all built with inferior materials — can lead to accelerated wear and leakage.
- ❸ Inconsistent spring tension on the knock-off can result in brake imbalance and longer stopping distances.

Your brakes are not the place to cut corners. A poorly manufactured knock-off valve — like the one pictured on the right above — can, and frequently does, affect the performance, durability and long-term reliability of your braking system. Protect your vehicle by using only genuine Bendix® parts.

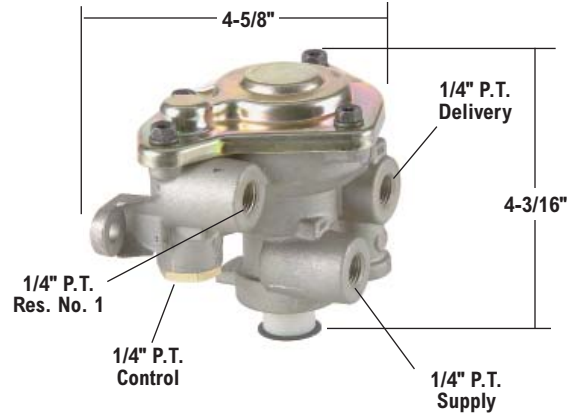
Use the best. Use Bendix. Look for the familiar Bendix name and logo on the box. For the name of the authorized distributor nearest you talk to your Bendix Account Manager, call 1-800-AIR-BRAKE(1-800-247-2725) or visit [www.bendix.com](http://www.bendix.com) today.

## SR-1™ Spring Brake Valve

- Available Remanufactured Exchange
- Maintenance Kit 108123

V.M.R.S. 13-010-048

Reman. Exch. Pc. No.	Service New Pc. No.	Cust. Ident.	Reservoir Trip Press.
286364RX	286364N	NONE	55 PSI
288063RX	288063N	IHC-459271-C92	30 PSI



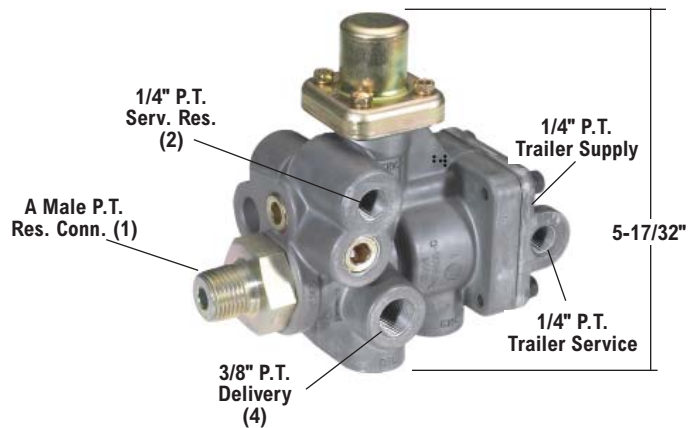
## SR-2™ Trailer Spring Brake Valve

- Available Remanufactured Exchange
- Maintenance Kit 287691

V.M.R.S. 13-010-048

Reman. Exch. Pc. No.	Service New Pc. No.	A P.T.
*287376RX	*287376N	3/4"
102761RX	102761N	3/4"
103061RX	103061N	1/2"

\*Does not have trailer service port for anti-compound

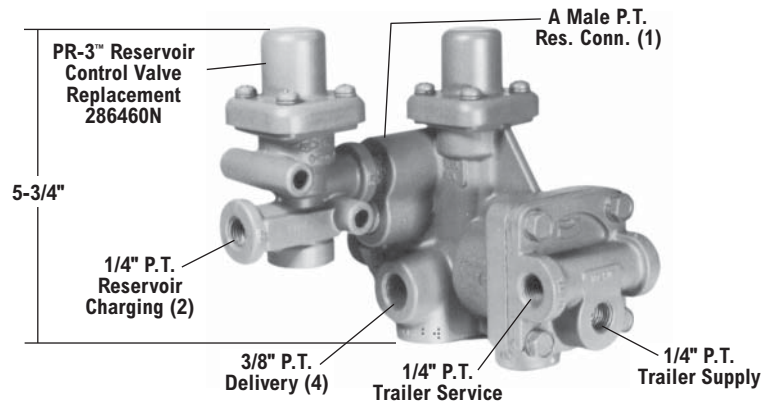


## SR-4™ Trailer Spring Brake Valve

- Available Remanufactured Exchange
- Maintenance Kit 102048

V.M.R.S. 13-010-048

Reman. Exch. Pc. No.	Service New Pc. No.	A P.T.
101112RX	107539N	3/4"
101622X	108076	1/2"

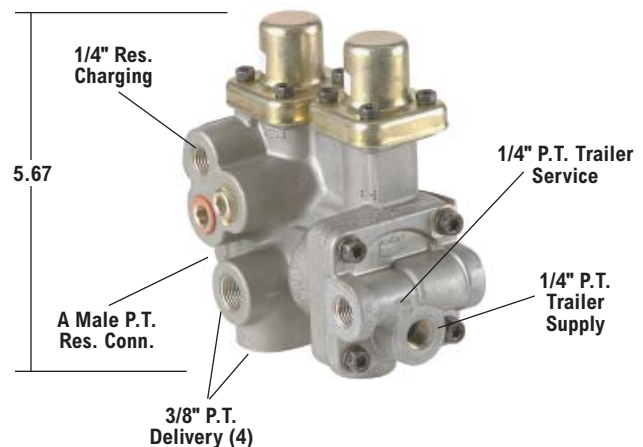


## SR-4™ New Configuration Trailer Spring Brake Valve

- Maintenance Kit 108259

V.M.R.S. 13-010-111

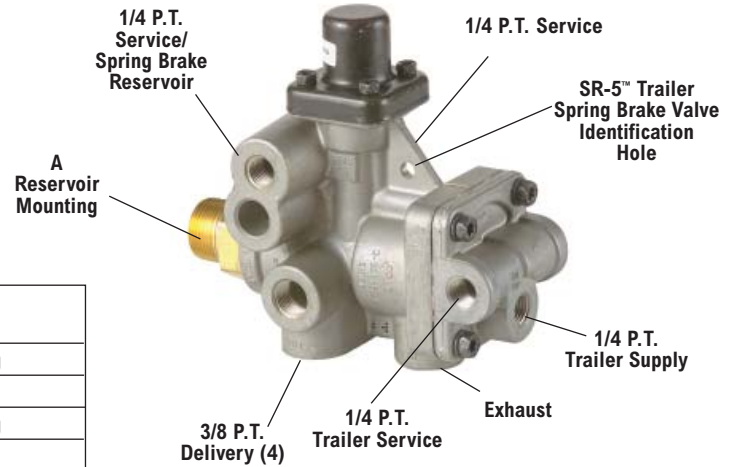
SR-4™ Trailer Spring Brake Valve Svc. New Pc. No.	SR-5™ Trailer Spring Brake Valve Svc. New Pc. No.	A	Comments
107539N	065437	3/4" NPT	With Anti-Compounding
-	065439	1/2" NPT	With Anti-Compounding



## SR-5™ Trailer Spring Brake Valve

• Maintenance Kit 109015

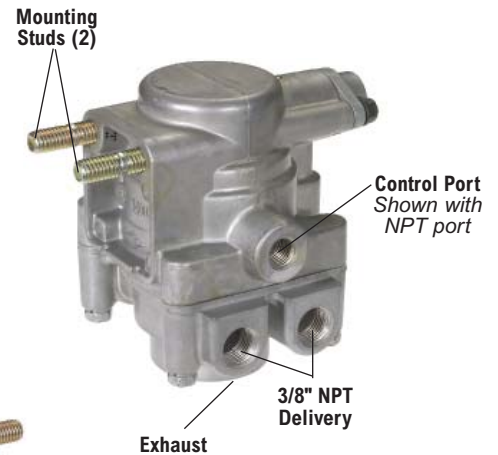
V.M.R.S. 13-010-048



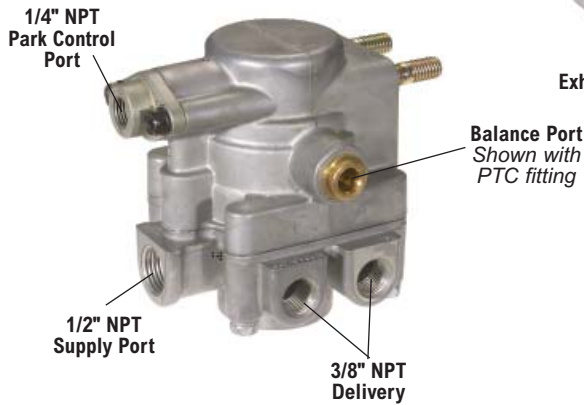
Reman. Exch. Pc. No.	Service New Pc. No.	A Male P.T.	Comments
109615X	065437	3/4"	With Anti-Compounding
109616X	065438	3/4"	–
109617X	065439	1/2"	With Anti-Compounding
109618X	065440	1/2"	–

## SR-7® Spring Brake Modulating Valve

Service New Pc. No.	Mounting Stud		Control Port		Balance Port	
	Thd.	Length	Size*	Fitting	Size*	Fitting
K021557	3/8"-16	.94"	1/4" NPT	–	1/4" NPT	–
K021558	3/8"-16	.94"	3/8" PTC	Straight	3/8" PTC	Straight
K021559	3/8"-16	.94"	3/8" PTC	90°	3/8" PTC	Straight
K021560	M10	1.38"	3/8" PTC	90°	3/8" PTC	90°
K021562	–	–	1/4" NPT	–	1/4" NPT	–
K021563	–	–	3/8" PTC	Straight	3/8" PTC	Straight

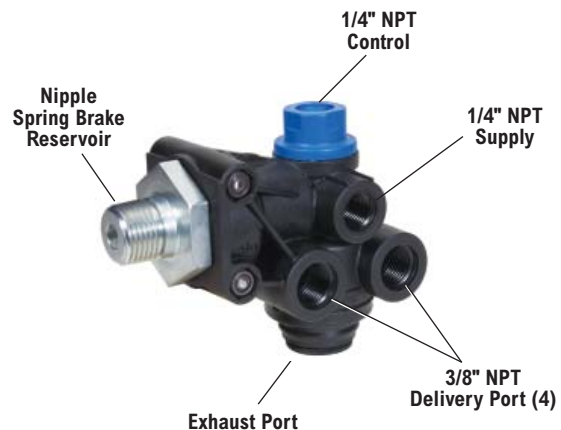


PTC - Push To Connect Fittings



## SRC-7000™ Trailer Spring Brake Valve

Service New Pc. No.	Mounting Nipple	Comments
K025778	1/2" NPT	Replaces Sealco 110500



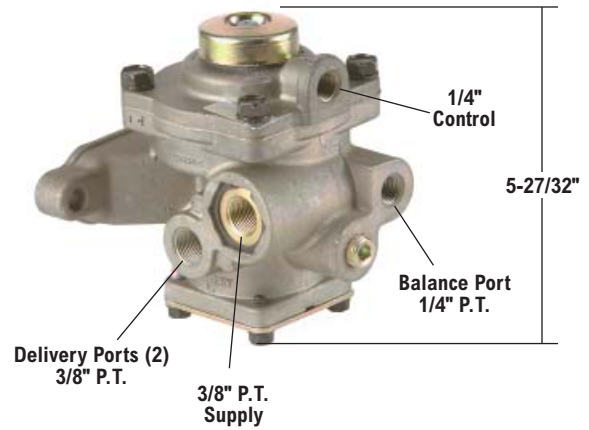


## R-7™ Modulating Valve

- Available Remanufactured Exchange
- Maintenance Kit 283861

V.M.R.S. 13-010-009

Reman. Exch. Pc. No.	Service New Pc. No.	Spring Brake Release Pressure
103081RX	103081N	95 PSI

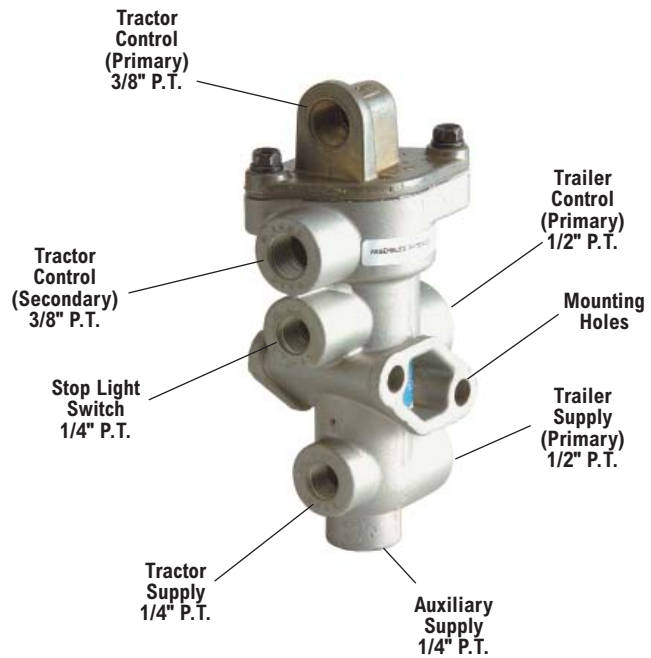


## TP-3DC™ Tractor Protection Valve

- Maintenance Kit 5000073

V.M.R.S. 13-010-016

Service New Pc. No.
065706

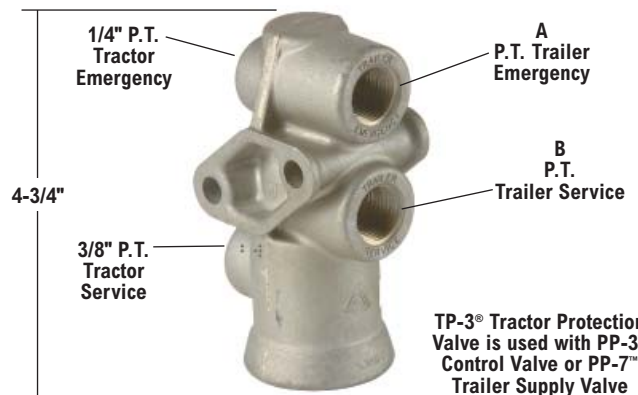


## TP-3® Tractor Protection Valve

- Available Remanufactured Exchange
- Maintenance Kit 280858N

V.M.R.S. 13-010-016

Reman. Exch. Pc. No.	Service New Pc. No.	A P.T.	B P.T.
279000RX	279000N	1/2"	1/2"
279692X	—	3/8"	3/8"
—	280830N	1/2"	1/2"



TP-3® Tractor Protection Valve is used with PP-3™ Control Valve or PP-7™ Trailer Supply Valve

## TP-4™ Tractor Protection Valve

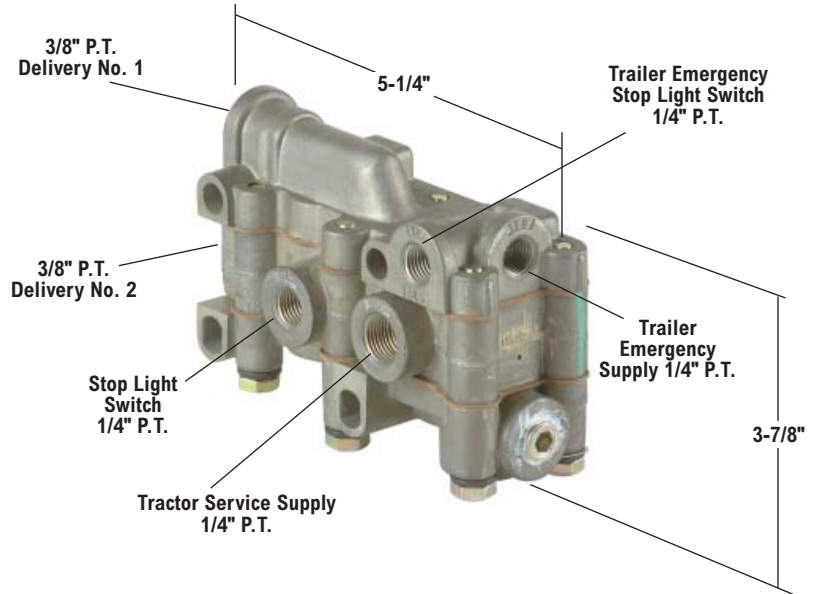
Formerly VM-1 Control Valve Manifold

- Available Remanufactured Exchange
- Maintenance Kit 283863

V.M.R.S. 13-010-114

Reman. Exch. Pc. No.	Service New Pc. No.
288301RX	288301N

3 Sealing O-Rings Pc. No. 212268 Included with Valve

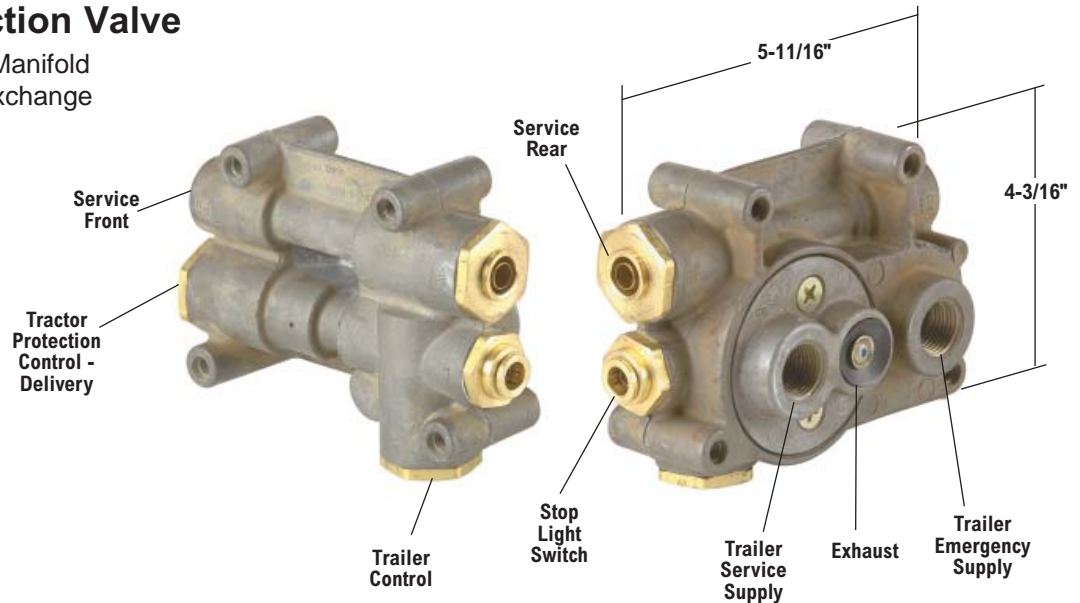


## TP-5™ Tractor Protection Valve

Formerly VM-2 Control Valve Manifold

- Available Remanufactured Exchange
- Maintenance Kit 289061

V.M.R.S. 13-010-114

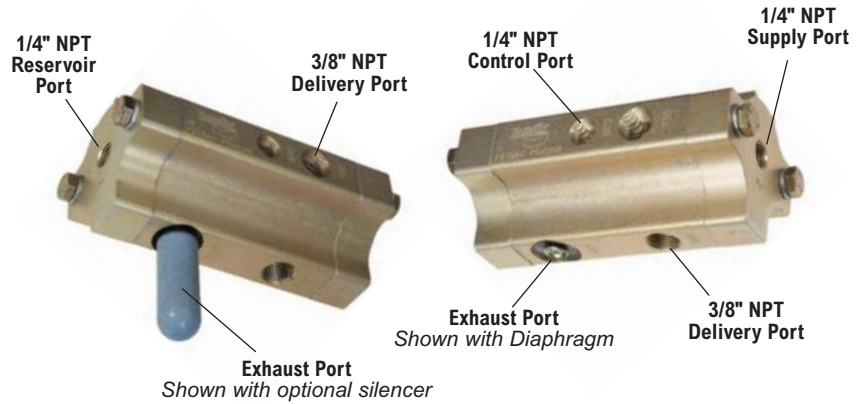


Reman. Exch. Pc. No.	Service New Pc. No.	Service Rear	Stop Light Switch	Service Front	Trailer Control	Trailer Service Supply	Trailer Emergency Supply	Tractor Protection Control Delivery
-	065702	1/2" PTC	3/8" PTC	1/2" PTC	3/8" PTC	1/2" NPT	1/2" NPT	3/8" PTC
-	107430	3/8" NPT	1/8" NPT	3/8" NPT	1/4" NPT	1/2" NPT	1/2" NPT	1/4" NPT
288605RX	288605N	3/8" NPT	1/4" NPT	3/8" NPT	3/8" NPT	1/2" NPT	1/2" NPT	3/8" NPT
-	800396	1/2" PTC	1/4" PTC	1/2" PTC	3/8" PTC	1/2" NPT	1/2" NPT	3/8" PTC

PTC - Push To Connect Fittings

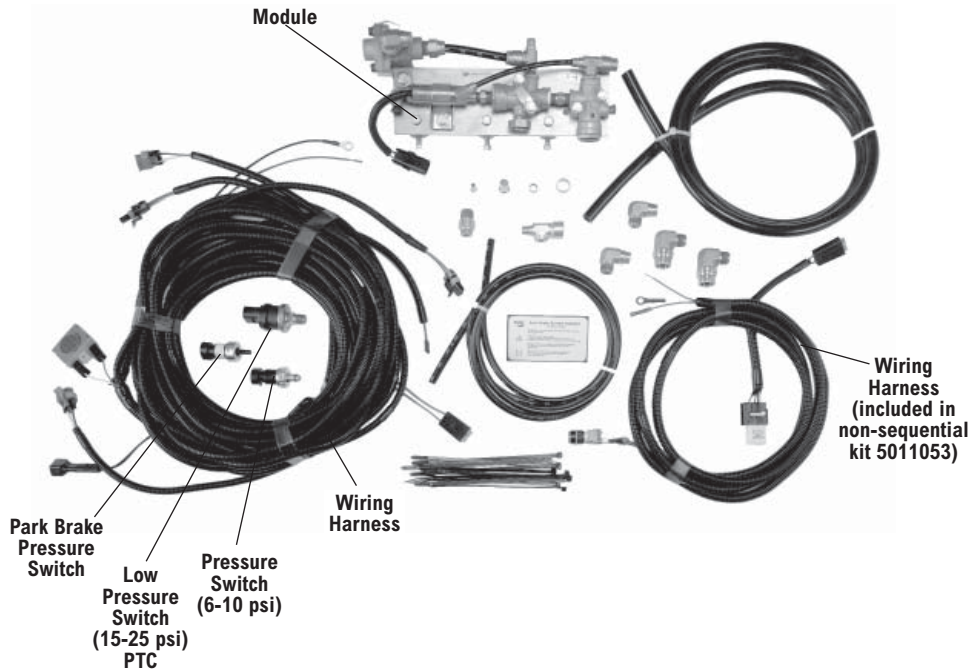
## SDS-9600™ Trailer Suspension Dump Valve

Service New Pc. No.	Exhaust Style
K025843	3/8 NPT Port
K025844	Diaphragm



## AutoBrake™ Retrofit Kits

Pc. No.	Comments
5011053	For Buses w/non-sequential lighting
5008285	For Buses w/sequential lighting







E-5™ Valve Maintenance Kit Pc. No. 289334N



E-6® Valve Maintenance Kit Pc. No. 287368N



E-6® Valve Maintenance Kit Pc. No. 289335



E-7™ Valve Maintenance Kit Pc. No. 289352N



E-7™ Valve Maintenance Kit Pc. No. 289353





E-10™ Valve Maintenance Kit Pc. No. 102100



E-12™ Valve Maintenance Kit Pc. No. 108367



LQ-2™ Valve Maintenance Kit Pc. No. 282098N



LQ-4™ Valve Maintenance Kit Pc. No. 289500N



LQ-5™ Valve Maintenance Kit Pc. No. 107195



MV-2™ Valve Maintenance Kit Pc. No. 101557



MV-3® Valve Maintenance Kit Pc. No. 107216



MV-3® Valve Maintenance Kit Pc. No. 107217



MV-3® Valve Maintenance Kit Pc. No. 5002741



MV-3® Valve Maintenance Kit Pc. No. 5002742



PP-DC® Valve Maintenance Kit Pc. No. 5006939



PP-1® Valve Maintenance Kit Pc. No. 281126N



PP-2™ Valve Maintenance Kit Pc. No. 281127N



PP-3™ Valve Maintenance Kit Pc. No. 280857N



PP-7™ Valve Maintenance Kit Pc. No. 287367



PR-3™ & PR-4™ Valve Maintenance Kit Pc. No. 287366



QRN™ Valve Maintenance Kit Pc. No. 104463



R-6™ Valve Maintenance Kit Pc. No. 280856N



R-7™ Valve Maintenance Kit Pc. No. 283861



R-8™ Valve Maintenance Kit Pc. No. 287370N



R-12P™ Valve Maintenance Kit Pc. No. 109265



R-12® DuraDrain™ Valve Maintenance Kit Pc. No. 5004029



R-12® Valve Maintenance Kit Pc. No. 5002831



R-14® Valve Maintenance Kit Pc. No. 102802N



R-8P™ Valve Maintenance Kit Pc. No. 103799



RE-6® Valve Maintenance Kit Pc. No. 282812



RE-6® Valve Maintenance Kit Pc. No. 282813



SR-1™ Valve Maintenance Kit Pc. No. 108123



SR-2™ Valve Maintenance Kit Pc. No. 287691





SR-4™ Valve Maintenance Kit Pc. No. 108259



SR-4™ Valve Maintenance Kit Pc. No. 102048



SR-5™ Valve Maintenance Kit Pc. No. 109015



TC-2™ Valve Maintenance Kit Pc. No. 276122



TC-6™ Valve Maintenance Kit Pc. No. 289890



TC-7™ Valve Maintenance Kit Pc. No. 102145



TP-3® Valve Maintenance Kit Pc. No. 280858N



TP-3DC™ Valve Maintenance Kit Pc. No. 5000073



TP-4™ Valve Maintenance Kit Pc. No. 283863



TP-5™ Valve Maintenance Kit Pc. No. 289061

## Valve Changeover

Type/Pc. No.	Bendix Reman.	Type/Pc. No.	Bendix Reman.	Type/Pc. No.	Bendix Reman.
Bendix	Exch. Replacement	Berg	Exch. Replacement	Midland	Exch. Replacement
R-1™ Valve	103009RX	12340	103009RX	A104001	101112RX, 101622X
R-1C™ Valve	103009RX	12341	103009RX	A104002	101112RX, 101622X
R-5™ Valve	102626RX, 103009RX	12342	102626RX, 103009RX	A104003	101112RX, 101622X
R-6™ Valve	102626RX, 103009RX	12343	102626RX, 103009RX	A104010	101112RX, 101622X
R-8™ Valve	103010RX	12344	102626RX, 103009RX	KN20541	101112RX, 101622X
R-12® Valve	102626RX	12345	102626RX, 103009RX	KN28060	103009RX
R-12® Valve (H)	103009RX	12346	103009RX	KN28061	103009RX
R-14® Valve	103028RX	12352	101112RX & 102626RX	KN28071	103010RX
R-14® Valve (H)	103010RX	12360	101112RX, 101622X	KN28132	103009RX
RE-6® Valve	281865RX	A86473	102626RX	KN28140	103010RX
SR-1™ Valve	286364RX	A86477	102626RX		
SR-2™ Valve	287376RX			<b>Sealco</b>	
SR-4™ Valve	101112RX	<b>Kelsey Hayes</b>		9125	102626RX, 103009RX
		5468	103009RX	A1100	102626RX
		5470	102626RX	<b>Wagner</b>	
				A78882	102626RX, 103009RX
				A78887	102626RX, 103009RX
				A88802	101112RX, 101622X
				A88812	101112RX, 101622X
				A98730	101112RX, 101622X
				A98731	101112RX, 101622X
				A98732	101112RX, 101622X

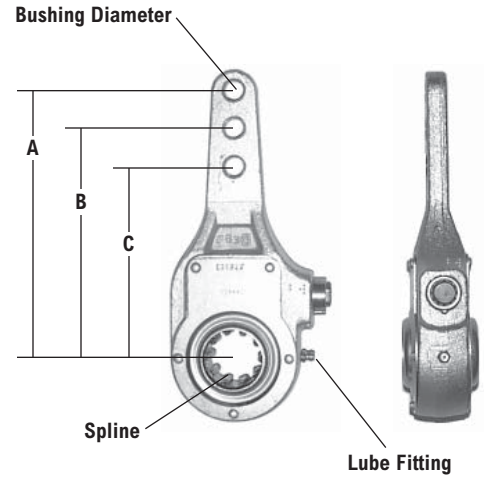
## Straight Arm

V.M.R.S. 13-001-030 (FRONT)  
13-002-028 (REAR)

### Selecting A Slack Adjuster

1. Determine if straight or offset arm. If offset, determine if RH or LH is needed.
2. Identify spline size (diameter and number of teeth).
3. Select model needed.
4. Determine the arm hole used (if slack contains more than one).
5. Identify bushing diameter.

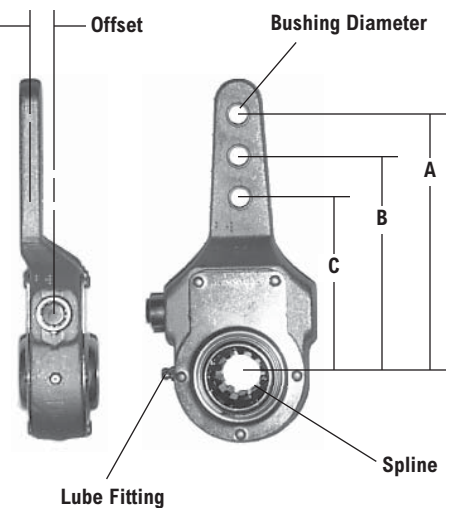
Service New Pc. No.	SAE Torque Rating-lbs	Spline	Teeth	Arm Length (In.)			Bushing Dia.	Lube Fitting	Fitting Direction
				A	B	C			
278302 278305	26,000 26,000	1-1/4"	10	5.5 7.0	4.5 6.0	— 5.0	0.5	Straight	Straight
278323N 278326N 278008 278010N 278045N 279634N	26,000 26,000 30,000 30,000 30,000 30,000	1-1/2"	10	7.0 6.5 6.5 6.0 7.0 7.75	6.0 5.5 5.5 5.0 6.0 6.75	— — — — 5.0 —	0.5	Straight	Straight
101827N 277959N 102110N 278016N 278017N 278035N	26,000 26,000 30,000 30,000 30,000 30,000	1-1/2"	10	6.0 6.5 6.5 6.5 6.0 7.5	— 5.5 5.5 5.5 5.0 5.5	— — — — — —	0.625	90 Deg. Straight 90 Deg. Straight Straight Straight	Left Straight Down Straight Straight Straight
288282 286965N 288753N 287899N	26,000 26,000 26,000 30,000	1-1/2"	28	7.0 6.0 6.5 6.5	6.0 5.0 5.5 5.5	5.0 — — —	0.5	Straight Straight Straight Straight	Straight Straight Straight Straight
101133N 101134 101289N 101290N 101214N 101215N 101216N	26,000 26,000 26,000 26,000 30,000 30,000 30,000	1-1/2"	28	6.0 6.5 6.5 6.0 6.5 6.0 7.0	5.0 5.5 5.5 5.0 5.5 5.0 —	— — — — — — —	0.625	Straight Straight 90 Deg. 90 Deg. Straight Straight Straight	Straight Straight Right Right Straight Straight Straight
283411	26,000	1-5/8"	37	6.0	—	—	0.5	Straight	Straight



## Offset Arm

Left Hand (LH) Shown –  
Right Hand (RH) Opposite

Service New Pc. No.	SAE Torque Rating-lbs	Spline	Teeth	Arm Length (In.)			Bushing Dia.	Lube Fitting	Offset	Handed
				A	B	C				
278288 278289 278294N 278295	26,000	1-1/4"	10	6.0 6.0 5.5 5.5	5.0 5.0 4.5 4.5	4.0 4.0 — —	0.5	Straight	0.625	RH LH RH LH
278252 278253 279300N 279301N 279946N 279947N 280424 280425 282560 282561	26,000	1-1/2"	10	5.5 5.5 5.25 5.25 7.0 7.0 6.0 6.0 6.5 6.5	4.5 4.5 — — 6.0 6.0 5.0 5.0 5.5 5.5	— — — — — — 4.0 4.0 — —	0.5	Straight	0.625	RH LH RH LH RH LH RH LH RH LH
279309 279350 279351N 288539N 288540N 288541N 288542N	20,000	1-1/2"	10	5.75 7.0 7.0 6.5 6.5 6.0 6.0	— — — 5.5 5.5 5.0 5.0	— — — — — — —	0.5	Straight	1.5	LH RH LH RH LH RH LH
101413N 101414N 287896 287897	20,000	1-1/2"	28	5.5 5.5 6.5 6.5	— — 5.5 5.5	— — — —	0.5	Straight	1.5	LH RH RH LH



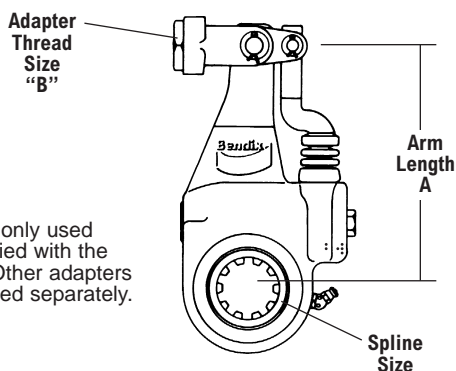
## ASA-5® Automatic Slack Adjuster

V.M.R.S. 013-001-030 (FRONT)  
013-002-028 (REAR)

### ASA-5® Automatic Slack Adjuster Maintenance Kits

Kit Pc. No.	Description
107162	1/2" Adapter Kit - Quick Connect
107161N	5/8" Adapter Kit - Quick Connect
107157	Quick Connect Yoke Kit (Straight)
107159	Quick Connect Yoke Kit (Offset)
107158	Easy-On Yoke Kit (Straight)
107160	Easy-On Yoke Kit (Offset)

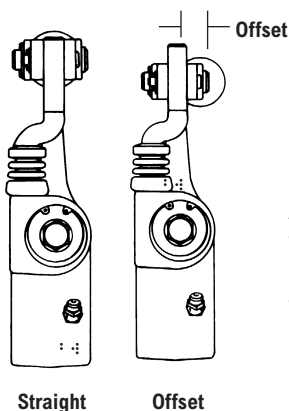
Kit contents at the end of this catalog section.



The most commonly used adapter is supplied with the slack adjuster. Other adapters may be purchased separately.



ASA-5® Automatic Slack Adjuster Exterior



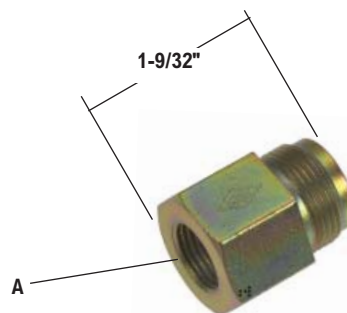
All offset slack adjusters are provided as shown. If the opposite offset is needed remove the yoke and rotate 180°.

### Standard Adapter



Service New Pc. No.	A Push Rod Thread Size
291452N	5/8"-18 UNF
292756N	1/2"-20 UNF

### Extended Adapter



Service New Pc. No.	A Push Rod Thread Size
297700N	5/8"-18 UNF
297701N	1/2"-20 UNF



ASA-5® Slack Adjuster Service Assy. Pc. No.	Arm Length A	Adapter Thread Size B	Yoke Offset	Service Parts/Kits	
				Adapter	Yoke
<b>1 1/4"-10C Spline</b>					
065162	5"	1/2"-20	5/8"	292756N	107160
065163	5-1/2"	5/8"-18	5/8"	291452N	107160
065244	5-1/2"	1/2"-20	5/8"	292756N	107160
065164	5-1/2"	1/2"-20	Straight	292756N	107158
801351	5-1/2"	5/8"-18	Straight	291452N	107158
801359	5"	5/8"-18	5/8"	291452N	107160
<b>1 1/4"-24 Spline</b>					
065166	5"	1/2"-20	5/8"	292756N	107160
065167	5-1/2"	5/8"-18	Straight	291452N	107158
065274	5-1/2"	1/2"-20	Straight	292756N	107158
<b>1 1/2"-10C Spline</b>					
065168	5"	1/2"-20	Straight	292756N	107158
065169	5-1/2"	1/2"-20	5/8"	292756N	107160
065170	5-1/2"	5/8"-18	Straight	291452N	107158
065172	6"	5/8"-18	Straight	291452N	107158
801352	5"	5/8"-18	Straight	291452N	107158
801358	5-1/2"	5/8"-18	5/8"	291452N	107160
<b>1 1/2"-28 Spline</b>					
065173	5"	1/2"-20	Straight	292756N	107158
065174	5-1/2"	5/8"-18	Straight	291452N	107158
065176	6"	5/8"-18	Straight	291452N	107158
801354	5"	5/8"-18	Straight	291452N	107158
801355	5-1/2"	1/2"-20	Straight	292756N	107158
801356	6"	1/2"-20	Straight	292756N	107158
<b>1 5/8"-37 Spline</b>					
065177	6"	5/8"-18	Straight	291452N	107158
065178	5-1/2"	5/8"-18	Straight	291452N	107158

The easy-on-yoke assemblies are standard on the ASA-5® service basic slack adjusters, however, early production assemblies may contain the quick connect yoke.

If the quick connect yoke is required it must be purchased separately and installed by the customer.

All ASA-5® slack adjusters are supplied with a 45° lube fitting unless otherwise noted.



5/8" Adapter Kit - Quick Connect Pc. No. 107161N



1/2" Adapter Kit - Quick Connect Pc. No. 107162



Quick Connect Yoke Kit (Offset) - Pc. No. 107159



Easy-On Yoke Kit (Offset) - Pc. No. 107160



Quick Connect Yoke Kit (Straight) - Pc. No. 107157



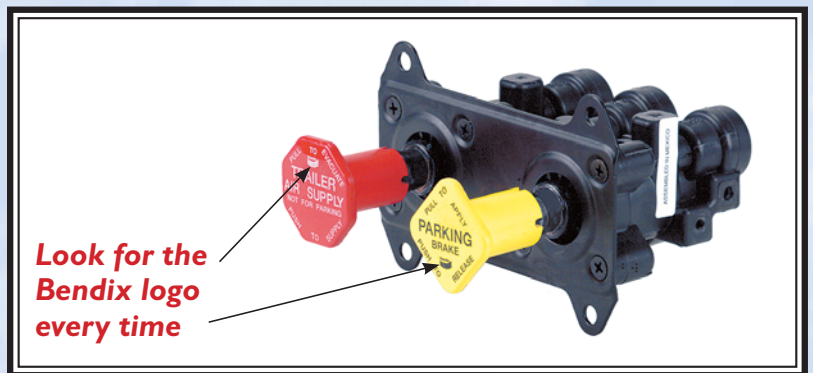
Easy-On Yoke Kit (Straight) - Pc. No. 107158

# The competition falls apart in your hands ... **LITERALLY!**



## **Knock-off**

*Knock-offs, bought right off the shelf,  
failed in less than 400 park applications.  
That's approximately one month of operation.*



## **Genuine Bendix® MV-3® Dash Valve**

*Reliable. Durable. Built to last.  
The only true OE replacement.*



**Why cut corners? Protect your vehicle  
by using only genuine Bendix® parts.**

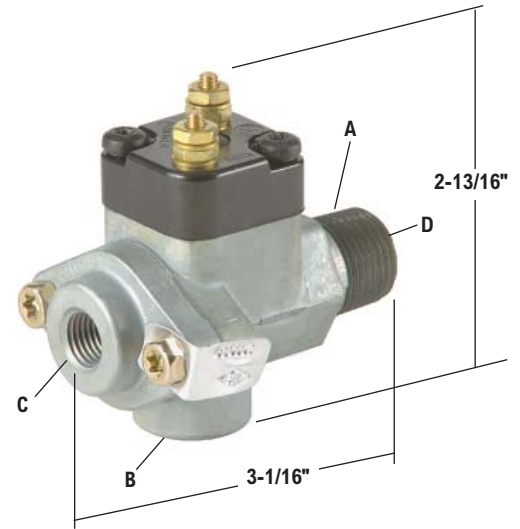


## DS-1™ Combined Stop Light Switch Double Check Valve

- Available Remanufactured Exchange
- Field Maintenance Kit 276142

V.M.R.S. 13-010-038

Reman. Exch. Pc. No.	Service New Pc. No.	A Male P.T.	B Female P.T.	C Female P.T.	D Female P.T.	E Terminal Thread
228050RX	228050N	1/2"	1/4"	1/4"	–	8-32
228165RX	228165N	3/8"	1/4"	1/4"	–	8-32
228520RX	228520N	1/2"	3/8"	1/4"	–	8-32
229493RX	–	1/2"	1/4"	1/4"	1/4"	8-32

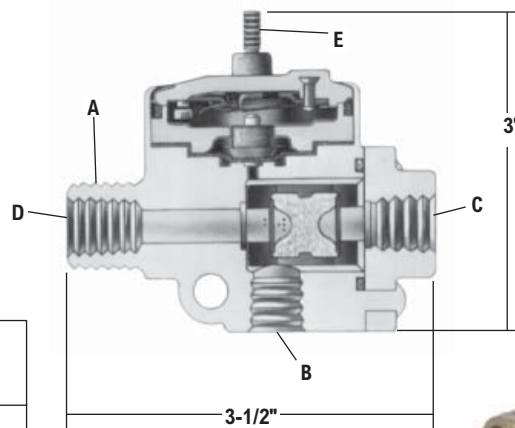


Maintenance Kit Pc. No. 276142

## DS-2™ Combined Stop Light Switch Double Check Valve

V.M.R.S. 13-010-038

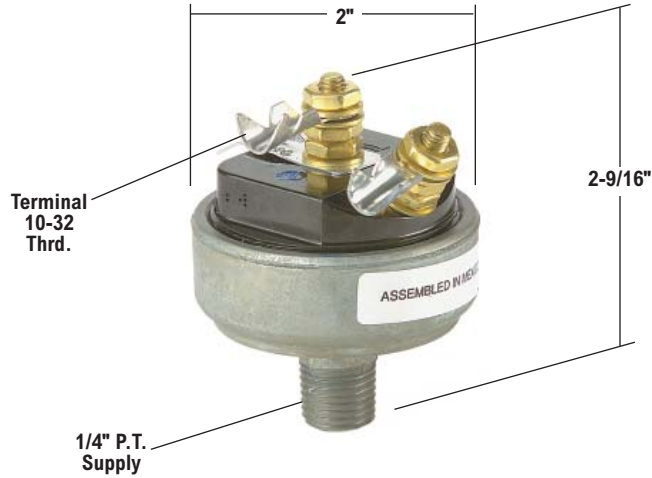
Service New Pc. No.	A Male P.T.	B Female P.T.	C Female P.T.	D Female P.T.	E Terminal Thread
104563	3/8"	3/8"	1/4"	–	8-32
286452N	3/8"	3/8"	3/8"	–	8-32
286453N	3/8"	3/8"	3/8"	–	10-32
286704	–	3/8"	3/8"	3/8"	10-32



## SL-3™ Stop Light Switch

V.M.R.S. 34-002-008

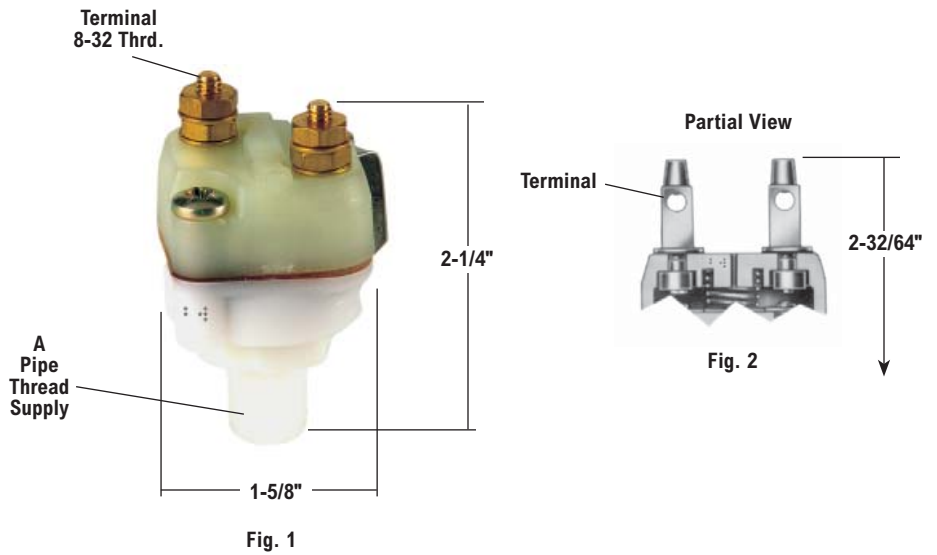
<b>Service New Pc. No.</b>
226262N



## SL-4™ Stop Light Switch

V.M.R.S. 34-002-008

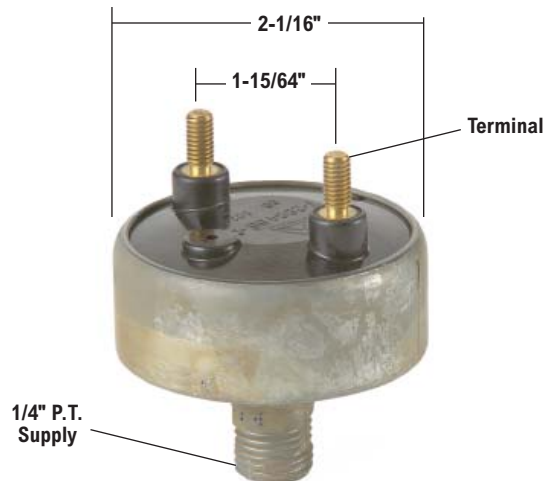
Service New Pc. No.	A Pipe Thread	Fig. No.
228687N	3/8"	1
228688	1/4"	2



## SL-5™ Stop Light Switch

V.M.R.S. 34-002-008

Service New Pc. No.	Terminal Thread Size
286392N	8-32
286404N	10-32



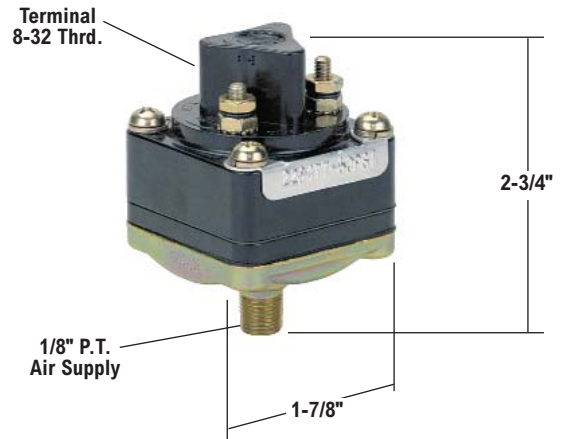


### TE-1™ Trailer Emergency Stop Light Switch

V.M.R.S. 34-002-008

Service New Pc. No.
228477

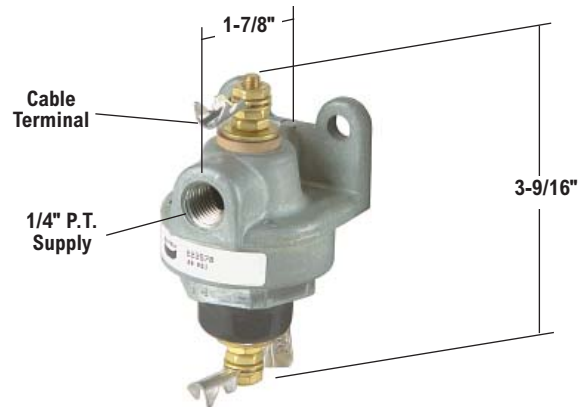
Circuit between terminals to be closed from 60 PSI to 0 PSI



### LP-2™ Low Pressure Indicator

V.M.R.S. 03-001-037

Service New Pc. No.	Cut-Out Pressure P.S.I.	Remarks
223578N	60 + 5 - 0	
224044	70 ± 6	Without Cable Terminal
288408	60 ± 6	Weatherproof



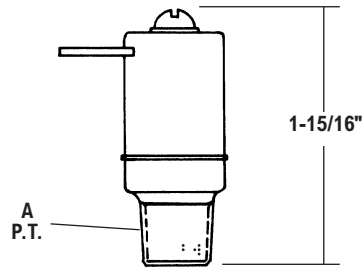
## LP-3™ Low Pressure Indicator

V.M.R.S. 03-001-037

### Single Terminal

Service New Pc. No.	Cut-Out Pressure P.S.I.	A Pipe Thread
*104246N	66 ± 6	1/4"
279416N	60 ± 6	1/4"
279472	75 ± 6	1/4"
280530N	70 ± 6	1/4"
289397N	75 ± 6	1/8"

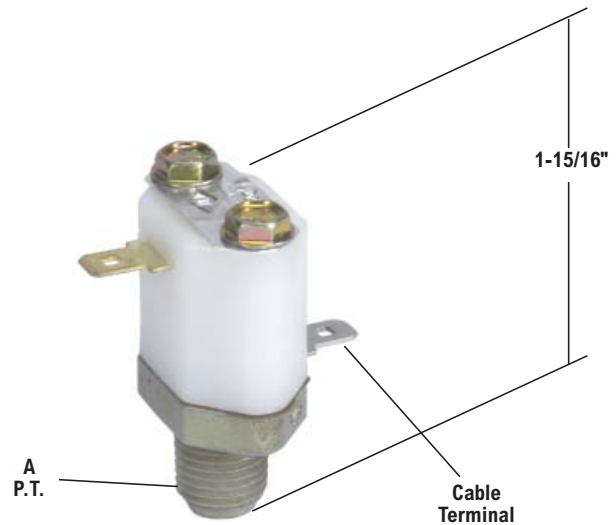
\*Push on terminal



### Double Terminal

Service New Pc. No.	Cut-Out Pressure P.S.I.	A Pipe Thread	Comments
228750N	60 ± 6	1/4"	
**275083N	—	1/4"	
276599N	30 ± 3	1/4"	
277155N	50 ± 5	1/4"	
*280743N	60 ± 6	1/4"	w/o cable terminal
284793N	80 ± 6	1/4"	w/o cable terminal
284833N	70 ± 6	1/4"	w/o cable terminal
283029N	60 ± 6	1/4"	w/o cable terminal
288522	66 ± 6	1/4"	w/o cable terminal

\*\*Pc. No. 275083N has a cut-in pressure of 75 ± 6 PSI



## Air Horn Kits

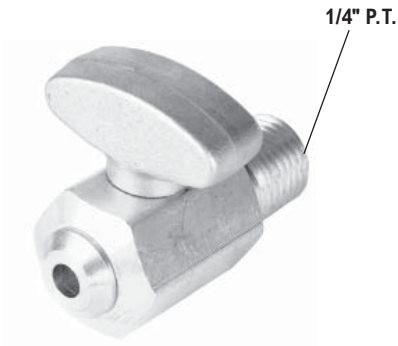
- Kits Include Horn Valve, Tubing & Fittings

Air Horn Kits	Application Description
207945N	Includes Hand Operated Horn Valve 228013
207946	Includes Foot Operated Horn Valve 228672

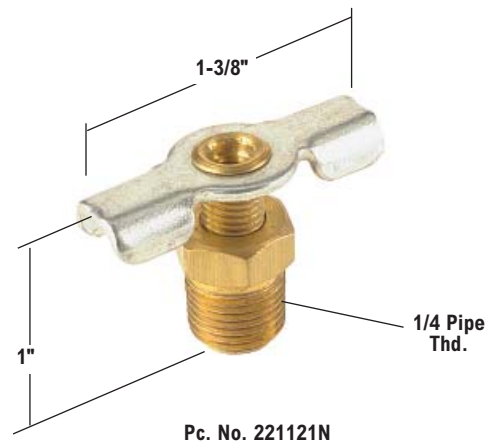
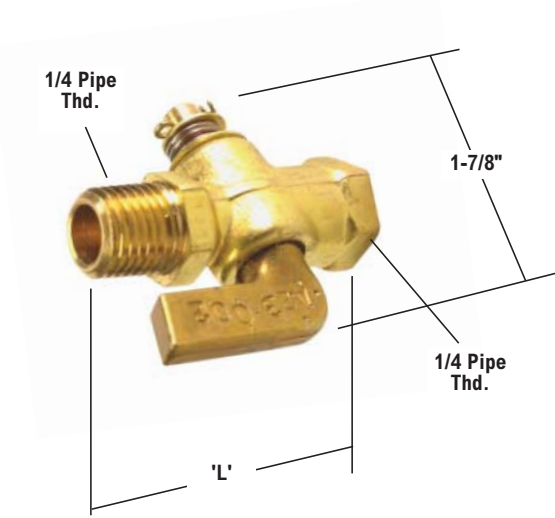


## C-1™ and C-3™ Cut-Out Cocks

Service New Pc. No.	'L' Length	Comments
220332N	1-7/8"	Closed as shown
226338N	1-7/8"	Open as shown
276068N	2-3/8"	Closed as shown



Pc. No. 103385N

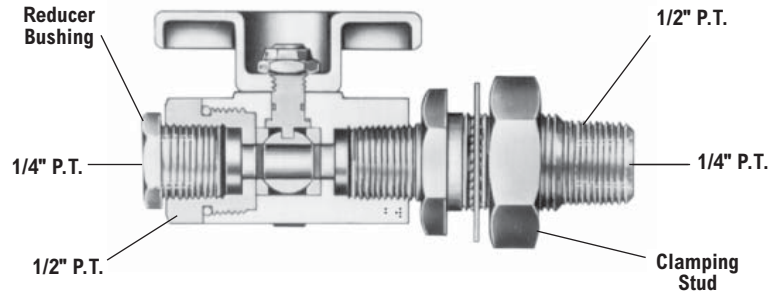


Pc. No. 221121N

## C-5™ Cut-Out Cocks

- Maintenance Kit 285938

Service New Pc. No.	Clamping Stud Pc. No.	Reducer Bushing Pc. No.
285172N	NONE	NONE
285697	205730N	212741

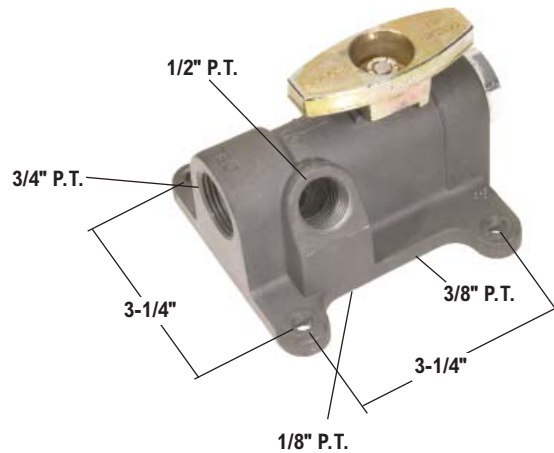


C-5™ Valve Maintenance Kit Pc. No. 285938

## C-6™ Cut-Out Cocks

- Handle shown in open position

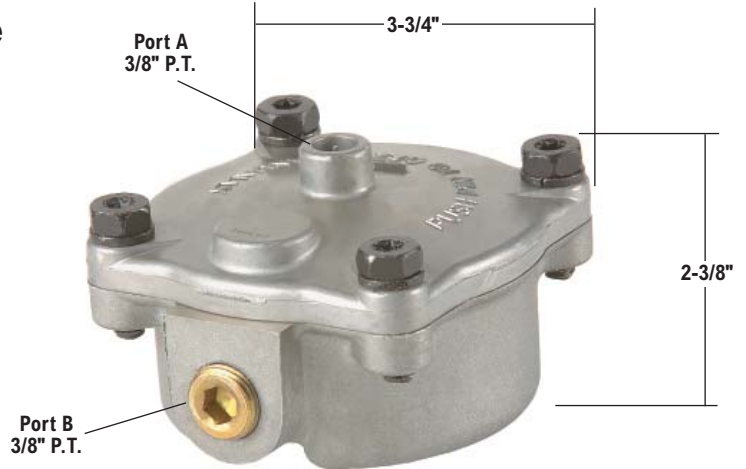
Service New Pc. No.
802718



## DV-2™ Automatic Reservoir Drain Valve

- Available Remanufactured Exchange
- Maintenance Kit 282134

V.M.R.S. 13-010-007



Reman. Exch. Pc. No.	Service New Pc. No.	Port A		Port B		Heater System
		1/4" Adapter Pc. No.	Pipe Plug Pc. No.	1/4" Adapter Pc. No.	Pipe Plug Pc. No.	
281923RX	281923N	293248N	–	–	233057N	–
281924RX	281924N	–	233057N	293248N	–	–
284412RX	284412N	293248N	–	–	233057N	12V
–	284795N	–	233057N	293248N	–	12V
284412RX	284817N	293248N	–	–	233057N	24V
–	800077	293248N	–	–	233057N	12V



Maintenance Kit Pc. No. 282134



## Copper Tubing and Tubing Clamps

V.M.R.S. 13-010-053

Tubing Outside Diameter	Tubing Length	Carton of Coiled Copper Tubing Pc. No.
1/4"	25 Ft.	279567
1/4"	50 Ft.	279568
5/16"	25 Ft.	279569
5/16"	50 Ft.	279570
3/8"	25 Ft.	279571
3/8"	50 Ft.	279572
1/2"	25 Ft.	279573
1/2"	50 Ft.	279574
5/8"	25 Ft.	279575
3/4"	25 Ft.	279576

All tubing above conforms with SAE Spec. J1149.

For Tubing O.D. Size	Tubing Clamp (Rubber Covered) Pc. No.
1/4"	232821N
5/16"	232822N
3/8"	232823N
1/2"	232824N
5/8"	232825
3/4"	232826N
1"	232827

## SAE Standard J844 Nylon Tubing

V.M.R.S. 13-010-003

O.D. (Inches)	Wall Thickness (Inches)	Length Feet	Tubing Color	Nylon Tubing Pc. No.
1/8	.023	100	Black	249094
1/8	.023	1000	Black	112429
1/4	.040	100	Black	246113
1/4	.040	250	Black	246114
1/4	.040	100	Red	248441
1/4	.040	100	Yellow	248442
1/4	.040	100	Green	248443
1/4	.040	1000	Black	291995
5/16	.046	100	Black	249095
3/8	.062	100	Black	246115N
3/8	.062	250	Black	246116
3/8	.062	100	Red	248444N
3/8	.062	100	Yellow	248445
3/8	.062	100	Green	248446
3/8	.062	100	Orange	248447
3/8	.062	500	Black	291996
1/2	.062	100	Black	246117
1/2	.062	250	Black	246118
1/2	.062	100	Red	248448
1/2	.062	100	Green	248449N
1/2	.062	100	Orange	248450
1/2	.062	500	Black	291997
5/8	.092	100	Black	247606
3/4	.092	100	Black	247607
3/4	.092	100	Green	248451

Each carton of Nylon Tubing is designed for self dispensing. Adaptable for use with Standard Air Brake Fittings with the use of inserts.

## Tube Inserts for Nylon Tubing



Can be used with standard Bendix tubing fittings.

For Tube Size O.D.	Service New Pc. No.
1/4"	246088N
5/16"	292802
3/8"	246089N
1/2"	246090N
5/8"	247608
3/4"	246091N

## Standard Nuts and Sleeves



Nut

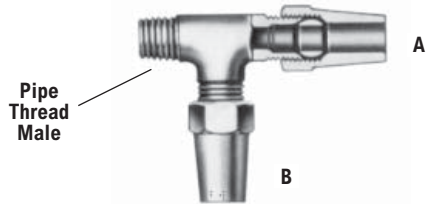


Sleeve

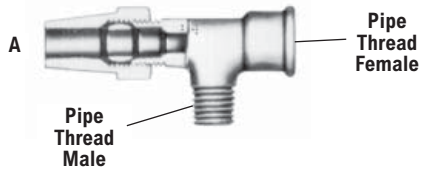
The tubing O.D. size determines the nut and sleeve used.

For Tubing Size O.D.	Nut Pc. No.	Sleeve Pc. No.
1/4"	200455	200457N
5/16"	200363	200364
3/8"	200360N	200361N
1/2"	203755N	203754N
5/8"	210613	210612N
3/4"	203896	203897
1"	203899	203900

## Tubing Fittings (cont.)



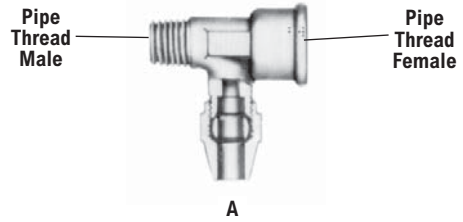
Pipe Thread Male	A Tubing O.D.	B Tubing O.D.	Tee Service New Pc. No.
1/8"	1/4"	1/4"	221978N
1/4"	3/8"	3/8"	205104N
3/8"	3/8"	3/8"	217050
3/8"	3/8"	1/2"	224647N



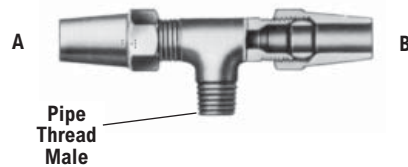
P.T. Female	P.T. Male	A Tubing O.D.	Tee Service New Pc. No.
1/4"	1/4"	3/8"	215954
1/4"	3/8"	1/2"	217640N
3/8"	1/2"	1/2"	275284N



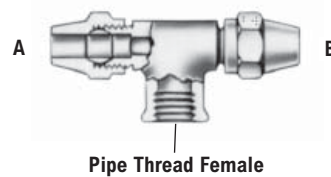
A Tubing O.D.	B Tubing O.D.	Union Service New Pc. No.
1/4"	1/4"	205514
3/8"	3/8"	205134N
1/2"	1/2"	215710
5/8"	5/8"	221826
3/4"	3/4"	216523
1"	1"	216339N



P.T. Female	P.T. Male	A Tubing O.D.	Tee Service New Pc. No.
1/4"	1/4"	3/8"	217619N
1/4"	3/8"	1/2"	224799N
1/2"	3/8"	3/8"	223664

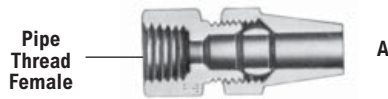


P.T. Male	A Tubing O.D.	B Tubing O.D.	Tee Service New Pc. No.
1/8"	1/4"	1/4"	205182N
1/8"	3/8"	3/8"	217051N
1/4"	1/4"	3/8"	225838
1/4"	3/8"	3/8"	205103N
3/8"	3/8"	3/8"	205177N
3/8"	1/2"	3/8"	224645N
3/8"	1/2"	1/2"	215700
1/2"	1/2"	1/2"	224721N
1/2"	5/8"	5/8"	221982

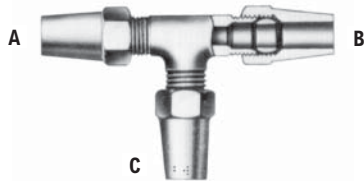


P.T. Female	A Tubing O.D.	B Tubing O.D.	Tee Service New Pc. No.
1/4"	3/8"	3/8"	224681N

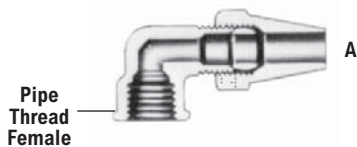
## Tubing Fittings (cont.)



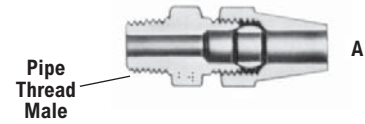
P.T. Female	A Tubing O.D.	Connector Service New Pc. No.
1/8"	1/4"	205101N
1/4"	3/8"	205826
3/8"	3/8"	205827
3/8"	1/2"	215711
1/2"	1/2"	225561
1/2"	5/8"	221987N
1/2"	3/4"	229738N



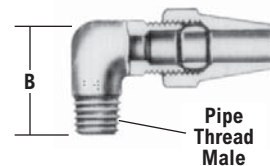
A Tubing O.D.	B Tubing O.D.	C Tubing O.D.	Tee Service New Pc. No.
1/4"	1/4"	1/4"	221979N
3/8"	3/8"	1/4"	225760N
3/8"	3/8"	3/8"	205106N
1/2"	1/2"	3/8"	225836N
1/2"	1/2"	1/2"	215712N
5/8"	5/8"	3/8"	222064N
5/8"	5/8"	5/8"	221984



P.T. Female	A Tubing O.D.	Elbow Service New Pc. No.
1/8"	1/4"	221977N
1/4"	3/8"	205135
3/8"	3/8"	205830
1/2"	5/8"	221983



P.T. Male	A Tubing O.D.	Connector Service New Pc. No.
1/8"	1/4"	205127N
1/8"	3/8"	205509N
1/4"	1/4"	205183N
1/4"	5/16"	205054
1/4"	3/8"	205053
1/4"	1/2"	217690N
3/8"	3/8"	205824N
3/8"	1/2"	217525N
3/8"	5/8"	216685
1/2"	3/8"	222063
1/2"	1/2"	217691N
1/2"	5/8"	216684N
1/2"	3/4"	217621N
3/4"	1/2"	217689N
3/4"	3/4"	215762
3/4"	1"	225786N
1"	1"	215763

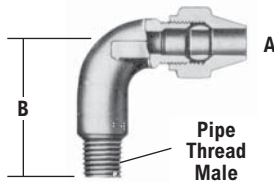


P.T. Male	A Tubing O.D.	B Height to Tubing Center	Elbow Service New Pc. No.
1/8"	1/4"	3/4"	205539N
1/8"	3/8"	31/32"	205522N
1/4"	1/4"	15/16"	224318N
1/4"	3/8"	31/32"	205102N
1/4"	3/8"	1-7/16"	222858N
1/4"	1/2"	1-1/8"	220475N
3/8"	3/8"	15/16"	205829N
3/8"	1/2"	1-1/8"	215709N
3/8"	5/8"	1-5/32"	221993N
1/2"	3/8"	1-5/16"	222062N
1/2"	1/2"	1-5/16"	216310N
1/2"	5/8"	1-3/8"	221825N
3/4"	1/2"	1-5/16"	221536N
3/4"	5/8"	1-5/16"	229108N
3/4"	3/4"	1-3/8"	216520N

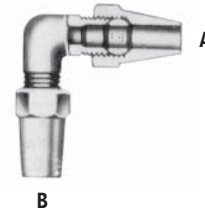
## Tubing Fittings (cont.)



Reducing Bushing Pc. No.	Pipe Thread	
	A	B
<b>Brass</b>		
212862N	3/8"	1/4"
230130N	1/2"	1/4"
230808N	1/2"	3/8"
<b>Steel</b>		
212349N	1/2"	3/8"
234680	3/4"	1/2"



P.T. Male	A Tubing O.D.	B Height to Tubing Center	Elbow Pc. No.
1/8"	3/8"	1-7/8"	215953
1/2"	3/4"	1-3/8"	217504N



A Tubing O.D.	B Tubing O.D.	Elbow Pc. No.
3/8"	3/8"	205113

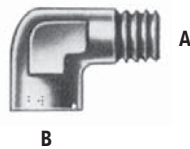


P.T. Male	A Tubing O.D.	Elbow (45°) Pc. No.
1/4"	3/8"	220722N
3/8"	3/8"	220291
3/8"	1/2"	220292
1/2"	3/8"	225650
1/2"	1/2"	227162
1/2"	5/8"	222065

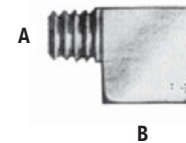
## Miscellaneous Fittings

V.M.R.S. 13-009-016

P.T.		Street Elbow 90° Pc. No.
A	B	
<b>Brass</b>		
1/8"	1/8"	233567
1/4"	1/4"	233568
3/8"	3/8"	233569N
1/2"	1/2"	233570
3/4"	3/4"	233571



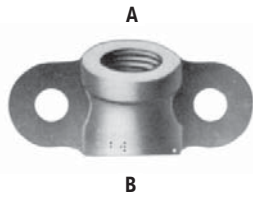
P.T.		Reducing Elbow 90° Pc. No.
A	B	
<b>Brass</b>		
1/8"	1/4"	232871N



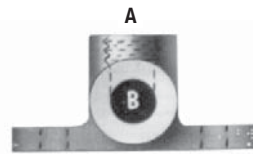
P.T.		Pipe Elbow Pc. No.
A	B	
<b>Brass</b>		
1/4"	1/4"	202915



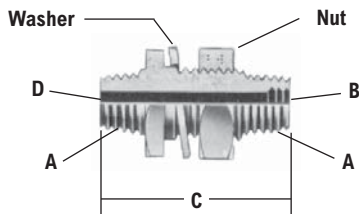
## Miscellaneous Fittings (cont.)



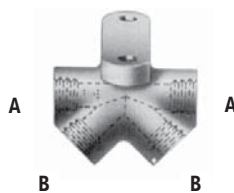
A Pipe Tap	B Pipe Tap	Anchor Elbow Pc. No.
1/4"	1/4"	201030N
3/8"	3/8"	212765N



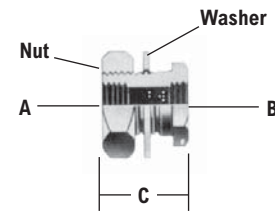
A Pipe Tap	B Pipe Tap	Anchor Elbow Pc. No.
1/4"	1/4"	201010N
3/8"	3/8"	233420N



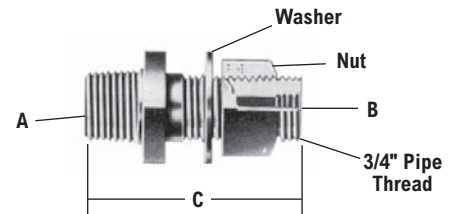
A P.T.	B Pipe Tap	C Length	D Pipe Tap	Clamping Stud Pc. No.
1/2"	1/4"	2-15/16"	—	205730N
1/2"	1/4"	3-15/16"	—	223464
1/2"	1/4"	2-15/16"	1/4"	228146



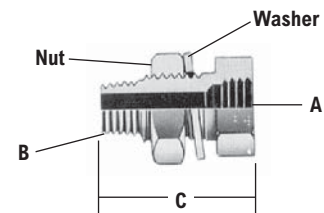
A Pipe Tap	B Pipe Tap	Manifold Fitting Pc. No.
3/8"	1/4"	210398N



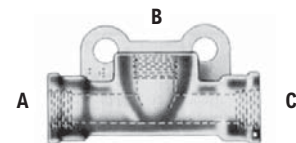
A Pipe Tap	B Pipe Tap	C Length	Anchor Coupling Pc. No.
1/8"	1/8"	1-17/32"	225740N
1/4"	1/4"	31/32"	221204N
1/4"	1/4"	1-17/32"	205465N
3/8"	3/8"	1-5/16"	217709N



A P.T.	B Pipe Tap	C Length	Clamping Stud Pc. No.
1/2"	1/4"	1/8"	205498N
1/2"	1/4"	2-1/2"	205499



A Pipe Tap	B P.T.	C Length	Anchor Coupling Pc. No.
3/8"	3/8"	1-7/8"	215672N



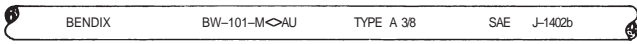
A Pipe Tap	B Pipe Tap	C Pipe Tap	Anchor Tee Pc. No.
1/4"	3/8"	1/4"	231379N
3/8"	3/8"	3/8"	236056N
3/8"	1/2"	3/8"	239727N



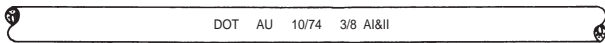
TYPE BW-101-M TYPE A HOSE is standard for all flexible connections in the air brake system where conditions do not require larger hose. They are most commonly used for Brake Chamber Hose connections, or Trailer Hose connections.

Identify by inside and outside diameters and continuous marking on the outside surface.

### 3/8" I.D. TYPE A (FRONT VIEW)



### BACK VIEW



BW-101-M HOSE is available as follows:

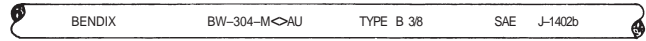
PC. NO.	DESCRIPTION
285496	50 Ft. Coil Carton

**ORDER BY  
PIECE NUMBER**

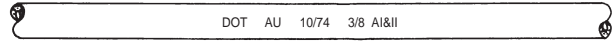
BW-304-M TYPE B HOSE is standard for all flexible connections in the air brake system where conditions do not require larger hose. It is most commonly used for Brake Chamber Hose connections, or Trailer Hose connections.

Identify by inside and outside diameters and continuous markings on the outside surface.

### 3/8" I.D. TYPE B (FRONT VIEW)



### BACK VIEW



BW-304-M HOSE is available as follows:

PC. NO.	DESCRIPTION
277546	50 Ft. Coil Carton
285497	100 Ft. Coil Carton
285498N	250 Ft. Coil Reel

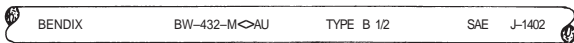
**ORDER BY  
PIECE NUMBER**

TYPE BW-432-M TYPE B HOSE is of similar construction to BW-101-M TYPE B HOSE but has larger inside and outside diameters. It is used in special cases requiring larger hose than the standard Type BW-101-M.

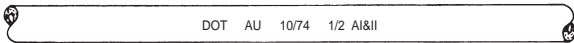
Identify by inside and outside diameters and continuous markings on the outside surface.

BW-127-M HOSE is available in a maximum length of 50 Ft. It is supplied as follows:

### 1/2" I.D. TYPE B (FRONT VIEW)

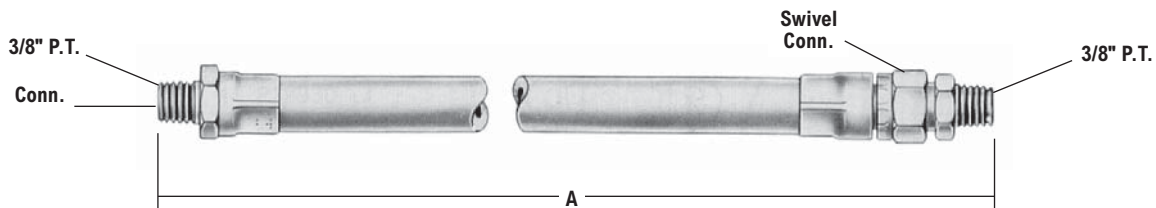


### BACK VIEW



PC. NO.	DESCRIPTION
5005978	100 Ft. Coil Bulk
5005979	250 Ft. Coil Bulk
5006705	50 Ft. Coil Bulk

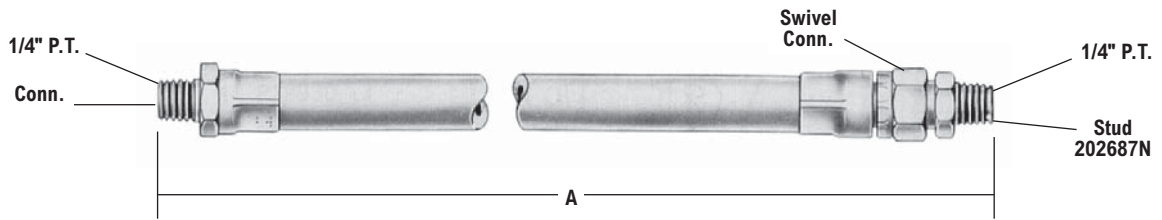
**ORDER BY  
PIECE NUMBER**



BW-432-M Type B 1/2" I.D. x 7/8" O.D.

1/2" I.D. TYPE B HOSE

A Overall Length	Hose Assembly Pc. No.	A Overall Length	Hose Assembly Pc. No.	A Overall Length	Hose Assembly Pc. No.	A Overall Length	Hose Assembly Pc. No.	A Overall Length	Hose Assembly Pc. No.
18"	5005961	24"	5005964	32"	5005968	38"	5005971	46"	5005975
20"	5005962	26"	5005965	34"	5005969	40"	5005972	48"	5005976
22"	5005963	28"	5005966	36"	5005970	44"	5005974	60"	5005977



BW-304-M Type B 3/8" I.D. x 3/4" O.D.

3/8" I.D. TYPE B HOSE

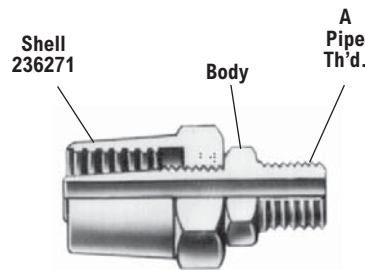
A Overall Length	Hose Assembly Pc. No.	A Overall Length	Hose Assembly Pc. No.	A Overall Length	Hose Assembly Pc. No.	A Overall Length	Hose Assembly Pc. No.
15-1/8	228533	24-7/8	228544N	32	228552	45-1/8	228563
18-5/8	228535	26-7/8	228547	34-3/8	228554	50-1/8	228565
20-3/8	228539	27-5/8	228548	36-1/8	228555	54-1/8	228566
22-5/8	228541N	29-1/8	228549	38-1/8	228557	68-5/8	228567
24-1/8	228472	30-1/8	228550	42-5/8	228561		

FOR 3/4 O.D. x 3/8 I.D. HOSE

### Hose Connector

For BW-101-M & BW-304-M Hose

A P.T.	Hose Connector Pc. No.	Body Pc. No.
1/4"	226134	236268
3/8"	226135	236269
1/2"	226136	236270

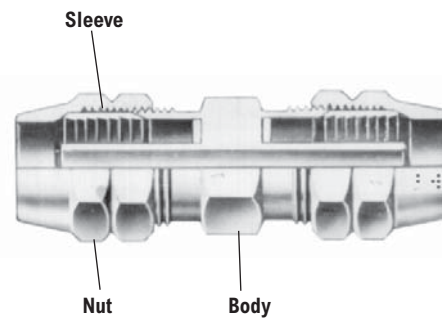


FOR 3/4 O.D. x 3/8 I.D. HOSE

### Hose Union

For BW-101-M & BW-304-M Hose

Hose Union Pc. No.	Body Pc. No.	Sleeve 2 Required Pc. No.	Nut 2 Required Pc. No.
216678	216694	203610N	203624

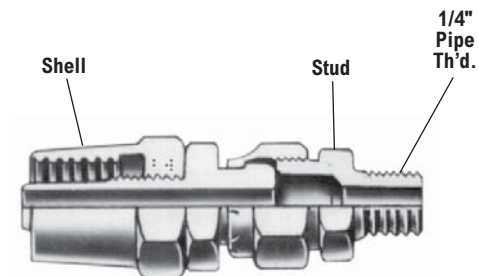


FOR 3/4 O.D. x 3/8 I.D. HOSE

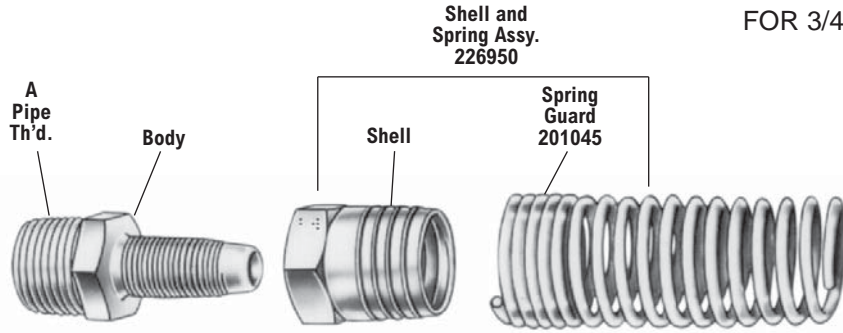
### Hose Connector (Swivel)

For BW-101-M & BW-304-M Hose

Hose Connector (Swivel) Pc. No.	Stud Pc. No.	Shell Pc. No.
226293N	202687N	236271

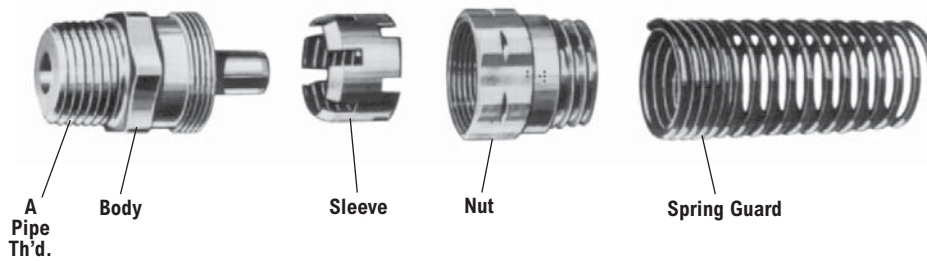


FOR 3/4 O.D. x 3/8 I.D. HOSE



Hose Connector with Spring Guard For BW-101-M & BW-304-M Hose

A P.T.	Hose Connector with Spring Guard Pc. No.	Body Pc. No.
1/4"	226137	236268
3/8"	226138	236269
1/2"	226139N	236270



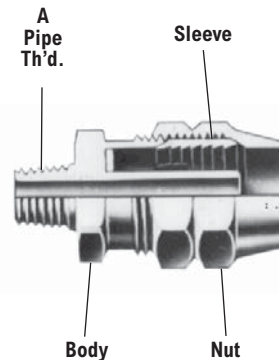
Hose Connector with Spring Guard

A P.T.	For Hose	Body Pc. No.	Sleeve Pc. No.	Nut Pc. No.	Spring Guard Pc. No.	Hose Connector with Spring Guard Pc. No.
1/4"	3/8" I.D. Types A & B	215993	203610N	203613	201045	215536N
3/8"	3/8" I.D. Types A & B	233470	203610N	203613	201045	223907N
3/8"	7/16" I.D. Types A & B	216173	204741	204742	204743	216172
1/2"	3/8" I.D. Types A & B	215992	203610N	203613	201045	215535N

## Hose Fittings

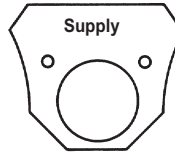
### Hose Connector

A P.T.	For Hose No.	Hose Connector Pc. No.	Body Pc. No.	Sleeve Pc. No.	Nut Pc. No.
1/2"	BW-101 & 304-M	215539	215992	203610N	203624
1/4"	BW-101 & 304-M	215540N	215993	203610N	203624
3/8"	BW-127 & 348-M	217604	216173	204741	212318
3/8"	BW-101 & 304-M	224887	233470	203610N	203624

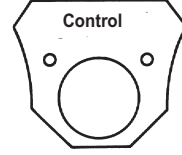


## Hose Suspension Spring

Description	Spring Pc. No.
3/4" Dia.-Std.	200661N
1" Dia.-H.D.	249393
1-1/16" Dia.-H.D.	249394



**Connection Tag**  
For 'Supply' Hose Line  
Pc. No. 201499N



**Connection Tag**  
For 'Control' Hose Line  
Pc. No. 201500N

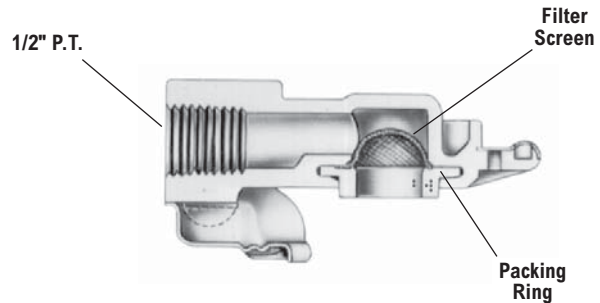
## Hose Couplings

V.M.R.S. 13-010-030  
13-010-031

### Standard Die Cast

Pc. No.	Filter Screen Pc. No.	Coupling Identification
275150N	None	None
*275824	None	None
278698N	241839N	None

\* With 1/2" Nipple Pc. No. 212324N



### TRU-CUPL

### Hose Couplings

Hose Coupling Pc. No.	Filter Screen Pc. No.	Coupling Identification
278850N	None	Control
278851N	None	Supply
278852N	241839N	Control
278853N	241839N	Supply

## Filter Screen



Pc. No. 241839N  
Fits All Couplings

## Packing Rings



Pc. No. 213630N  
Standard

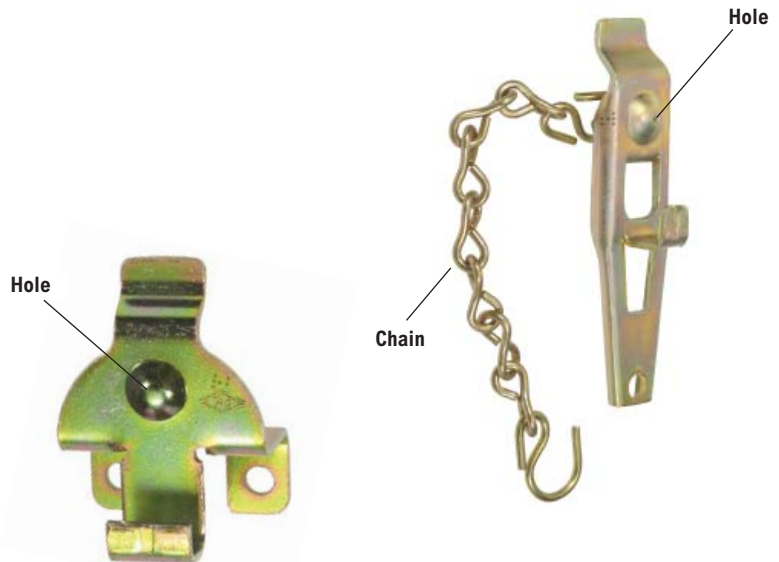


Pc. No. 248579  
Double Lip  
Fits All Couplings

## Dummy Couplings

Dummy Coupling with Chain Service New Pc. No.	Rivet Eye	Hole Dia.	Chain Pc. No.
220635N	None	1/8"	212930
220636N	None	None	212930
224810N	Included	None	212930
277994	None	None	212930

Dummy Coupling Service New Pc. No.	Hole Dia.
212227N	None
291991N	3/16"



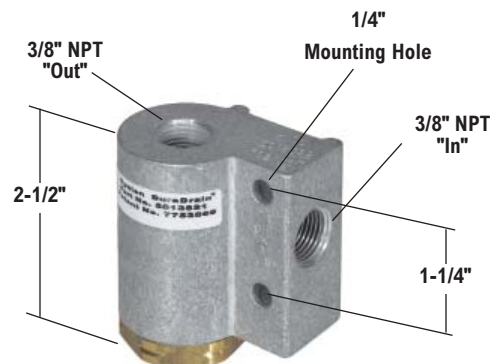
## Air Dryers 08

## Water Separator and Trailer Air Dryer

### Cyclone DuraDrain™ Water Separator

- Removes moisture
- Purge Nut Kit Pc. No. 5013824
- Mounting Spacer Kit Pc. No. 5014792

Service New Pc. No.
801747



### Trailer System-Guard® Air Dryer

- Removes both moisture and solid contaminants

Service New Pc. No.
800765



All Supply and Control ports 1/4" NPT



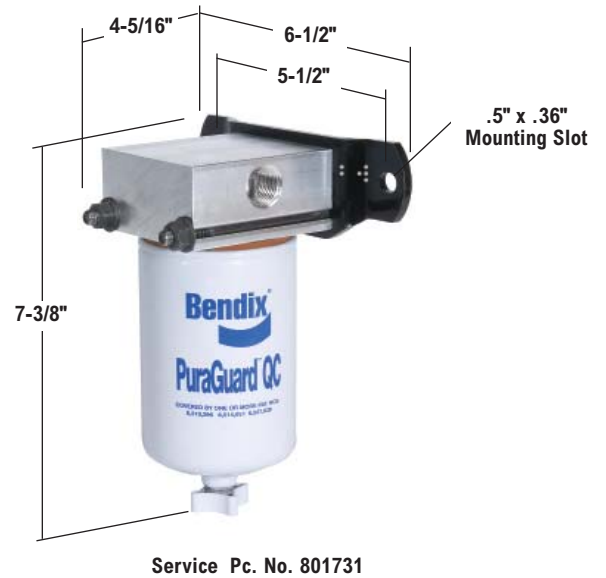
## PuraGuard® Filter

- For service new replacement assembly use PuraGuard® QC Filter Service Pc. No. 801731
- Maintenance Kit 5006788
- Rebuild Kit 5006789



## PuraGuard® QC Filter

- Mounting Bracket Kit Pc. No. 5013671N
- Cartridge Kit Pc. No. 5013672



## AF-3™ In-Line Filter

- Removes Solid Contaminants

Service New Pc. No.
801331



## AD-2® Air Dryer

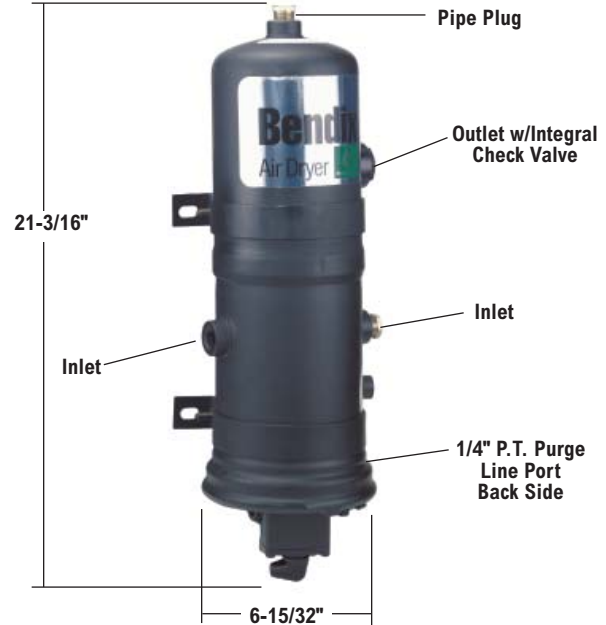
- End Cover Available Remanufactured Exchange  
V.M.R.S. 13-010-033

### AD-2® Air Dryer Field Installation Kits For Trucks

Reman. Exch. Pc. No.	Service New Pc. No.	Inlet/Outlet Size	Remarks
286934RX	286934N	1/2" P.T.	12 V.D.C. - 60 W. Heater

### Service/Maintenance Information Maintenance Kits:

Service New Pc. No.	Description
286718	Desiccant Cartridge Refill Kit
287313	Desiccant Cartridge Kit
101900X	Reman. Desiccant Cartridge
287298N	Check Valve Maintenance Kit
287053N	Purge Valve Maintenance Kit
102657N	Thermostat Maintenance Kit
288918	Thermostat Cover Maintenance Kit



### End Covers

Reman. Exch. Pc. No.	Service New Pc. No.	Remarks
103253RX	-	24 V.D.C. - 120 W. Heater
286875RX	286875N	12 V.D.C. - 60 W. Heater
286876RX	286876	24 V.D.C. - 60 W. Heater

## AD-4® Air Dryer

### Reman. AD-4® Air Dryer Assemblies

AD-4® Air Dryer Reman. Exch. Pc. No.	AD-9® Service New Pc. No.	AD-9® Air Dryer Reman. Exch. Pc. No.	Heater Volts	Supply Ports	Comments
065041X	065225	5009378	12	1/2 P.T.	
065102X	065228	065228RX	12	3/4 P.T.	Extended Purge

### Maintenance Kits

Pc. No.	Description
102657N	Thermostat Kit (single term.)
103817	Major Kit
103818	Purge Valve Kit
103879	Seal Kit
103980N	End Cover Kit
103981	Desiccant Cartridge Kit
103982	Thermostat Kit (double term.)
104027N	Mounting Bracket Kit
104358RX	Reman. Desiccant Cartridge
288918	Thermostat Cover Kit (single)



## AD-9® Air Dryer

- More Desiccant Works Longer
- Compact Size Saves Space
- Remanufactured Exchange

V.M.R.S. 13-010-033

Pc. No.	Description
107800N	Check Valve Kit 1/2"
107799	Check Valve Kit 3/4"
107794X	Reman. Exchange – Desiccant Cartridge
107796	Service New – Desiccant Cartridge
107796PG	AD-9® Integrated PuraGuard® Coalescing Desiccant Cartridge Service New Kit
5004479	Hard Seat Purge Valve Kit 12V-75W
5004480	Hard Seat Purge Valve Kit 24V-75W
5004381	Hard Seat Purge Valve Kit 24V-100W
5005037	Hard Seat Purge Valve Maintenance Kit
800405	Soft Seat Purge Valve Kit 12V-75W
5004380	Field Modification Kit (Kit Pc. No. 800405 Included)
5004338	Soft Seat Purge Valve Kit 24V-75W
5005893	Soft Seat Purge Valve Kit Maintenance Kit
5004339	DLU Purge Valve Kit 12V-75W
5004340	DLU Purge Valve Kit 24V-75W
5004341X	Reman. Soft Seat Purge Valve Asm. Kit 12V-75W
5004342X	Reman. Soft Seat Purge Valve Asm. Kit 24V-75W
109578	Heater & Thermostat Kit 12V-75W
109579	Heater & Thermostat Kit 24V-75W
5002595	Heater & Thermostat Kit 24V-100W
109871N	Heater Electrical Splicing Kit
5003838	Exhaust Cover Kit - AD-9® air dryer only
K021189	Silencer Kit
107695	Bracket Kit
113209	Universal Mounting Plate
*K041395	Universal Check Valve Kit

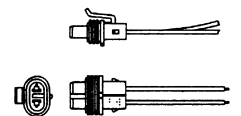
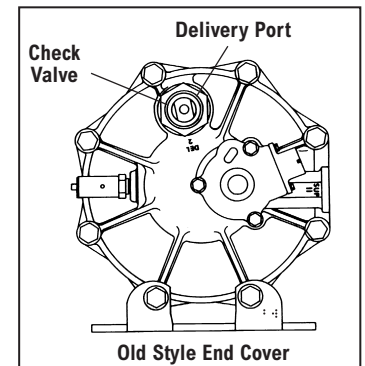
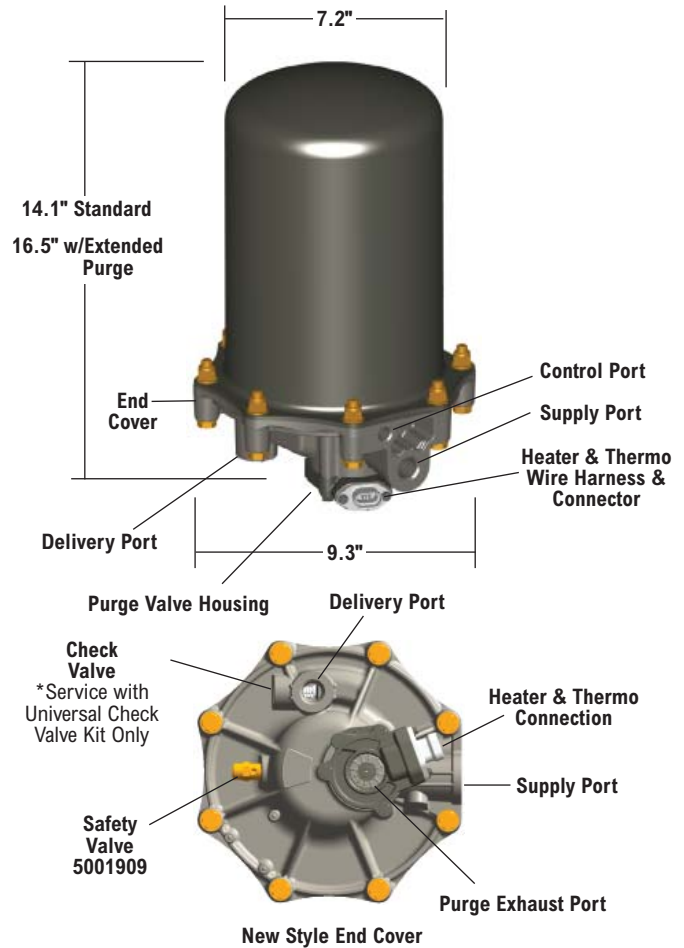
Detail Parts or assemblies not displaying a part number and not contained in a kit ARE NOT AVAILABLE

Service New Pc. No.	Reman. Exch. Pc. No.	Purge Volume	Purge Valve	Port Size	Heater	Notes
065225	109685X	Std.	Hard	1/2"	12V / 75W	
065226	109687X	Std.	Hard	3/4"	12V / 75W	
800243	–	Std.	Hard	3/4"	24V / 100W	
065650	109689X	Std.	Soft	1/2"	12V / 75W	
065651	109690X	Std.	Soft	3/4"	12V / 75W	
065652	109691X	Extend	Soft	3/4"	24V / 75W	
065499	–	Std.	DLU	1/2"	12V / 75W	
065605	–	Std.	DLU	3/4"	24V / 75W	
065647	–	Std.	Soft	1/2"	12V / 75W	Drop In**
065243	5000205X	Extend	Hard	1/2"	12V / 75W	
065228	065228RX	Extend	Hard	3/4"	12V / 75W	
800686	–	Extend	Hard	1/2"	24V / 75W	
065227	109688X	Extend	Hard	3/4"	24V / 75W	
803106	5020297X	Std.	Hard	1/2"	12V / 75W	Freightliner DTNA - Cascadia***
K054865	–	Std.*	Hard	1/2"	12V / 75W	

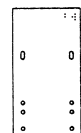
\* Uses Integrated PuraGuard® Coalescing Desiccant Cartridge

\*\*For use with Holset Series QE Compressors only

\*\*\*Other AD-9® air dryer models can not be used in this application.



Wiring Harness & Connector  
Pc. No. 109871N



Universal Mounting Plate  
Pc. No. 113209

## AD-SP® Air Dryer

- System Purge

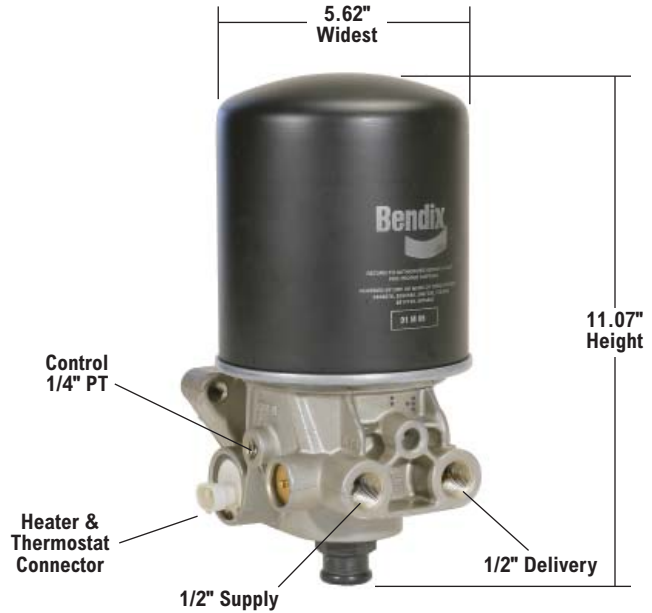
V.M.R.S. 13-010-033

### AD-SP® Air Dryers & Field Installation Kits

AD-SP® Air Dryer w/ SC-PR™ Valve Service New Pc. No.	AD-SP® Air Dryer Service New Pc. No.	Heater & Thermostat Volts-Watts (See Note 2)
131031	800887	12v-90w
131032	800972	24v-90w

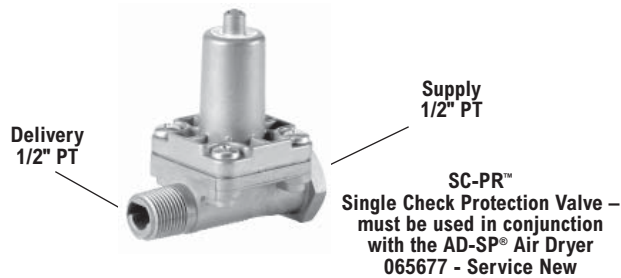
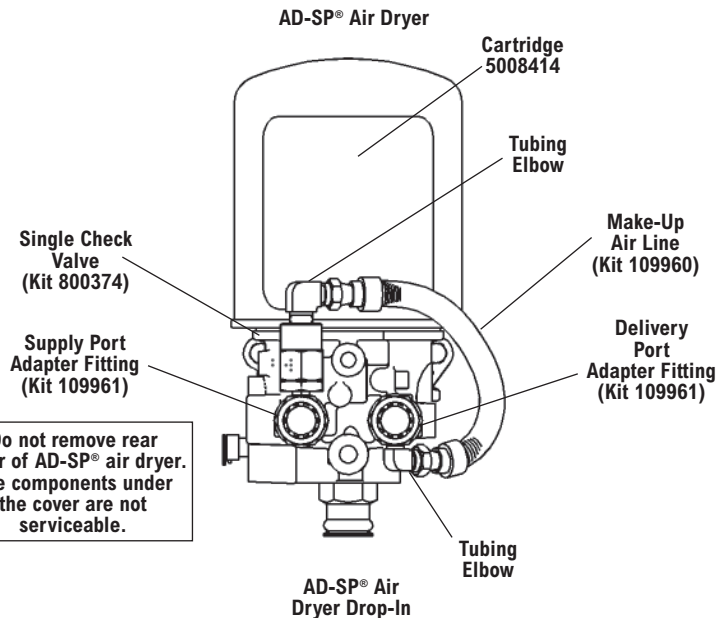
Note 1: All replacement air dryers include 109871N, wire harness and splice kit.

Note 2: 12 & 24 volt AD-SP® air dryers are identified by connector color – White = 12v, Gray = 24v



### Maintenance Kits

- Desiccant Cartridge Kit ..... 5008414
- Purge Valve Kit ..... 109995
- Check Valve Kit ..... 5005624
- Silencer Kit ..... K021189
- Turbo Cut-off Kit ..... 109993
- Heater & Thermostat Kit
  - 12V ..... 109495
  - 24V ..... 109496
- Wire Harness & Splice Kit ..... 109871N
- Integrated PuraGuard®
  - Coalescing Cartridge Kit ..... 5008414PG
- Mounting Bolt Kit ..... 5001201



## AD-IP® Air Dryer

• Integral Purge Air Dryer

V.M.R.S. 13-010-033

Description	Pc. No.
Cartridge Bolt Kit	109498
Desiccant Cartridge Service New	065624
Desiccant Cartridge Remanufactured	109493X
Delivery Check Valve Kit	109494
Exhaust Cover Kit	5011327
*Extended Purge Kit 3/8" U-Bolt	5012561N
*Extended Purge Kit 1/2" U-Bolt	5005309N
12 Volt Heater & Thermostat Kit	109495
24 Volt Heater & Thermostat Kit	109496
Integrated PuraGuard® Coalescing Desiccant Cartridge Service New Kit	065624PG
Mounting Bracket Kit	5001247
Silencer Kit	K021189
Wire Harness & Splice Kit	109871N

\*For extended purge air dryers only; includes 90 in³ reservoir.

**For purge valve kits see the AD-IS® and AD-IP® Air Dryer Purge Valve Maintenance Kits on page 87.**

Service New Pc. No.	Reman. Exch. Pc. No.	Supply Port	Delivery Port	Heater & Thermo. Volts-Watt	Comments
065612	109477X	1/2" PT	1/2" PT	12v - 90w	Notes 2, 3, 4, 5
065613	109478X	1/2" PT	1/2" PT	24v - 90w	Notes 2, 3, 4, 5
065693	109503X	1/2" PT	1/2" PT	12v - 90w	Notes 1, 2, 3
800089	5000985X	1/2" PT	1/2" PT	12v - 90w	Notes 2, 3, 4, 5
800618	5006234X	1/2" PT	1/2" PT	24v - 90w	Notes 2, 3, 4, 5, 6
800576	5005556X	1/2" PT	1/2" PT	12v - 90w	Notes 2, 3, 4, 5, 6

Note 1 - No upper or lower mounting bracket.

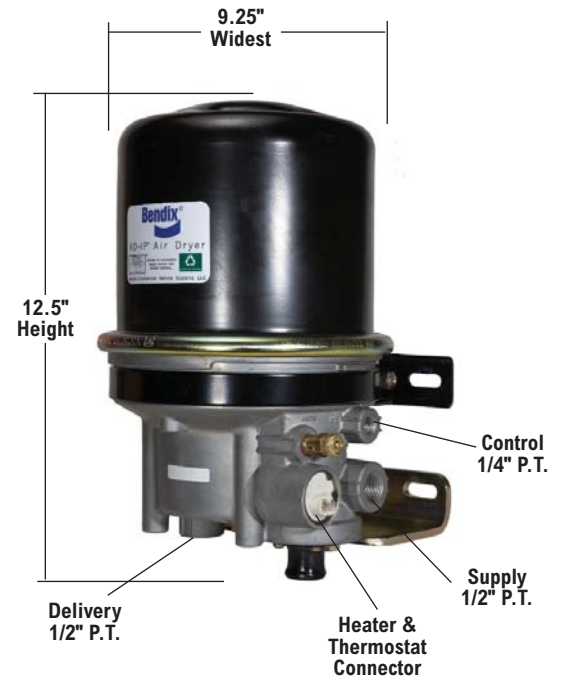
Note 2 - All replacement air dryers include 109871N (wire harness and splice kit).

Note 3 - 12 & 24 volt air dryers are identified by connector color - White = 12v, Gray = 24v

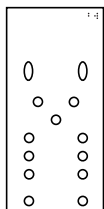
Note 4 - Center to center of slots in both mounting brackets 5.64 inches

Note 5 - Includes 5001247 (mounting bracket kit)

Note 6 - Extended Purge



AD-IP® Drop-In Air Dryer



**Universal Mounting Plate**

**Pc. No. 113209**

(Can be used to mount any Bendix® air dryer to vehicle)



**Exhaust Cover Kit 5011327**



**Wire Harness Assembly**  
(Use Kit 109871N)

### AD-IP® Drop-In Air Dryer

Service Pc. No.	Reman. Pc. No.	Supply Port	Delivery Port	Heater & Thermo. Volts-Watt	Comments
800067	5000709X	1/2" PT	1/2" PT	12v - 90w	Notes 1, 2, 3

Note 1 - All replacement air dryers include 109871N (wire harness and splice kit) and 5001247 (mounting bracket kit).

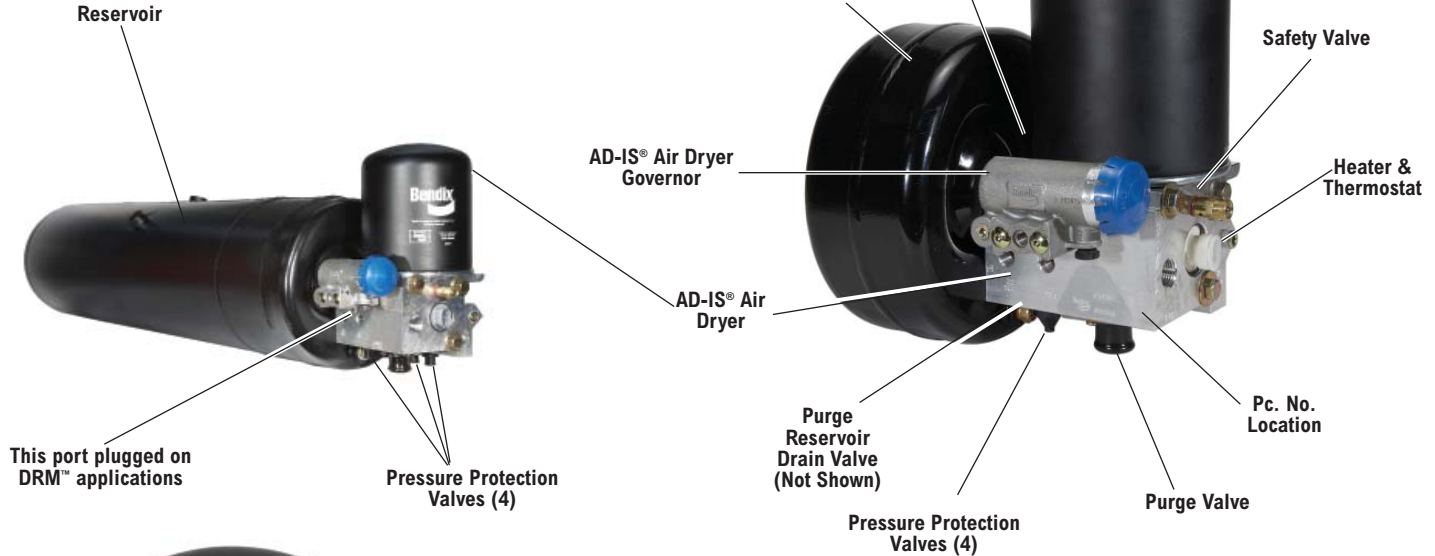
Note 2 - 12 & 24 volt air dryers are identified by connector color - White = 12v, Gray = 24v

Note 3 - Includes Drop-In Check Valve Kit

## AD-IS® Air Dryer

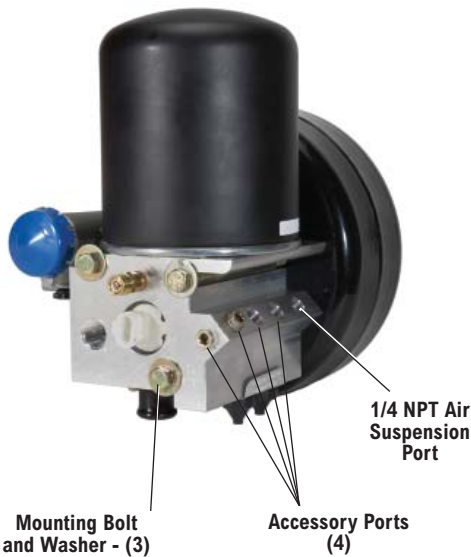
- Spin on cartridge

V.M.R.S. 13-010-033



This port plugged on DRM™ applications

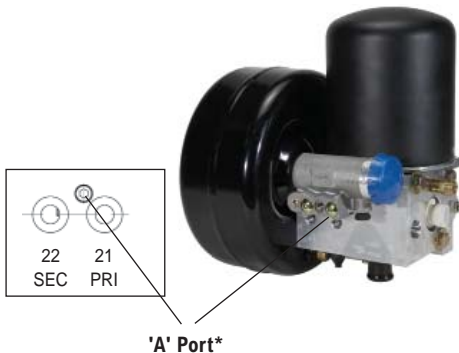
Pressure Protection Valves (4)



1/4 NPT Air Suspension Port

Mounting Bolt and Washer - (3)

Accessory Ports (4)



'A' Port\*

\*AD-IS® air dryers with a plugged port 'A' can not be interchanged with those that do not have a port in this location.

### KITS AND SERVICE PARTS

Delivery Check Valve Replacement Kit . . . . .	5004052
Desiccant Cartridge Replacement Kit . . . . .	5008414
Drain Valve . . . . .	5004961N
Governor and Check Valve Replacement Kit . . . . .	5004049
Governor Gasket . . . . .	5007834
Heater & Thermostat Replacement (12 volt) . . . . .	109495
Heater & Thermostat Replacement (24 volt) . . . . .	109496
Integrated PuraGuard® Coalescing Desiccant Cartridge Service New Kit . . . . .	5008414PG
Mounting Bolt Kit . . . . .	5009233
Protective Boots (for pressure protection valves) . . . . .	5005163
Safety Valve . . . . .	800350
Splash Shield Kit (includes bracket and cover) . . . . .	5006698
Splash Shield Cover . . . . .	5005266N
Silencer Kit . . . . .	K021189
Wiring Harness & Splice Kit . . . . .	109871N

### Specialty Kits

Adapter Block and Check Valve Kit . . . . .	5011033
Delivery Check Valve Kit for Adapter Block . . . . .	5011034
Exhaust Cover Kit for Purge Valve . . . . .	5011327
Governor (KB low range) and Check Valve Kit . . . . .	5010935

### NOTES:

1. For purge valve kits see the AD-IS® and AD-IP® Air Dryer Purge Valve Maintenance Kits on page 87.
2. There are no kits available for the pressure protection valves. These are not serviceable items - see warning below.

### WARNING:

Do not attempt to adjust or service the Pressure Protection valves. Incorrect pressure protection valve settings can result in automatic application of vehicle spring brakes without prior warning.





Pc. No. on AD-IS® Air Dryer (Ref.)	'A' Port*	Service Pc. No.	Reman Pc. No.	Primary Port	Primary Port Opening Pressure	Secondary Port	Secondary Port Opening Pressure	Accessory Ports Opening Pressure	Suspension Port Opening Pressure	Heater Voltage (90 Watt)	Comments
5005921 (Note 2)	—	800959	5008871X	1/2" PTC	103psi	1/2" PTC	109psi	55psi	85psi	12	GMT560-C (obsolete)
5008296 (Note 2)	Plugged	801145	5010104X	1/4" NPT	106psi	1/4" NPT	106psi	106psi	106psi	24	Orion Bus
5008925 (Note 2)	—	—	5008871X	1/2" PTC	103psi	1/2" PTC	109psi	55psi	85psi	12	GMT560-T (obsolete)
5010134	Plugged	801147	5010133X	1/4" NPT	106psi	1/4" NPT	106psi	106psi	106psi	12	Generic 12V
5010135	Plugged	801147	5010133X	1/4" NPT	106psi	1/4" NPT	106psi	106psi	106psi	12	Generic 12V
5010212	Plugged	801164	5010211X	1/4" NPT	106psi	1/4" NPT	106psi	106psi	106psi	24	Generic 24V
5010213	Plugged	801164	5010211X	1/4" NPT	106psi	1/4" NPT	106psi	106psi	106psi	24	Generic 24V
5010694 (Note 1)	Plugged	801266	5010696X	1/4" NPT	103psi	1/4" NPT	109psi	109psi	109psi	12	Peterbilt
5010900	Plugged	810301	5010924X	1/4" NPT	103psi	1/4" NPT	103psi	103psi	109psi	12	DLU Operation
5015533	Plugged	801266	5010696X	1/4" NPT	103psi	1/4" NPT	109psi	109psi	109psi	12	Kenworth
5015534	Plugged	801266	5010696X	1/4" NPT	103psi	1/4" NPT	109psi	109psi	109psi	12	Kenworth
5016364 (Note 2)	Plugged	802191	—	1/4" NPT	106psi	1/4" NPT	106psi	106psi	106psi	12	International
5016420 (Note 2)	—	802174	5008871X	1/2" PTC	103psi	1/2" PTC	109psi	55psi	85psi	12	GMT560-C (obsolete)
5016421 (Note 2)	—	802174	5008871X	1/2" PTC	103psi	1/2" PTC	109psi	55psi	85psi	12	GMT560-T (obsolete)

Note 1 - Contains three Accessory ports - all other AD-IS® air dryers shown have 4 Accessory ports.

Note 2 - AD-IS® air dryer has 1/4" NPT auxiliary inlet port.

### AD-IS® and AD-IP® Air Dryer Purge Valve Maintenance Kits

Original Kit Piece Number	Description	Configuration / Installation	Replacement Kit Piece Number
800404	Purge Valve Assembly Kit for climate conditions above -40°C (-40°F)	AD-IS® / AD-IP® Air Dryer	K022105
		AD-IS® / AD-IP® EverFlow® air dryer modules AD-IP® Drop-In Air Dryer	K031560
5017687	Arctic Purge Valve Assembly Kit for climate conditions between -40°C to -50°C (-40°F to -58°F)	AD-IS® / AD-IP® Air Dryer	K031559
		AD-IS® / AD-IP® EverFlow® air dryer modules AD-IP® Drop-In Air Dryer	K031561
5009650	Purge Valve Assembly Kit for climate conditions above -40°C (-40°F)	AD-IP® Air Dryer Discharge Line Unloader	K031562
5017682	Arctic Purge Valve Assembly Kit for climate conditions between -40°C to -50°C (-40°F to -58°F)	AD-IP® Air Dryer Discharge Line Unloader	K031563
5003547	Purge Valve Maintenance Kit for climate conditions above -40°C (-40°F)	Purge valve maintenance kits will no longer be offered. Select the appropriate purge valve assembly kit from those shown above that best matches your application.	
5017683	Arctic Purge Valve Maintenance Kit for climate conditions between -40°C to -50°C (-40°F to -58°F)		

## DRM™ Dryer Reservoir Module with AD-IS® Air Dryer

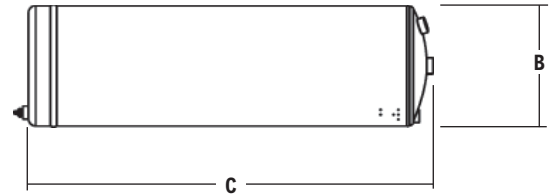
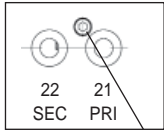


Figure 1

### AD-IS® Air Dryer used on DRM™ Dryer Reservoir Module

AD-IS® Service New Pc. No.	AD-IS® Reman. Exch. Pc. No.	Pc. No. on AD-IS® Air Dryer (Reference)	'A' Port* Plug	Suspension Port	Accessory Ports (Qty.)	Heater Voltage (90 Watt)
800383	5004050X	5003424	without	1/4" NPT	1/4" NPT (4)	12
800838	5008332X	5007593	without	1/4" PTC	1/4" NPT (3) 3/8" PTC (1)	12
801100	5009483X	5009232	without	1/4" NPT	1/4" NPT (4)	12
801330	5011075X	5011074	without	none	none	12
801324	-	5011041	without	1/4" PTC	1/4" NPT (3) 3/8" PTC (1)	24



'A' Port



Service and Remanufactured AD-IS® air dryers do not include DRM™ Reservoirs or Purge Volume Reservoirs.

\*AD-IS® air dryers with a plugged port 'A' can not be interchanged with those that do not have a port in this location.

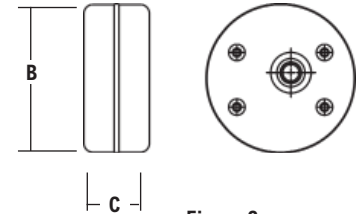


Figure 2

### Reservoirs for DRM™ Dryer Reservoir Module

Service New Pc. No.	'B' Dia.	'C' Length	Number of Compartments	Comments	Figure
5005313N	9"	53.5"	2	Steel	1
5009107N	9"	55.5"	2	Aluminum	1
5007588	9"	26"	3	Steel	1
5008939N	9"	29.8"	2	Steel	1
5009569N	12"	56.1"	3	Steel	1
5011548N**	9"	53.5"	3	Steel	1

\*\*for use on vehicle with FreedomLine transmission & has an integral 610 in<sup>3</sup> chamber

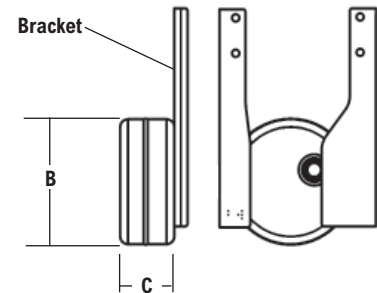


Figure 3

### Purge Volume Reservoirs

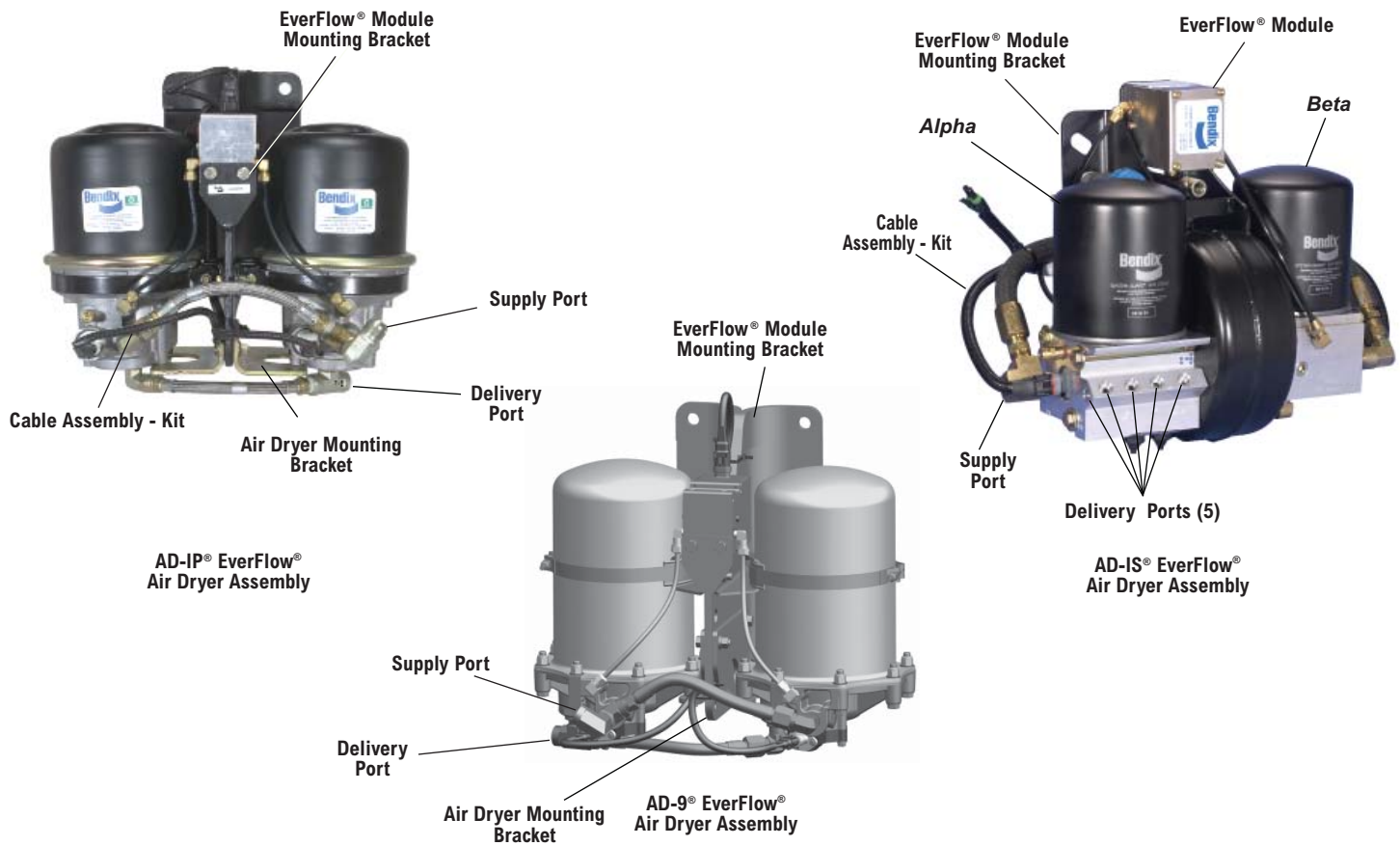
Service New Pc. No.	'B' Dia.	'C' Length	Volume (Cubic Inches)	Mounting Bracket	Figure	Comments
5009028N	9"	6"	300	4 Hole SAE Mtg.	2	Extended Purge
5008574	9"	3.9"	200	4 Hole SAE Mtg.	2	Standard
5011292	9"	3.9"	200	Included	3	Standard

PTC = Push to Connect

## EverFlow® Module Assembly

Service New Pc. No.	Voltage	Air Dryer				EverFlow®			Supply & Delivery Port Location
		Type	Service New Pc. No.	Reman. Exch. Pc. No.	Mounting Bracket	Module	Mounting Bracket	Cable Assembly Kit	
801032	12	AD-9®	065650	109689X	5009610	800685	5008483	5008484	Shown
800801	12	AD-IP®	065693	109503X	5001247	800685	5008483	5008484	Shown
801288	24		065613	109478X		800722			
802121	12	AD-IS®	802114 alpha	DNA	5017324	800685	Part of Dryer Bracket	5015949	Shown
802537			802115 beta						Opposite

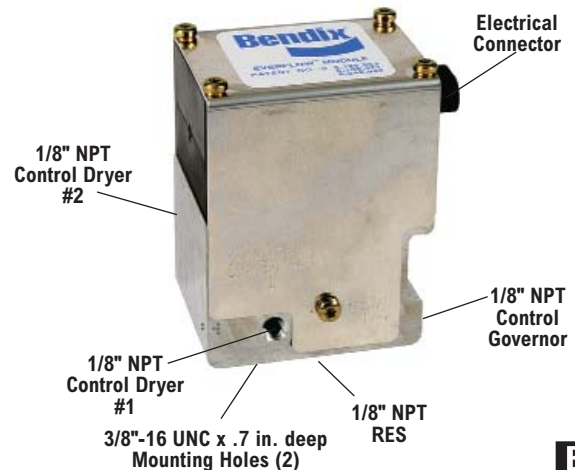
For model specific service kits see the individual air dryer page.



## EverFlow® Air Dryer Module

Retrofit Kit* Service New Pc. No.	Service New Pc. No.	Voltage
800684	800685	12 V
800723	800722	24 V

\*Includes EverFlow® module & hardware – does not include air dryers.



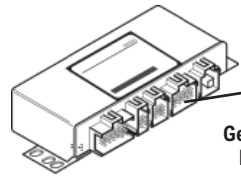
Air Dryer Cartridge Part Numbers shown in **BOLD** provide the increased performance of Bendix® PuraGuard® Oil Coalescing Technology, and are recommended by Bendix for all applications.

Vehicle Make	Air Dryer Model		Vehicle Year			
			Pre-2004	2004 - 2006	2007 - 2009	2010
			Emission Standard			
			Pre-EPA '04	EPA '04	EPA '07	EPA '10
Volvo/Mack	AD-9®	Service New	<b>107796PG</b> 107796		<b>107796PG</b>	
		Reman	<b>107794PG</b> 107794		<b>107794PG</b>	
	AD-IP®	Service New	<b>065624PG</b> 065624		<b>065624PG</b>	
		Reman	<b>109493PG</b> 109493		<b>109493PG</b>	
	AD-IS®	Service New	<b>5008414PG</b> 5008414		<b>5008414PG</b>	
	<i>NOTE: PuraGuard® Coalescing Cartridges required for all models beginning in 2008 model year.</i>					
Freightliner & Western Star	AD-9®	Service New	<b>107796PG</b> 107796		<b>107796PG</b>	
		Reman	<b>107794PG</b> 107794		<b>107794PG</b>	
	AD-IP®	Service New	<b>065624PG</b> 065624		<b>065624PG</b>	
		Reman	<b>109493PG</b> 109493		<b>109493PG</b>	
	DRM™ / AD-IS®	Service New	<b>5008414PG</b> 5008414		<b>5008414PG</b>	
	<i>NOTE: PuraGuard® Coalescing Cartridges required for all vehicles equipped with DD-13 and DD-15 engines.</i>					
Kenworth & Peterbilt	AD-IS® AD-SP® AD-IS® EverFlow®	Service New	<b>5008414PG</b> 5008414		<b>5008414PG</b>	
International	AD-9®	Service New	<b>107796PG</b> 107796		<b>107796PG</b>	
		Reman	<b>107794PG</b> 107794		<b>107794PG</b>	
	AD-IP® / AD-IP® EverFlow®	Service New	<b>065624PG</b> 065624		<b>065624PG</b>	
		Reman	<b>109493PG</b> 109493		<b>109493PG</b>	
	AD-IP®	Service New	<b>065624PG</b> 065624		<b>065624PG</b>	
		Reman	<b>109493PG</b> 109493		<b>109493PG</b>	
	AD-IS®	Service New	<b>5008414PG</b> 5008414		<b>5008414PG</b>	
	Bus/RV/Other	AD-9® / AD-9® EP / AD-9® EverFlow®	Service New	<b>107796PG</b> 107796		<b>107796PG</b>
Reman			<b>107794PG</b> 107794		<b>107794PG</b>	
AD-IP® / AD-IP® EP / AD-IP® EverFlow®		Service New	<b>065624PG</b> 065624		<b>065624PG</b>	
		Reman	<b>109493PG</b> 109493		<b>109493PG</b>	
AD-IS® / AD-IS® EP / AD-IS® EverFlow®		Service New	<b>5008414PG</b> 5008414		<b>5008414PG</b>	
<i>NOTE: Consult manufacturer specifications to verify the specific application cartridge requirement, PuraGuard® Coalescing Cartridges are recommended by Bendix.</i>						

**For Fan Clutch Information  
Visit [www.kit-masters.com](http://www.kit-masters.com)  
or call 1-800-810-9110.**

## EC-30™ Electronic Controller

EC-30™ ECU



Gen 4/5 ECU

Connectors are black

Service New Pc. No.	Sensors/ Modulators	Traction Control	Engine Communication	J1939 Dash Support	Customers Include (Comments)
801167	4S/4M	Yes	J1939	Yes	International
801173	6S/4M	Yes		-	International
801177	4S/4M	Yes		Yes	International
801180	6S/4M	Yes		-	Freightliner / Mack
801199	6S/4M	Yes		Yes	GMC
801202	6S/4M	Yes		Yes	GMC
801227	6S/4M	Yes		-	Volvo
801228	6S/4M	Yes		-	-
801239	6S/4M	Yes		-	Mack
801233	6S/4M	Yes	J1939, J1922	-	Volvo (EC-16™ / EC-17™ ECU Service Replacement)
801234	6S/4M	Yes		-	GMC (86 Tooth Tone Ring - EC-17™ ECU Service Replacement)
801235	6S/4M	Yes		-	GMC (100 Tooth Tone Ring - EC-17™ ECU Service Replacement)
801236	6S/4M	Yes		-	(EC-16™ / EC-17™ ECU Service Replacement)
801238	4S/4M	-	J1939	-	-
801335	6S/4M	Yes		-	-
801205	4S/4M	-		-	GMC (100 Tooth Tone Ring)
801206	4S/4M	-		-	GMC (86 Tooth Tone Ring)

## Gen 4/5 Electronic Controller

OE Pc. No.	Service New Pc. No.	Sensors/ Modulators	Traction Control	Engine Communication	Mounting	Comments		
300130	801764	6S/6M	Yes	J1939	Frame	24 Volt		
300199	801765	4S/4M	Yes	J1922		-		
300208	801759	4S/4M	Yes	J1939		-		
300345, 300367	801755	6S/6M	Yes			J1939	Configured as 6S/4M ABS <sup>1</sup>	
300368, 5012926	801758						-	
5012608	801762	4S/4M	-	-				
300222	300222N	4S/4M	-	No	Cab	-		
300342	801752			J1939		Yes	J1939	Configured as 6S/4M ABS <sup>1</sup>
300344, 5006806	801753	6S/6M	Yes					Use for a 6 x 2 vehicle with a tag axle
5012582	801754	6S/6M	Yes					

<sup>1</sup> ECU reconfiguration required for 6S/6M and/or Traction Control. The following tools can be used for reconfiguration: Bendix® ACom™ Diagnostic Software (free download available from [www.bendix.com](http://www.bendix.com)), or Nexiq Pro Link application card (Nexiq p/n 804001).

NOTE: Gen 4/5 ECUs were formerly marketed under the Eator® brand name



## Bendix® EC-60™ Advanced Cab ECU

• All shown have traction control and communicate over J1587 and J1939

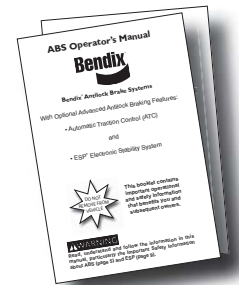


EC-60™ Advanced

Customer	OE Pc. No.	Service New Pc. No.	Stability Configuration	Sensors/ Modulators	Supply Voltage	PLC
Volvo, Mack	802780	K031692*	Electronic Stability Program (ESP)	4S/4M	12	Yes
	5018531					
	K022161					
	K040157					
-	801905	K039393				
	803082					
	5012231					
	5019416					
	K023054					
	K038368					
International	803146	K039393				
	5016144					
	5020080					
	K033963					
	K033964					
	K034014					
PACCAR	K040122	K039393				
	K021136					
	K021415					
	K021416					
	K024560					
	K025766					
International	K025780	K041711	Roll Stability Program (RSP)			
	K041759					
	802054					
	803147					
	5015578					
	5020081					
	K033968					
	K033969					
K034015						
K040121						

**IMPORTANT**

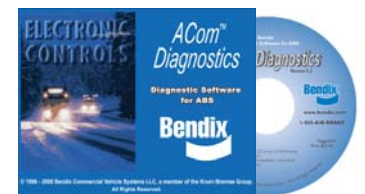
The vehicle VIN number must be specified when ordering Bendix® EC-60™ Advanced ECUs, since the ECU is individually configured for the vehicle.



**Bendix® Antilock Brake Systems Operator's Manual**  
**BW2489 (ESP)**  
**and BW2499 (RSP)**  
 Available on [www.Bendix.com](http://www.Bendix.com)

\*Aftermarket part number K031692 for Volvo & Mack ESP configured vehicles is only available through a Volvo or Mack dealer.

**Note:** It is recommended that the part number being replaced is verified and cross-referenced to the aftermarket replacement number from the part itself or read back through the OEM's service tool or Bendix® ACom® diagnostics.



**Bendix® ACom® Diagnostic Software**  
**BW2329 (visit [www.bendix.com](http://www.bendix.com))**

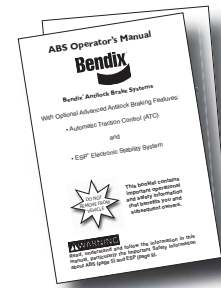
**Bendix® EC-60™ Standard Cab ECU**

• All shown communicate over J1587 and J1939

Customer	OE Pc. No.	Service New Pc. No.	Sensors/ Modulators	Supply Voltage	PLC	Notes	
-	801876	K039381	4S/4M	12	Yes	PLC operation for International	
	801877						
	5012226						
	K038358						
	K038360						
PACCAR	K021134	K041718					
	K021414						
	K041767						
International	802130	K041718					
	5016139						
	K040114						
	802136	K041720					Configured for J1939 control of ABS warning lamp
	5016145						
	K020367						
	K020833						
	K040116						
	802325						
	5016357						
	K020368						
K020834							
K040115							



EC-60™ Standard (Cab)

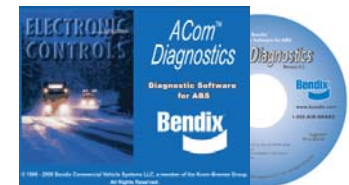


**Bendix® Antilock Brake Systems Operator's Manual BW2489 (ESP) and BW2499 (RSP)**  
Available on [www.Bendix.com](http://www.Bendix.com)

**Bendix® EC-60™ Standard Frame ECU**

• All shown communicate over J1587 and J1939

Customer	OE Pc. No.	Service New Pc. No.	Sensors/ Modulators	Supply Voltage	PLC	Notes
-	801879	K039532	4S/4M	12	Yes	
	5012228					
	5020281					
	K020841					
	K038362					
	K038363					
	802131					
	5016140					
K040077						
International	802132	K041714			PLC operation for International	
	5016141					
	K020369					
	K020832					
GM	5015991	802831			No	Includes mounting bracket; retarder disable via relay
	5018131	802833				



**Bendix® ACom® Diagnostic Software BW2329** (visit [www.bendix.com](http://www.bendix.com))



EC-60™ Standard (Frame)

**Note:** It is recommended that the part number being replaced is verified and cross-referenced to the aftermarket replacement number from the part itself or read back through the OEM's service tool or Bendix® ACom® diagnostics.

## Bendix® EC-60™ Premium Cab ECU

• All shown are traction control capable and communicate over J1587 and J1939.

Customer	OE Pc. No.	Service New Pc. No.	Sensors/ Modulators	Supply Voltage	PLC	Notes
-	801880	K039698	4S/4M	12	Yes	
	803167					
	5012229					
	5013147					
	5013148					
	5020000					
PACCAR	K021135	K048751	4S/4M	12	Yes	Configured to receive J1939 signals for ABS and ATC switches from PACCAR vehicles
	K021412					
	K041761					
	K041775					
International	802133	K041721	4S/4M	12	Yes	Configured for J1939 control of ABS warning lamp
	803168					
	5016142					
	5020001					
	K040117					
	802324	K041722				PLC operation for International
	5016356					
	K022285					
K022568						
Volvo, Mack	802781	K034569	4S/4M	12	Yes	J1939 and J1587 messages configured per Volvo/Mack requirements
	5018530					
	5018581					
	K019671					
	K034397					
Generic	801882	K039712	4S/4M	24	No	
	5012251					
	K038365					

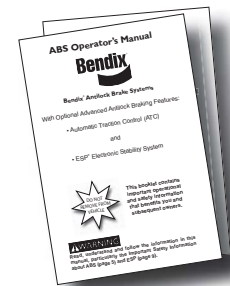


**EC-60™ Premium (Cab)**

Notes:

- It is recommended that the part number being replaced is verified and cross-referenced to the aftermarket replacement number from the part itself or read back through the OEM's service tool or Bendix® ACom® diagnostics.

- Premium ECU's may be modified by the OEMs during installation. The part may require re-configuration using the OEM's service tool or Bendix® ACom® diagnostics.



**Bendix® Antilock Brake Systems Operator's Manual BW2489 (ESP) and BW2499 (RSP)**  
Available on [www.Bendix.com](http://www.Bendix.com)

## Bendix® EC-60™ Premium Frame ECU

• All shown have traction control and communicate over J1587 and J1939.

Customer	OE Pc. No.	Service New Pc. No.	Sensors/ Modulators	Supply Voltage	PLC	Notes
-	801881	K039622	4S/4M	12	Yes	
	5012230					
	5013149					
	5013150					
	5020008					
	K019237					
	K038366					
International	802134	K041715	4S/4M	12	Yes	PLC operation for International
	5016143					
	K020822					
	K020823					
Oshkosh	K040079	K039623	6S/4M	24	No	
	K038367					



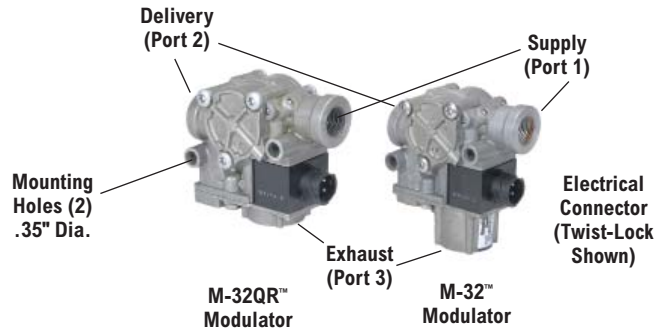
**Bendix® ACom® Diagnostic Software BW2329** (visit [www.bendix.com](http://www.bendix.com))



**EC-60™ Premium (Frame)**

## M-32™ and M-32QR™ AntiLock Modulators

V.M.R.S. 13-011-071



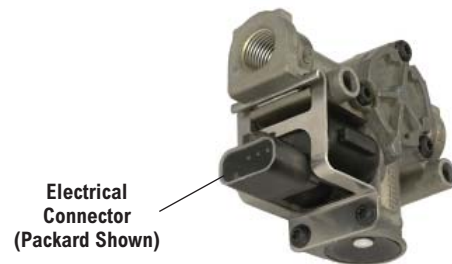
OE Pc. No.	Service New Pc. No.	Description	Exhaust Adapter	Supply Port	Delivery Port	Electrical Connector Type	Supply Voltage	Customers Include
300387	801665	M-32™ Modulator	-	1/2" NPT	1/2" NPT	Twist-Lock	12	Volvo, Mack, Peterbilt, Kenworth
5014706	801585		-	1/2" NPT	1/2" NPT	Packard		International
5016334	801456		-	5/8" PTC	1/2" STC			GM
5013223	801736		Straight snorkel	1/2" NPT	1/2" NPT	Metric thread	24	Oshkosh
5013224	801737		90° snorkel					-
5015514	802697		-					
5012961	801583	M-32QR™ Modulator	-	1/2" NPT	1/2" PTC	Packard	12	GM
5016344	801457		-	1/2" NPT	1/2" STC			International
5014705	801481		-	1/2" NPT	1/2" NPT			
5014704	801479		-	1/2" PTC	1/2" PTC	Bluebird		
5011281	801482		-	1/2" NPT	1/2" NPT		Twist-Lock	
5019258	802888		-		1/2" PTC	-		

PTC = Push-To-Connect NPT = Pipe Thread STC = Snap-to-Connect

## M-30™ to M-32™ and M-32QR™ AntiLock Modulator Changeover

- M-30™ antilock modulators are no longer available. M-32™ and M-32QR™ modulators are available for service.
- When replacing the M-30™ modulators on the steer axle, replace both with M-32™ modulators.

M-30™ Pc. No.	M-32™ Service New Pc. No.	M-30™ Pc. No.	M-32™ Service New Pc. No.
5005894	801481	5009304	801481
5005895	801479	5009305	801583
5006659	801481	5009306	801583
5008951	801481	5009308	801457
5009085	801456	5009309	801457
5009086	801456		

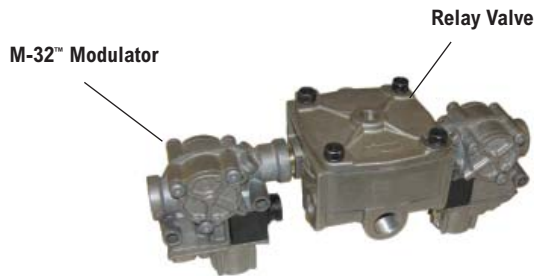


M-30™ Modulator (Superseded by the M-32™ and M-32QR™ modulators)

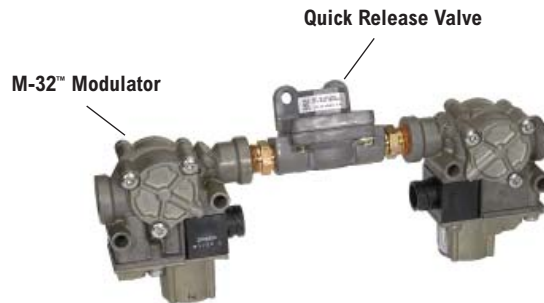
## Axle Modules

- Axle Module Service Assemblies are not available as a complete assembly. Service with individual components as needed.

OE Axle Module Pc. No.	Figure No.	Service Replacement Valve (Relay, Quick Release or Traction Relay)		M-32™ Modulator Service Replacement Pc. No. (Typically 2 are required) Pc. No.
		Pc. No.	Description	
5015283	1	801629	R-14® Relay Valve (4.0 psi)	801665
5017276			R-12® Relay Valve (5.5 psi)	
5011782		803115	ATR-3™ Traction Relay Valve (5.5 psi)	
5017071			ATR-3™ Traction Relay Valve (5.5 psi)	
5011740		801930	ATR-3™ Traction Relay Valve (5.5 psi)	
5020024		803115	R-12® Relay Valve (5.5 psi)	
K034765			R-12® Relay Valve (5.5 psi)	
K034767			R-12® Relay Valve (5.5 psi)	
K034768			R-12® Relay Valve (5.5 psi)	
K034778		803121	ATR-6™ Traction Relay Valve (4.0 psi)	
5020567	803170	ATR-6™ Traction Relay Valve (5.5 psi)		
5015631	Not shown	n/a	n/a	802888
5019619	2	229859N	QR-1® Quick Release Valve	802697



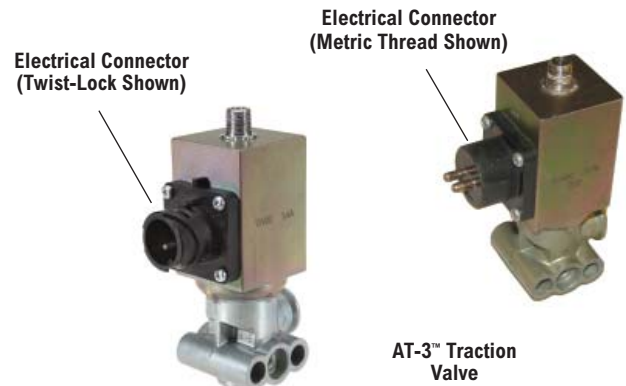
**Figure 1**  
Axle Module  
R-12° Relay Valve Version Shown  
(R-14®, ATR-3™ and ATR-6™ are similar)



**Figure 2**  
Axle Module  
Quick Release Valve Version

## AT-3™ Traction Valves

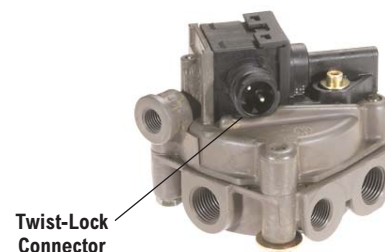
OE Pc. No.	Service Replacement Valve		Supply Voltage	Customers
	Pc. No.	Electrical Connector		
300128	801936	Metric Thread	24	Oshkosh
300354	801931	Twist-Lock	12	Mack, Volvo, Kenworth, Peterbilt
K025064				Navistar
K036918	K037085		24	—



AT-3™ Traction Valve

## ATR-3™ Traction Relay Valve

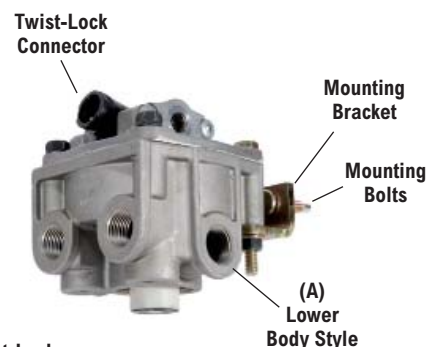
OE Pc. No.	Service New Pc. No.	Crack Pressure PSI	Supply Voltage	Mounting Bracket Included	Mounting Bracket	Customers
5014494	801932	4.0	12V	No	-	
5014497	801934			Yes	Mounting Slots – .52" long	Volvo
5018362	802749			Yes	Mounting Slots – .96" long	Volvo
300317	801930	5.5		No	-	
5014495	801933			Yes	Mounting Slots - .96" long	
5015755	802350			Yes	Mounting Bolts – 1.32" long	Kenworth
K002569	K019736	4.0	24V	No	-	



ATR-3™ Traction Relay Valve

## ATR-6™ Traction Relay Valve

OE Pc. No.	Service New Pc. No.	Crack Pressure PSI	Exhaust Port	Lower Body Style	Mounting Bracket Included	Supply Voltage	Customers
5020201	803121	4.0	-	B	No	12V	Volvo
5019764	803010		-		Yes		Kenworth
K040733	K042974		1/2-14 NPT				
K041063	K041117		Silencer				
K025600	K035622	-	A				
K035538							
5020205	803119	5.5	-	B	No	Kenworth	
K033317	803009	5.5	-	B	Yes		
K033319							



Twist-Lock Connector



ATR-6™ Traction Relay Valve

Exhaust Silencer



## ATR-1™ to ATR-6™ Traction Relay Valve Changeover

• ATR-1™ traction relay valves are no longer available. ATR-6™ traction relay valves and retrofit kits are available for service.

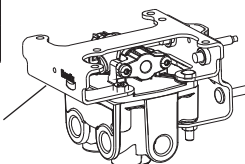
ATR-1™ Valve Pc. No.	ATR-6™ Valve Service New Pc. No.*	Crack Pressure PSI	Mounting Bracket	ATR-1™ Valve Connector Type	Harness Service Pc. No.	Supply Voltage
065516	K049444	4.0	See Bracket A	DT04-2P	K032114	12V
800030	K042710		5/16" x 1.35"			
5003921			5/16" x 1.35"	DTM06-2S-E007	K032115	
800818	K023889		5/16" x 1.35"			
5008259			K023891	M8 x .95"		
801127						
5009773						



ATR-1™ Traction Relay Valve



Harness Pc. No. K032114



A Mounting Bracket



Harness Pc. No. K032115

\*All the ATR-6™ traction relay valves have a twist lock connector type; the replacement part numbers include a harness adapter.



## MC-30™ Trailer ABS Modules

- The MC-30™ Trailer ABS Modules are available for service.
- All service assemblies contain J1587.

OE Pc. No.	Service New Pc. No.	Description	Mounting	Default Configuration	Auto-Configurable To:	PLC
5007642	800736	MC-30™ Trailer ABS Module	Tank	4S/2M - Side	2S/2M - Axle; 2S/1M	No
5007644	800737		Tank		2S/2M - Axle; 2S/1M	Yes
5008502	800736		Tank		2S/2M - Axle; 2S/1M	No
5008264	800819		Bracket		2S/2M - Axle; 2S/1M	No
5009157	801033		Bracket		2S/2M - Axle; 2S/1M	Yes
5010565	801267	EC-30™ Trailer ABS ECU	-		2S/2M - Axle; 2S/1M	No
5010566	801268		-		2S/2M - Axle; 2S/1M	Yes



MC-30™ Trailer ABS

## A-18™ Trailer ABS Modules

- The A-18™ Trailer ABS Modules are no longer available. TABS-6™ kits are available for service.

A-18™ Pc. No. (Reference Only)	Description	Bendix® TABS-6™ Replacement Kits						
		With Short - 60" Pigtail			With Long - 234" Pigtail			
		2S/1M	2S/2M - Side	4S/2M - Side	2S/1M	2S/2M - Side	4S/2M - Side	
300340	Trailer ABS ECU	K019708	-	-	K019711	-	-	
300341			K019709	K019710		K019712	K019713	
300266	-		-	-		-		
300267	-		-	-		-		
300268	-		-	-		-		
300269	-		-	-		-		
300358	-		-	-		-		
300359	-		-	-		-		
300360	-		-	-		-		
300213	Trailer ABS Module		K019709	K019710		K019712	K019713	
300362								
300364								



A-18™ Trailer ABS



TABS-6™ Trailer ABS

## MC-12™ Trailer ABS Modules

- The MC-12™ Trailer ABS Modules are no longer available. TABS-6™ kits are available for service.
- The MC-12™ was only available in 2S/1M configurations.

Description	Bendix® TABS-6 Replacement Kits				
	With 60" 5-pin ABS Pigtail	With 234" 5-pin ABS Pigtail	With 18" 4-pin ABS Pigtail	With 96" 4-pin ABS Pigtail	With 180" 3-pin ABS Pigtail
MC-12™ ABS Assembly for Trailers	802893	802902	802900	802898	802896
MCE-12™ ABS Assembly for Dollies	802894	802901	802899	802897	802895



MC-12™ Trailer ABS

## TABS-6™ Trailer ABS Module

- All TABS-6™ Trailer ABS Modules communicate over PLC and have a 4 port relay



TABS-6™ Trailer ABS

OE Pc. No.	Service New Pc. No.	Description	Default Configuration	Auto-Configurable To:	J1587 Direct Wires Available	PLC
5014015	801855	TABS-6™ Standard	2S/1M	None	No	Yes
5014016	801856	TABS-6™ Premium	2S/1M - Dolly	2S/2M - Side; 4S/2M - Side; 4S/3M - Side/Axle	Yes	
5014112	801990	TABS-6™ Standard	2S/1M - Dolly	None	No	
5014113	801991	TABS-6™ Premium	2S/1M	2S/2M - Axle; 4S/2M - Axle	Yes	

## TABS-6™ Advanced Trailer ABS with Stability Control Module

- User is required to verify proper configuration with Bendix and perform installation test using ACom® diagnostic software
- All TABS-6™ Advanced modules are 2S/1M; have a 4 port relay and may be nipple mounted to a reservoir



TABS-6™ Advanced Trailer ABS

OE Pc. No.	Service New Pc. No.	Description	Default Configuration				PLC	CAN Available	
			Axle Spacing (inches)	Mounting Orientation (degrees)	Offset (inches) - side	Air Suspension Empty			Air Suspension Loaded
K029053	K029141	TABS-6™ Advanced	49"	270°	10" curb	13 psi @ 8k	82 psi @ 34k	Yes	Yes
K041383	K041385	TABS-6™ Advanced	49"	90°	0"	14 psi @ 9k	83 psi @ 34k		
K027233	K028577	TABS-6™ Advanced	49"	270°	10" curb	11 psi @ 8k	69 psi @ 34k		

## TABS-6™ Advanced Multi-Channel Trailer ABS with Stability Control Module

- User is required to verify proper configuration with Bendix and perform installation test using ACom® diagnostic software
- All TABS-6™ Advanced Multi-Channel modules have 6 delivery ports and must be frame mounted



TABS-6™ Advanced Multi-Channel Trailer ABS

OE Pc. No.	Service New Pc. No.	Description	Configuration	Default Configuration					PLC	CAN Available
				Axle Spacing (inches)	Mounting Orientation (degrees)	Offset - side (inches)	Air Suspension Empty	Air Suspension Loaded		
K026500	K028522	TABS-6™ Advanced MC	4S/2M - Side	49"	0°	0"	9 psi @ 7k	70 psi @ 34k	Yes	Yes
K028920	K028974	TABS-6™ Advanced MC	4S/2M - Side	121"	0°	0"	9 psi @ 7k	82 psi @ 40k		



Bendix® ACom® Diagnostic Software BW2329 (visit [www.bendix.com](http://www.bendix.com))

**BR9235™ ABS Modulator/Relay Valve**

OE Pc. No.	Service New Pc. No.	Description	Supply	Delivery
5012023	801993	Modulator Relay Valve	3/4" NPT	4 x 3/8" NPT
5012024	801994	Modulator Relay Valve with Bracket	3/4" NPT	4 x 3/8" NPT

**BR9235™  
ABS Modulator/  
Relay Valve**

**TABS-6™ Harnesses and Cables**

OE Pc. No.	Service New Pc. No.	Description	Length
300258	802025	WS-24™ Wheel Speed Sensor Extension	80"
5015531	802052		60"
5019464	802946		260"
5015014	801996	ECU Pigtail - Standard 2S/1M	Power - 60"
5015016	801998		Power - 234"
5015018	802000	ECU Pigtail - Advanced or Premium 2S/1M	Power - 9", Diagnostic - 9"
K022146	K025647	ECU Pigtail - Advanced MC 4S/2M or 2S/2M	Power - 9"
K025593	K025621	Advanced MC - CAN diagnostic	Diagnostic - 9"
5015019	802001	ECU Pigtail - Premium 2S/1M	Power - 60", Diagnostic - 9"
5015021	802003		Power - 234", Diagnostic - 9"
5015023	802005	ECU Pigtail - Premium 2S/2M	Power - 60", Modulator - 36", Diagnostic - 9"
5015025	802007		Power - 234", Modulator - 36", Diagnostic - 9"
5015027	802009	ECU Pigtail - Premium 4S/2M	Power - 60", Modulator - 36", Sensors - 60", Diagnostic - 9"
5015029	802011		Power - 234", Modulator - 36", Sensors - 60", Diagnostic - 9"
5013352	802016	Trailer Power Harness	120" 5-pin Packard, Non-Terminated Warning Lamp - 10"
5013353	802017		780" 5-pin Packard, Non-Terminated Warning Lamp - 10"
5013343	802018	BR9235™ Remote Modulator Harness	36"
5019463	802947		280"
5007833	800790	J1587 / J1708 Remote Diagnostic Harness	120"
5009193			

**TABS-6™ Service Replacement Components**

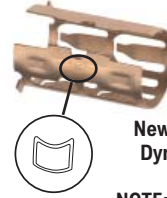
Service New Pc. No.	Description
802028	TABS-6™ Standard / Premium / Advanced connector cover
K048189	TABS-6™ Advanced MC connector cover
K016644	TABS-6™ Standard connector lever
801924	TABS-6™ Standard / Premium / Advanced control line filter
K040542	TABS-6™ Advanced MC 12 pin connector plug
K048190	TABS-6™ Advanced MC silencer

**WS-24™ Wheel Speed Sensors**



0° (Straight)  
Bendix® WS-24™ Wheel Speed Sensors

90°  
Bendix® WS-24™ Wheel Speed Sensors



Clamping Sleeve  
Pc. No. 801534  
Included with all service new WS-24™ Sensors

New universal clamping sleeves have a Dynamark symbol stamped as shown.

NOTE: Early WS-20™ clamping sleeves have "BW" in a diamond symbol stamped and cannot be used for WS-24™ sensors.

OE Pc. No.	Service New Pc. No.	Body Style	Harness Length	Connector Type	Customers Include
300083	801544	90°	12"	DIN	Trailer OEMs.
K028296	K029519	Straight			
300084	801538	90°	75"		Peterbilt, Kenworth
300087	801542	Straight	78"		Kenworth, Mack
300150	801541	90°	63"		Volvo, Blue Bird
300151	801543	Straight	66"		Peterbilt, Kenworth, Volvo
K034750	K034753	90°	90"	Utility	
5012266	801549	90°	60"	DT04	International
5012267	801550	90°	75"		
5012268	801551	90°	40"		
5012269	801552	Straight	75"		
5012270	801553	Straight	40"		

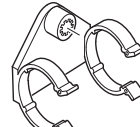
**Connectors Available**

<p><b>Delphi Metripack Series Connector CP 150.2</b></p>	<p><b>Delphi Metripack Series Connector GT 150</b></p>
<p><b>A P (280M)</b></p>	<p><b>B P (280F)</b></p>
<p><b>Delphi Metripack 280 Series Connectors</b></p>	
<p><b>Deutsch DTM06-2S Connector</b> NOTE: Deutsch model number "DTM06-2S" molded into connector body</p>	<p><b>Deutsch DT04-2P Connector</b> NOTE: Deutsch model number "DT04-2P" molded into connector body</p>
<p><b>Standard 2-Pin DIN Barrel Connector</b></p>	

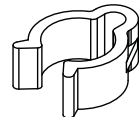
**WS-20™ Wheel Speed Sensor Replacements**

• WS-20™ wheel speed sensors are no longer available

WS-20™ Pc. No.	WS-24™ Service New Pc. No.	Body Style	Harness Length	Connector Type
065517	801566	90°	75"	Packard (150.2)
065518	801566			
550657	801566		60"	Deutsch DTM
5000889	801546			
5005707	801546	Straight	63"	Packard (150.2)
5006663	801567			
5006664	801567			



Retainer for a 2-Pin DIN Connector  
Pc. No. 300122N



Hose Clip  
Pc. No. K044394  
(10 pieces)

**Previous Bendix Wheel Speed Sensors**  
The WS-24™ sensor fit and function is compatible with all previous Bendix wheel speed sensors (when used with correct clamping sleeve - see above).

## ESP® Sensors



SAS-60™  
Steering Angle Sensor

OE Pc. No.	Service New Pc. No.	Connector Type	Hub Color (Denotes Size)	Stability System Compatibility	Customers Include
<b>Steer Angle Sensor</b>					
5013702	K022678	90°	Tan	Bendix	Navistar, Kenworth, Peterbilt, Volvo, Mack
5018284	K022680	90°	Tan	Other	Freightliner
5015743	802144	Straight	Black	Other	Freightliner
5018418	K022679	Straight	Tan	Bendix	Navistar, Kenworth, Peterbilt, Volvo, Mack

OE Pc. No.	Service New Pc. No.	Model	Mounting Orientation Guides	Customers Include
<b>Yaw/Lateral Acceleration Sensor*</b>				
5013703	802126	YAS-60™	-	Navistar, Kenworth, Peterbilt, Volvo, Mack, Prevost
K0205682E4	K058836	YAS-70X™	-	Volvo, Mack
K0205682E4P	K048055		Included	Navistar, Kenworth, Peterbilt, Prevost
<b>Pressure Sensor</b>				
5005758	5008677	PS-60™	-	Navistar, Kenworth, Peterbilt

\*Yaw/Lateral acceleration sensor models and part numbers are not interchangeable.



PS-60™  
Pressure Sensor



YAS-70X™  
Yaw/Lateral Acceleration  
Sensor Package



YAS-60™  
Yaw/Lateral Acceleration  
Sensor Package

## Wingman® ACB Active Cruise w/ Braking

OE Pc. No.	Service New Pc. No. Radar Only	Service New Pc. No. w/Bracket*	Customers
K043283	K050057	K051410	Mack
K051105			
K051131		K051511	Volvo
K036725			
K052401			
K053778		K053126	Kenworth
K053351			
K055999		K056455	Peterbilt
K048620			
K056699			
K056700			
K050056		none	Navistar
K043225			



**Radar  
K050057**



**Radar Sensor with  
Mounting Bracket -  
(Kenworth K053126)**



**Radar Sensor with  
Mounting Bracket -  
(Peterbilt K053438)**

\*In the event that the mounting bracket has sustained physical damage, service the entire assembly using the Service New Pc. No. w/Bracket.



**Radar Sensor Cover  
K040237  
(for use with  
Radar Sensors  
K051511 and K051410)**



**Radar Sensor with  
Mounting Bracket -  
(Volvo K051511)**



**Radar Sensor with  
Mounting Bracket -  
(Mack K051410)**



**Bendix Wingman Operator's  
Manual BW2751  
Available on [www.Bendix.com](http://www.Bendix.com)**



**Wingman® ACB  
Alignment Tool  
K041451**

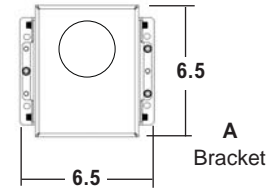


## Bendix™ VORAD® VS-400 Forward Looking Radar

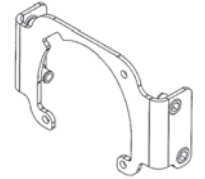
OE Pc. No.	Service New Pc. No.	Functionality			Bracket Type	Customers
		Collision Warning	SmartCruise			
			Adaptive Cruise Control	Range Adjustable		
VSFR-002	VSFR-002N K054325	Yes	-	-	None	Freightliner
VSFR-002H						International
						International
VSFR-003	VSFR-003N K054326	Yes	Yes	Yes	None	Freightliner
VSFR-003H						International
						International
VSFR-005P	VSFR-005N	Yes	Yes	-	None	Kenworth
VSFR-006	VSFR-006N	Yes	-	-	A	Volvo
VSFR-008	VSFR-008N	Yes	Yes	-	A	Volvo
VSFR-011	VSFR-011N	Yes	-	-	B	Freightliner
VSFR-017	VSFR-017N	Yes	-	-	C	PACCAR
VSFR-018	VSFR-018N	Yes	Yes	Yes	C	Peterbilt



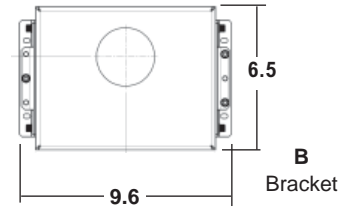
VS-400 Forward Looking Radar



A Bracket



C Bracket (Peterbilt)



B Bracket

## Forward Looking Radar Driver Display

OE Pc. No.	Service New Pc. No.	Volume Adjustable	Customers
VSDI-001	K045093	Yes	Freightliner
VSDI-001P			Peterbilt
VSDI-001P2			Kenworth
VSDI-001V			Volvo
VSDI-003			International
K040748			International
K046159			Kenworth



Forward Radar Driver Display

## BlindSpotter® Side Radar

OE Pc. No.	Service New Pc. No.	Customers
15671-001	15671-001N	Kenworth
15671-001P		Kenworth, Peterbilt
15671-001V		Volvo, Mack
VSSD-001		Freightliner
VSSD-001H		Navistar



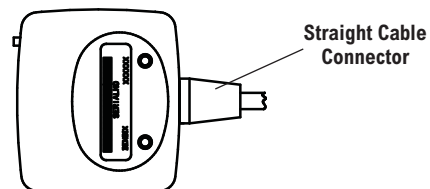
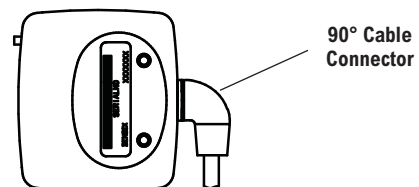
Side Radar

## BlindSpotter® Side Speaker

OE Pc. No.	Service New Pc. No.	Cable Connector	Customers
15670-001P1	15670-001N	Straight	Kenworth, Peterbilt
15670-001P2			Kenworth, Peterbilt
15670-001V			Volvo
VSSD-002			Freightliner
VSSD-003	VSSD-004N	90°	Navistar
VSSD-004			Freightliner



Side Speaker



## SmarTire™ Tire Pressure Monitoring Systems (TPMS) by Bendix CVS

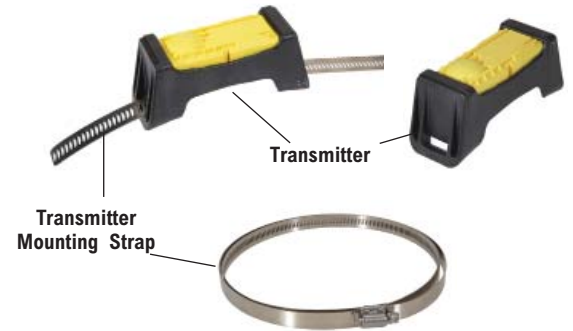
- Retrofit Kits, Service Parts and Tools

### SmarTire™ Tire Pressure Monitoring System Retrofit Kits

Retrofit Kit Pc. No.	Description
108.1006	SmarTire™ TPMS 6 Wheel Kit
108.1008	SmarTire™ TPMS 8 Wheel Kit (Coach)
108.1010	SmarTire™ TPMS 10 Wheel Kit
108.1206	SmarTire™ TPMS 6 Wheel Kit - Super Single

### Service Parts

OE Pc. No.	Service New Pc. No.	Description
201.0007	201.0007N	Transmitter
264.0332	264.0332N	Transmitter Mounting Strap (up to a 24-1/2" wheel)
200.0184	200.0184N	Receiver ECU
200.0179	200.0179N	Dash Display
240.0162	240.0162N	Antenna
269.0155	269.0155N	Wheel Rim Label
260.0309	260.0309N	System Harness
260.0232	260.0232N	40' Co-ax cable
260.0266	260.0266N	30' Co-ax cable
264.0318	264.0318N	Receiver ECU Mounting Bracket



Receiver ECU



Display



Antenna

Components Shown Above Are Included In Retrofit Kits

### Tools and Diagnostic Aids

Tool Pc. No.	Description
090.0011	SmarTire™ Maintenance Tool
090.0021	SmarTire™ LF Tool
108.9003	SmarTire™ Diagnostic Cable



Maintenance Tool



LF Tool



Diagnostic Cable

## Diagnostic Tools

Service New Pc. No.	Description
<b>Powered Vehicle Tools</b>	
801869	RDU - Remote Diagnostic Unit
801872	RDU adapter - J1587 (6 pin) to RDU adapter cable
802229	RDU adapter - J1939 (9 pin) to RDU adapter cable
K022055	Datalink Monitoring Unit
K041451	Wingman® ACB Alignment Tool
090.0011	SmarTire™ Maintenance Tool
090.0021	SmarTire™ LF Tool
<b>Trailer Tools</b>	
802162	TRDU - Trailer Remote Diagnostic Unit
802165	TRDU adapter - 7 pin adapter
800790	J1587 (6 pin) trailer diagnostic cable
K044767	J1939/ J1587 (9 pin) trailer diagnostic cable
<b>Software</b>	
BW2329	ACom® PC Diagnostic Software (free download available from <a href="http://www.bendix.com">www.bendix.com</a> , or order a CD from the Literature Center on <a href="http://www.bendix.com">www.bendix.com</a> )



RDU Adapter  
801872



RDU  
801869



RDU Adapter  
802229



DataLink™  
Monitor  
K022055



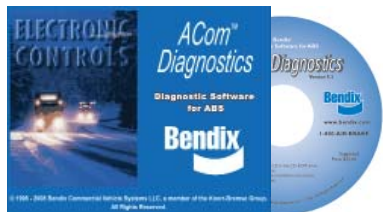
Wingman® ACB  
Alignment Tool  
K041451



Maintenance Tool  
090.0011



LF Tool  
090.0021



Bendix® ACom® Diagnostic Software  
BW2329 (visit [www.bendix.com](http://www.bendix.com))

TRDU  
802162



TRDU Adapter  
802165



Diagnostic Cable  
800790



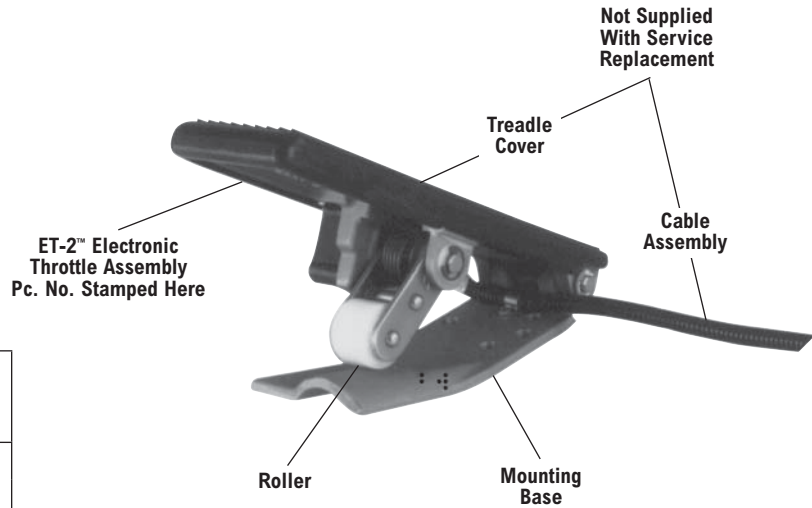
Diagnostic Cable  
K044767



### ET-2™ Electronic Throttle

- Pivot Pin Kit 550392
- Lever Shaft Spring Kit 550393

V.M.R.S. No. 44-007-047

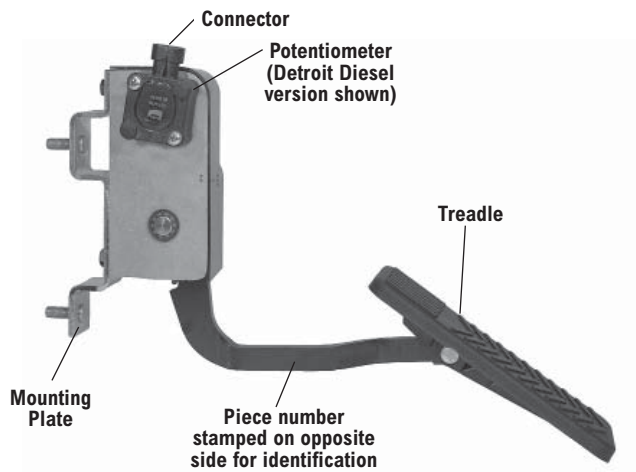


OE Pc. No.	Service New Pc. No.	Major Kit	Customer
550281	065320	550394	DDC
550546			
550604			
550482	065381	550543	Cummins
5004022	800347		
5006301	800638	5006362	
5006302			
5006578			
550615	065483	550403	Caterpillar
5002574			
5009751			

### ET-S2™ Electronic Treadle

V.M.R.S. No. 44-007-047

Service New Pc. No.	Treadle & Spring Kit	Potentiometer Replacement Kit	Customer	
800606	5006085	5002356	Cummins	
800607		5006086	DDC	
800608		5010163		Caterpillar
K019453				





From the company you trust for your heavy-duty foundation brake needs, comes Formula Blue® brake parts, a complete line of light- and medium-duty hydraulic brake parts for import and domestic vehicles, class 1 – 6.



### Brake Pads and Shoes

- Proven stopping performance
- Long service life
- Superior friction attachment
- Resistance to noise and kind to rotors

Formula Blue® medium-duty pads are available in both Heavy Duty grade – where maximum service life is essential – and Premium formulations, where quiet running is a must.



### Calipers

- Includes remanufactured and service new versions
- Fits the broadest range of medium- and light-duty commercial vehicles
- Available in semi-loaded and loaded applications – to do the complete job right, the first time
- Superior quality control minimizes service related issues



### Rotors & Drums

- Exact application fit and function
- Superior casting finish
- Smoother stops
- Reduced vibration
- Rust resistant finish



### Brake & Clutch Hydraulics

- Exact form, fit and function is the key to Formula Blue® brake cylinders, master cylinders, and other key brake components, providing long, reliable service life



### Hardware

- Formula Blue® brake hardware provides exact form, fit and function, ensuring quiet reliable operation

- **Comprehensive Coverage • Outstanding Value**
- **Prompt Delivery • Proven Sales & Service Support**
  - **Expert Technical Assistance**
  - **Full Electronic Cross Reference**

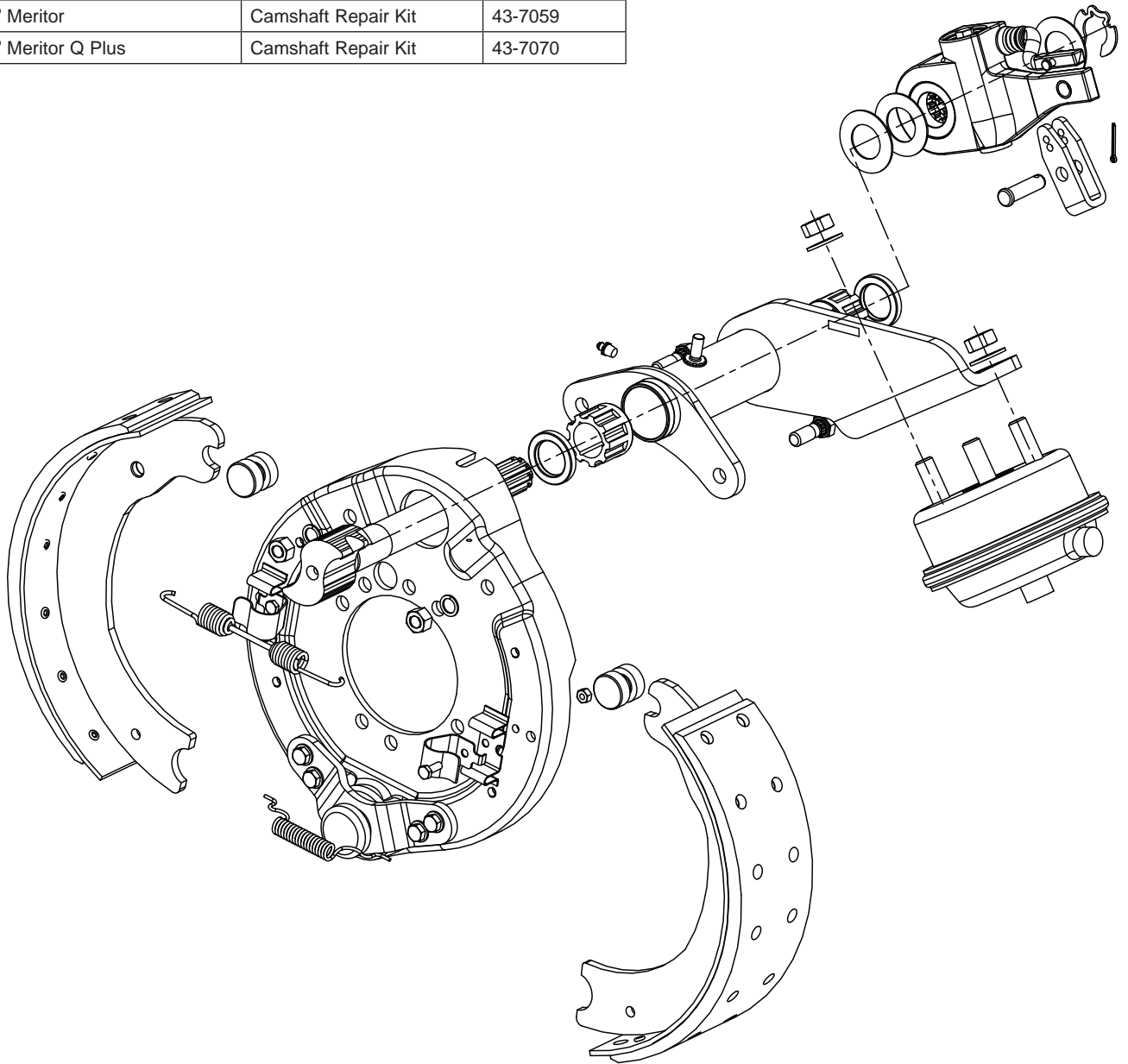
Refer to Formula Blue® Hydraulic Parts Catalog (BW7348) for a complete listing of hydraulic parts.





## Steer Axle Drum Brake

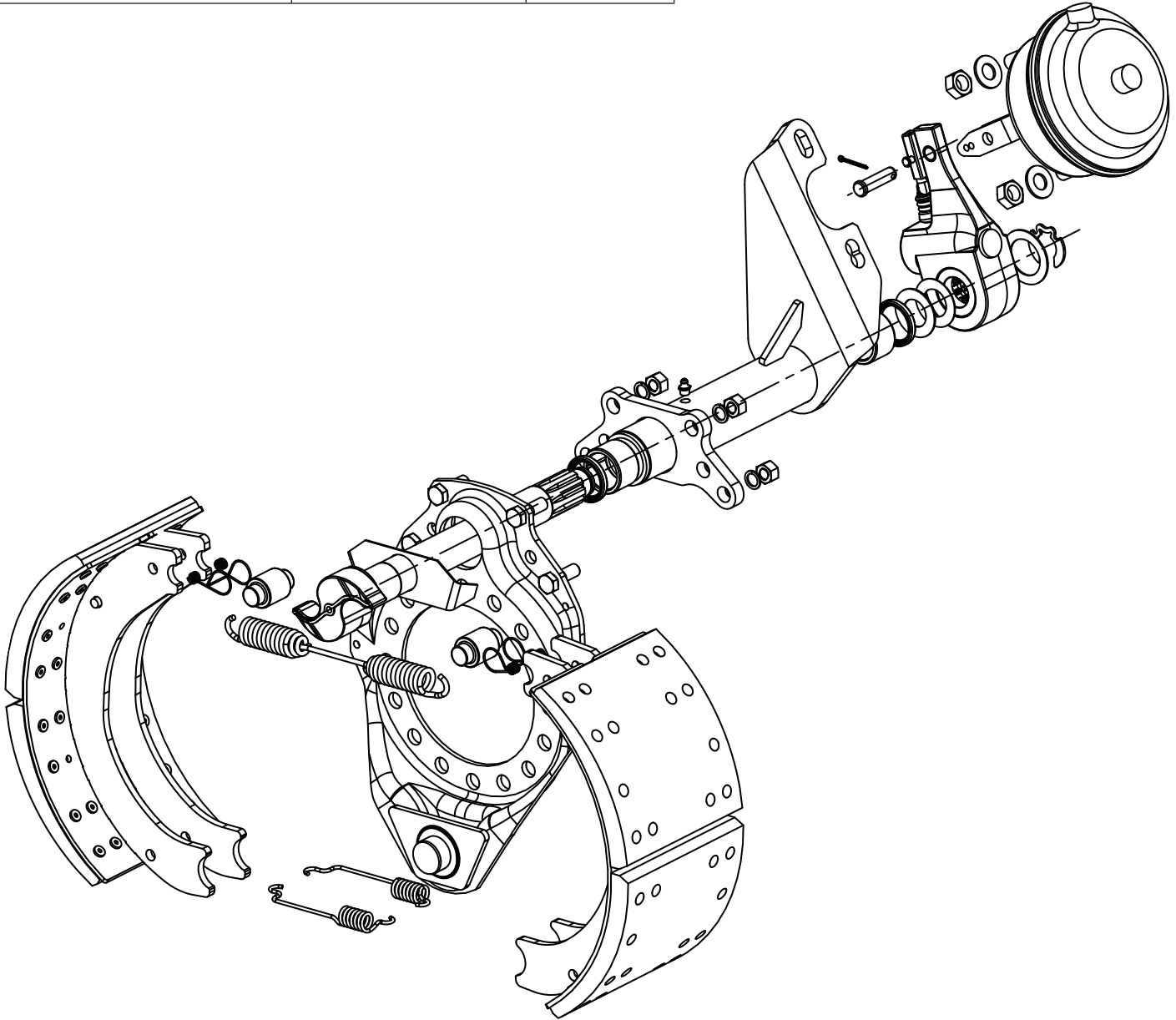
Application	Description	Piece Number
15"x4" Bendix	Brake Hardware Kit	HK54
15"x4" Bendix Extended Service	Brake Hardware Kit	HK54
15"x4" Meritor	Brake Hardware Kit	HK55
15"x4" Meritor Q Plus	Brake Hardware Kit	HK29XLS
15"x4" Bendix	Camshaft Repair Kit	43-7060
15"x4" Bendix Extended Service	Camshaft Repair Kit	43-7060
15"x4" Meritor	Camshaft Repair Kit	43-7059
15"x4" Meritor Q Plus	Camshaft Repair Kit	43-7070



*This catalog contains the most common components and kits. Many other applications and variations are available in the Bendix® product offering. For a complete listing see [Brake Shoe and Hardware](#) catalog **BW7248**. For Bendix® OEM Certified Friction Material refer to **BW7224**. For camshafts and overhaul kits see catalog **BW7240**.*

## Drive Axle Drum Brake

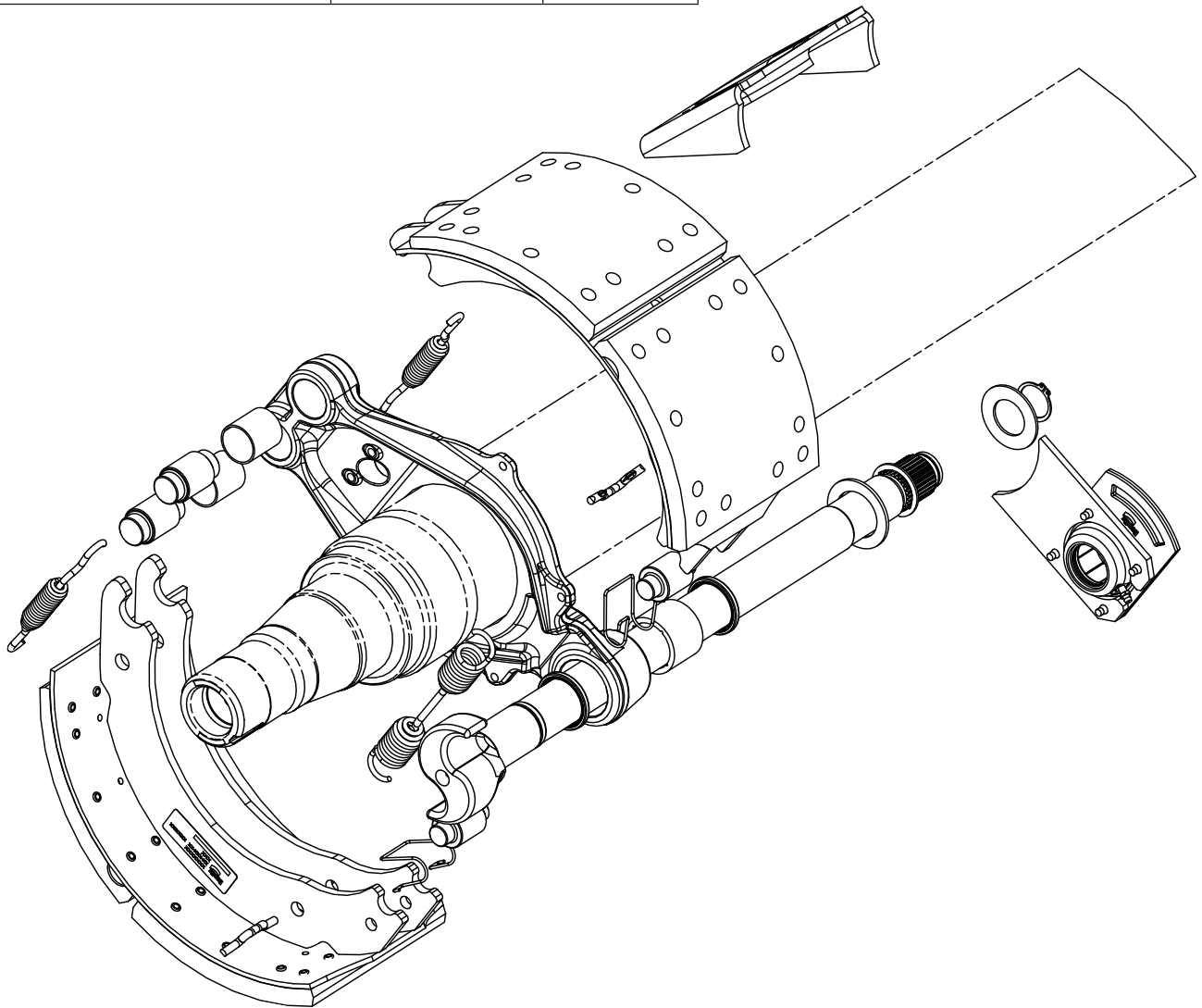
Application	Description	Piece Number
16.5" Dia. Bendix	Brake Hardware Kit	HK24XLSHM
16.5" Dia. Bendix Extended Service	Brake Hardware Kit	HK61XLS
16.5" Dia. Meritor	Brake Hardware Kit	HK29XLS
16.5" Dia. Meritor Q Plus	Brake Hardware Kit	HK29XLS
16.5" Dia. Bendix Extended Service	Camshaft Repair Kit	43-7069
16.5" Dia. Meritor Q Plus	Camshaft Repair Kit	43-7048



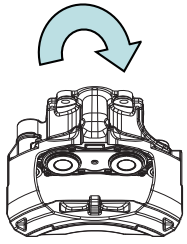
*This catalog contains the most common components and kits. Many other applications and variations are available in the Bendix® product offering. For a complete listing see Brake Shoe and Hardware catalog BW7248. For Bendix® OEM Certified Friction Material refer to BW7224. For camshafts and overhaul kits see catalog BW7240.*

## Trailer Axle Drum Brake

Application	Description	Piece Number
16.5" Dia. SAP Bendix	Brake Hardware Kit	HK24XLSHM
16.5" Dia. SAP Bendix Extended Service	Brake Hardware Kit	HK61XLS
16.5" Dia. DAP Bendix	Brake Hardware Kit	HK29XLS
16.5" Dia. DAP Bendix Extended Service	Brake Hardware Kit	HK29XLS
16.5" Dia. Meritor	Brake Hardware Kit	HK29XLS
16.5" Dia. Meritor Q Plus	Brake Hardware Kit	HK29XLS
16.5" Dia. ProPar	Brake Hardware Kit	HK34XLS
16.5" Dia. Bendix Extended Service	Camshaft Repair Kit	43-7118
16.5" Dia. Meritor Q Plus	Camshaft Repair Kit	43-7072
16.5" Dia. ProPar	Camshaft Repair Kit	43-7039

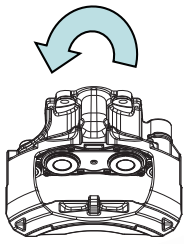


*This catalog contains the most common components and kits. Many other applications and variations are available in the Bendix® product offering. For a complete listing see [Brake Shoe and Hardware](#) catalog **BW7248**. For Bendix® OEM Certified Friction Material refer to **BW7224**. For camshafts and overhaul kits see catalog **BW7240**.*



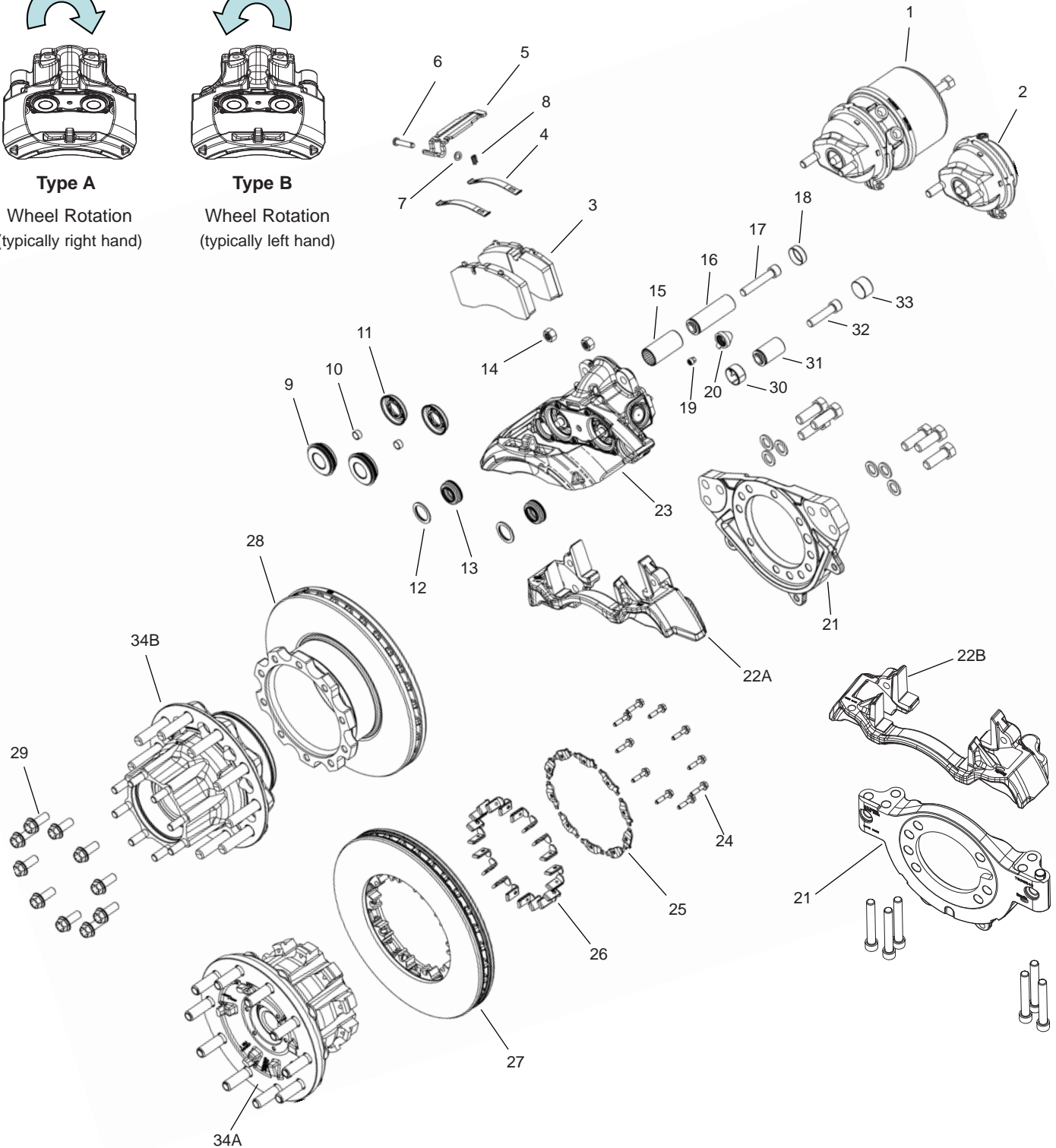
**Type A**

Wheel Rotation  
(typically right hand)



**Type B**

Wheel Rotation  
(typically left hand)



**Bendix® ADB22X™ Air Disc Brake Shown**

*This catalog contains the most common components and kits. Many other applications and variations are available in the Bendix® product offering. Visit the literature center on [www.foundationbrakes.com](http://www.foundationbrakes.com) for additional information.*

Kit	Piece Number	Air Disc Brake					Components Included in Kit
		ADB22X™	ADB225™	SB-7™	SN-7™	SK-7™	
Pad Kit (axle set)	802078	✓				✓	(3, 4, 5, 6, 7, 8, 19, 20)
	802593		✓				(3, 4, 5, 6, 7, 8, 19, 20)
	5013257			✓	✓		(3, 4, 5, 6, 7, 8, 19, 20)
Splint Kit (box of 25)	803151	✓	✓	✓	✓		(8)
Shear Adapter (box of 10)	802455	✓	✓		✓		(19)
Tappet/Boot Kit (wheel end kit)	802119	✓	✓		✓	✓	(9, 10, 11)
	K010604			✓			(9, 10, 11)
Adjuster Cover (non-wear sensing - box of 10)	802456	✓	✓				(20)
	K003902					✓	(20)
	K000945			✓	✓		
Guide Pin, Seal and Boot Kit (wheel end kit)	803114	✓					(12, 13, 15, 16, 17, 18, 30, 31, 32, 33)
	K001915		✓		✓		(12, 13, 15, 16, 17, 18, 30, 31, 32, 33) Rubber Bushing Retro. to Metallic Bushing
	K010766				✓		(12, 13, 15, 16, 17, 18, 30, 31, 32, 33) DU Bushing Kit
	K004100					✓	(12, 13, 15, 16, 17, 18, 30, 31, 32, 33)
	K048396K50			✓			(12, 13, 15, 16, 17, 18, 30, 31, 32, 33)
	K048371K50			✓			
	II328090062			✓			See Service Data Sheet SD-23-7550 (BW2000) for Guide Pin Identification
	II39769F0062			✓			
II368470064			✓			(12, 13, 15, 16, 17, 18, 30, 31, 32, 33) Rubber Bushing Kit	
Guide Pin Grease	II14525	✓	✓	✓	✓		White (5 grams)
	K021964	✓	✓	✓	✓		White (500 grams)
	K021963			✓			Green (8 grams)
	K021975			✓			Green (500 grams)
Service Actuator	K028039	✓					Bendix® Type 14 Universal (2, 14)
	K028226	✓					Bendix® Type 16 Universal (2, 14)
	K028022	✓	✓	✓	✓	✓	Bendix® Type 18 Universal (2, 14)
	K028225	✓	✓	✓	✓	✓	Bendix® Type 20 Universal (2, 14)
Spring Brake Actuator	K027557	✓					Bendix® Type 18/16 Piston Style Truck/Trailer Universal (1, 14)
	K025670	✓	✓	✓	✓	✓	Bendix® Type 18/24 Piston Style Truck/Trailer Universal (1, 14)
	K025669	✓	✓	✓	✓	✓	Bendix® Type 20/24 Piston Style Truck/Trailer Universal (1, 14)
	K026451	✓					Bendix® Type 18/24 Double Diaphragm Style Trailer Universal (1, 14)
Caliper Kit (rationalized) Includes 803114	K019174	✓					Steer and Drive Axle "A" (23)
	K019175	✓					Steer and Drive Axle "B" (23)
	K019180	✓					Trailer Axle "A" (23)
	K019181	✓					Trailer Axle "B" (23)
Carrier Kit	K051853	✓					Steer and Drive Axle, Axial (12, 13, 17, 18, 19, 20, 22A, 32, 33)
	K043288	✓					Trailer Axle, Axial (12, 13, 17, 18, 19, 20, 22A, 32, 33)
	K056559	✓					Steer and Drive Axle, Vertical (12, 13, 17, 18, 19, 20, 22B, 32, 33)
Hubs	K020505	✓					Splined Disc® Brake - Aluminum - FF Steer, LMS Bearing Package (34A)
	803134	✓					Splined Disc® Brake - Aluminum - FL Steer, LMS Bearing Package (34A)
	802847	✓					Splined Disc® Brake - Aluminum - R Drive, LMS Bearing Package (34B)
	K020514	✓					Splined Disc® Brake - Aluminum - FF Steer, Standard Bearing Package* (34A)
	803138	✓					Splined Disc® Brake - Aluminum - FL Steer, Standard Bearing Package* (34A)
	802859	✓					Splined Disc® Brake - Aluminum - R Drive, Standard Bearing Package* (34B)
	K045298	✓					Splined Disc® - Aluminum - "TN" Trailer, Standard bearing package* (34B)
	K045297	✓					Splined Disc® - Aluminum - "TP" Trailer, Standard bearing package* (34B)
See hub supplier for these standard hub products		✓	✓	✓	✓	✓	U-shaped - Iron/Aluminum, LMS/Standard Bearing Packages
		✓	✓	✓	✓	✓	Flat - Iron/Aluminum, LMS/Standard Bearing Packages
Splined Disc® Rotor Attaching Kit	K037766	✓					All Splined Disc® Rotor Applications (24, 25, 26)
Rotor	802081	✓	✓				138mm U-shaped (28, 29)
	802082	✓	✓				150mm U-shaped (28, 29)
	802083	✓					Severe Duty Splined Disc Kit (24, 25, 26, 27)
	802569	✓					Heavy Duty Splined Disc Kit (24, 25, 26, 27)
	K034497				✓		104.7mm Offset (28)
	802669			✓	✓		114.7mm Rotor U-shaped (28)
	K021958			✓	✓		131mm Rotor U-shaped (28)
	II37415N			✓	✓		136mm Rotor U-shaped (28)
	K021959			✓	✓		179.7mm Rotor U-shaped (28)
Shields	803129	✓					Trailer Axle Pad & Rotor Shield Kit
	803130	✓					Drive Axle Pad & Rotor Shield Kit
	802948	✓					Steer Axle Pad Shield Kit

\* Universal Replacement with standard bearing configuration and long studs. Contact 1-800-AIR-BRAKE if identification assistance is required.

## Trademarks

The ACOM, AD-2, AD-4, AD-9, ADB225, ADB22X, ADB22X-V, AD-IP, AD-IS, AD-SP, AF-3, ALWAYS ALERT, ASA-5, AT-3, AT-30, AT-6, ATR-1, ATR-3, ATR-6, AUTOBRAKE, BA-921, BA-922, BACKSPOTTER, BASIC, BENDIX, BENDIX DESIGN, BLINDSPOTTER, BLUECHROME, BP-1, BP-R1, BR9235, BVA-85, BX-2150, BW IN A DIAMOND, BX DESIGN, C-1, C-3, C-5, C-6, CORELESS, D-2, D-2A, DATALINK, DC-1, DC-2, DC-3, DC-4, DD2, DD3, DRM, DS-1, DS-2, DURADRAIN, DURAFLO 596, DV-2, DYNAMARK DESIGN, E-10PR, E-10P, E-10R, E-10, E-12, E-14, E-15, E-2, E-3, E-6, E-7, E-8P, EC-16, EC-17, EC-30, EC-60, ECUTALK, ES BRAKES, ESP, ESR, ES, ET-2, ET-S2, EVERFLOW, E-Z-GRIP, FLEX, FORMULA BLUE, HR-1, KNORR-BREMSE, LMS, LP-2, LP-3, LQ-1, LQ-2, LQ-4, LQ-5, M-30, M-32QR, M-32, MC-30, MV-2, MV-3, PAVE, PBS, PP-1, PP-2, PP-3, PP-5, PP-7, PP-8, PP-DC, PS-60, PR-2, PR-3, PR-4, PURAGUARD, QR-1, QR-1C, QRD-2, QR-L, QRN-2, QRN, QUADXVISION, R-12, R-12DC, R-12P, R-14, R-1, R-1C, R-5, R-6, R-7, R-8P, R-8, RD-3, RE-6, RE-6NC, RSP, RV-1, RV-3, SAS-60, SB-4, SB-7, SC-1, SC-2, SC-3, SC-PR, SD3, SDS-9600, SK-7, SL-3, SL-4, SL-5, SMART ATC, SMARTCRUISE, SMARTIRE, SMARTWAVE, SN-7, SPICER, SPLINED DISC, SR-1, SR-2, SR-4, SR-5, SR-7, SRC-7000, ST-3, ST-4, SURESTROKE, SV-1, SV-4, SYSTEM-GUARD, TABS-6, TC-2, TC-4, TC-6, TC-7, TCS-9000, TE-1, TH-3, TP-3, TP-3DC, TP-4, TP-5, TR-1, TR-2, TR-3, TR-4, TR-5, TRSP, TRUCK PRODUCTS DESIGN, TU-FLO, TW-11, TW-1, TW-2, TW-3, TW-4, TW-5, VORAD, WINGMAN, WS-20, WS-24, XVISION, YAS-60 and YAS-70X trademarks are licensed to or owned by Bendix Commercial Vehicle Systems LLC.

Any references in this catalog to ACERT, BERG, BLUEBIRD, CASCADIA, CAT, CATERPILLAR, CUMMINS, DDC, DETROIT DIESEL, DTNA, EQUINOX, FORD, FREEDOMLINE, GM, HOLSET, IHC, INTERNATIONAL, JOHN DEERE, KELSEY HAYES, KENWORTH, MACK, MERITOR, MIDLAND, NAVISTAR, OSHKOSH, PACCAR, PETERBILT, SEALCO, VOLVO, WAGNER, and any other company or trademark are solely for identification and cross reference purposes. The trademarks are the property of their respective companies and are not affiliated with or endorsing Bendix Commercial Vehicle Systems LLC. Bendix Commercial Vehicle Systems LLC does not represent any parts shown as products manufactured or remanufactured by the companies so named herein.





Here's the only number you need!  
**1-800-AIR-BRAKE (1-800-247-2725)**

Get convenient, quick and easy access to the Bendix service and support areas you call most at **1-800-AIR-BRAKE (1-800-247-2725)**.

The name says it all.



1-800-AIR-BRAKE (1-800-247-2725)  
Bendix Commercial Vehicle Systems LLC  
[www.bendix.com](http://www.bendix.com)

**1-800-AIR-BRAKE** puts you in touch with a host of Bendix experts, including our seasoned technical support professionals, our customer service team, and even order assistance. Get answers to your warranty questions, learn about our latest air brake training schools and so much more. It's all right at your fingertips. Call us today!

Call **1-800-AIR-BRAKE** to reach Bendix Commercial Vehicle Systems LLC.

- Press 1 for Customer Service or to Place An Order
- 2 for Product Technical Assistance (Tech Team)
- 3 for Air Brake Training
- 4 for a list of Bendix Aftermarket Account Managers
- 5 for Ordering Product Literature
- 6 for [bendix.biz](http://bendix.biz) Support Specialist
- 9 Repeat menu
- 0 for a Bendix Operator

Call **1-800-AIR-BRAKE (1-800-247-2725)** or visit us online at [www.bendix.com](http://www.bendix.com)



Bendix Air Disc Brakes  
Optimum Performance. Optimum Engineering.

Bendix has pulled out all the stops on this one.



Bendix®  
ADB22X™  
air disc brakes  
– advanced  
braking technology  
from the Industry  
Leader.



With all that we've designed into our **Bendix® ADB22X™** air disc brakes, it's no wonder they're the choice of leading OE's. They provide surer, safer stops. They require less maintenance, and last longer – twice the lining life, four times the rotor life, and they cut service time in half – all of which adds up to less truck downtime, and a healthy return on investment.

What's more, their braking feel is like that of a passenger car, with virtually no brake fade. Tough and reliable, they were tested on America's ultimate braking challenge – Colorado's I-70 west of the Eisenhower Tunnel. Over an 8-mile stretch on a 7% grade, there was no degradation in stopping power.

But then, this is the kind of advanced technology that so many have come to expect from Bendix. With over 19.2 million Bendix brakes in service worldwide, a full range of commercial vehicles ride with confidence. After 80 years of pioneering expertise and innovations, you know you can depend on us to safely lead the way.

Bendix® brand foundation brake  
products are brought to you by:

**Bendix Spicer  
Foundation Brake LLC**  
A Bendix CVS and Dana Joint Venture

# On-Line Bendix Literature Center At Your Service

Bendix announces exciting improvements to our on-line literature center, focused on making it easier for you to order Bendix literature. Our streamlined on-line ordering process is fast and easy to use, and puts the most up-to-date Bendix product and technical literature right at your fingertips 24/7.

**All literature will be ordered directly from the on-line Bendix Literature Center . . . one complete source for all of your literature needs.**

Sign-up takes just a few short minutes, offering you access to the documents you need to help sell or service Bendix products. Access our 24/7, on-line literature center rather than calling in orders to ensure accuracy, timeliness, and convenience.

To register or to access your existing account, visit [www.bendix.com](http://www.bendix.com) and click on the **“Visit the Bendix Literature Center”** icon on the homepage, or use the link on [www.foundationbrakes.com](http://www.foundationbrakes.com).

**Service Data**  
SD-08-2417  
Bendix® AD-IS® EverFlow™ Assembly

**Discover Bendix Trailer Products**

**Can't Get To Us? Bendix Brake Training Can Come To You.**

**“Rethink” buying a compressor that’s been “Rebuilt”**  
It’s Just Not the Same

	Bendix Remanufactured	Non-genuine Rebuilt
<b>Superior Process:</b>		
• Cores stripped down, inspected, degreased, heat treated, and then re-inspected;	✓	X
• Re-ground & polish all crankshaft journal and bearing surfaces; gear components scrapped; new Bendix OE components used;	✓	-
• Crankshaft boxes re-bored to OE specifications;	✓	-
• All new rings, seals, gaskets, springs and washers installed; and	✓	-
• Upgrade with any new OE changes to meet the latest performance specs.	✓	X
<b>Superior Performance:</b>		
• Units rigorously tested for air leakage & general operation.	✓	X
• Units further tested for specific air delivery & efficiency, build-up time, noise level, and correct cut-in operation; and	✓	-
• Quicker build-up times, lower discharge temps, and 5-15% longer service life.	✓	-
<b>Superior Coverage:</b>		
• Two year warranty, technical advice & 24/7/365 online support; and	✓	X
• A world wide network of field support (SWAT teams, field sales, technical specialists, and customer service).	✓	-

Here's a sampling of the substandard components and practices found on non-Genuine, rebuilt compressors bought right off the shelf.

CONNECTING RODS	PISTON RING	GASKET SURFACES	PISTON	SECURING HARDWARE
Poor bearing surfaces	Damaged tapered price	Poor machining & scratches	Poor quality replacement parts	Lower grade bolts often used



# ONE SEEMS LIKE A SMALL NUMBER. UNLESS IT'S THE NUMBER OF CRASHES YOU HAD THIS YEAR.

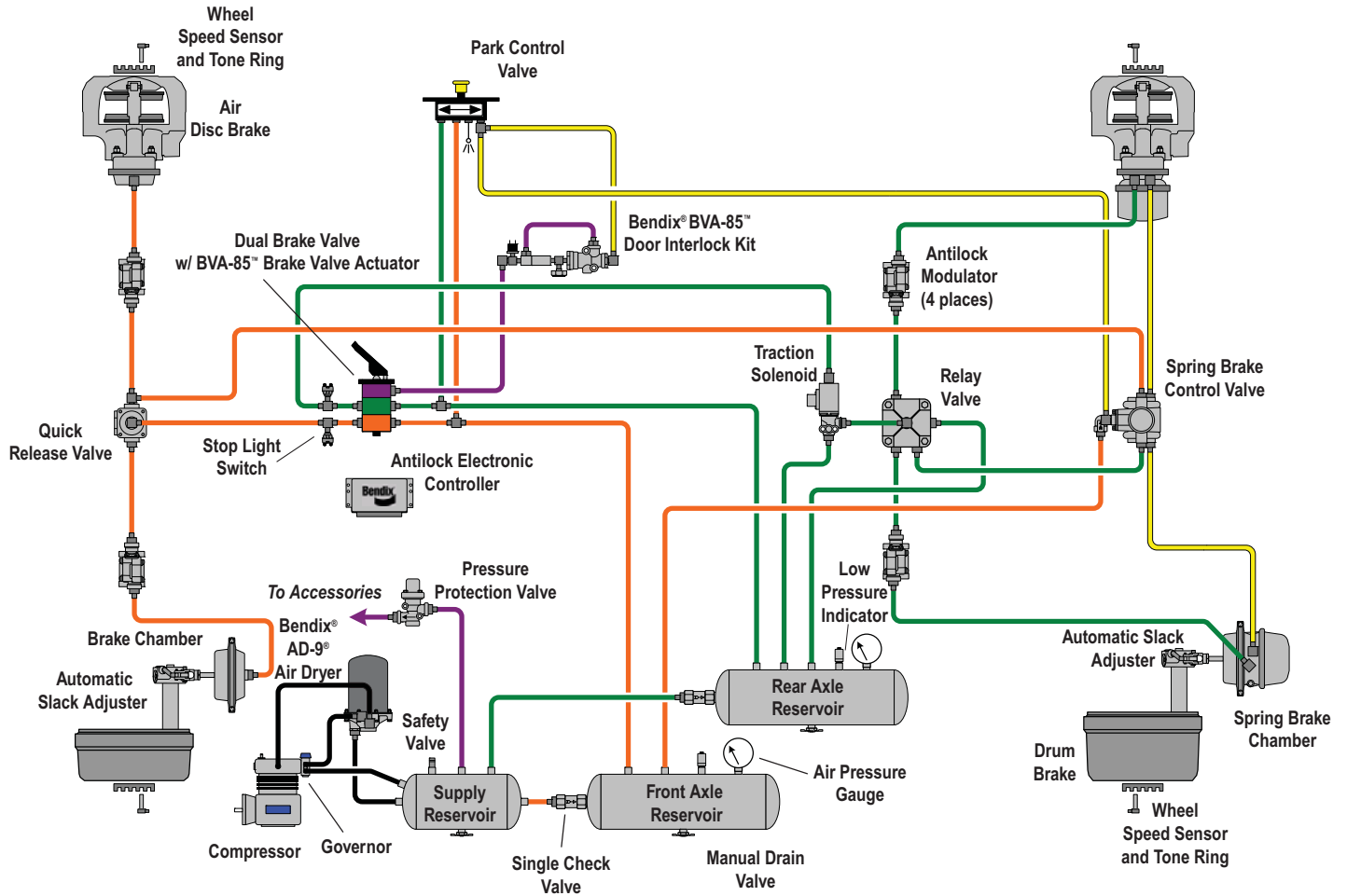


Not all stability systems are the same. A full-stability system, like Bendix® ESP®, mitigates more types of crashes than a roll-only system. It has more sensors that read, and more capability to react, to a wider variety of road conditions, so it can help prevent both rollovers and loss-of-control situations. Of course nothing replaces the need for good drivers, sound driving practices, and ongoing driver training.

Don't risk one more crash. Get Bendix ESP. Call 1-800-247-2725 or visit [www.bendix.com](http://www.bendix.com) today.



# Typical School Bus Air System Schematic with a Bendix® AD-9® Air Dryer

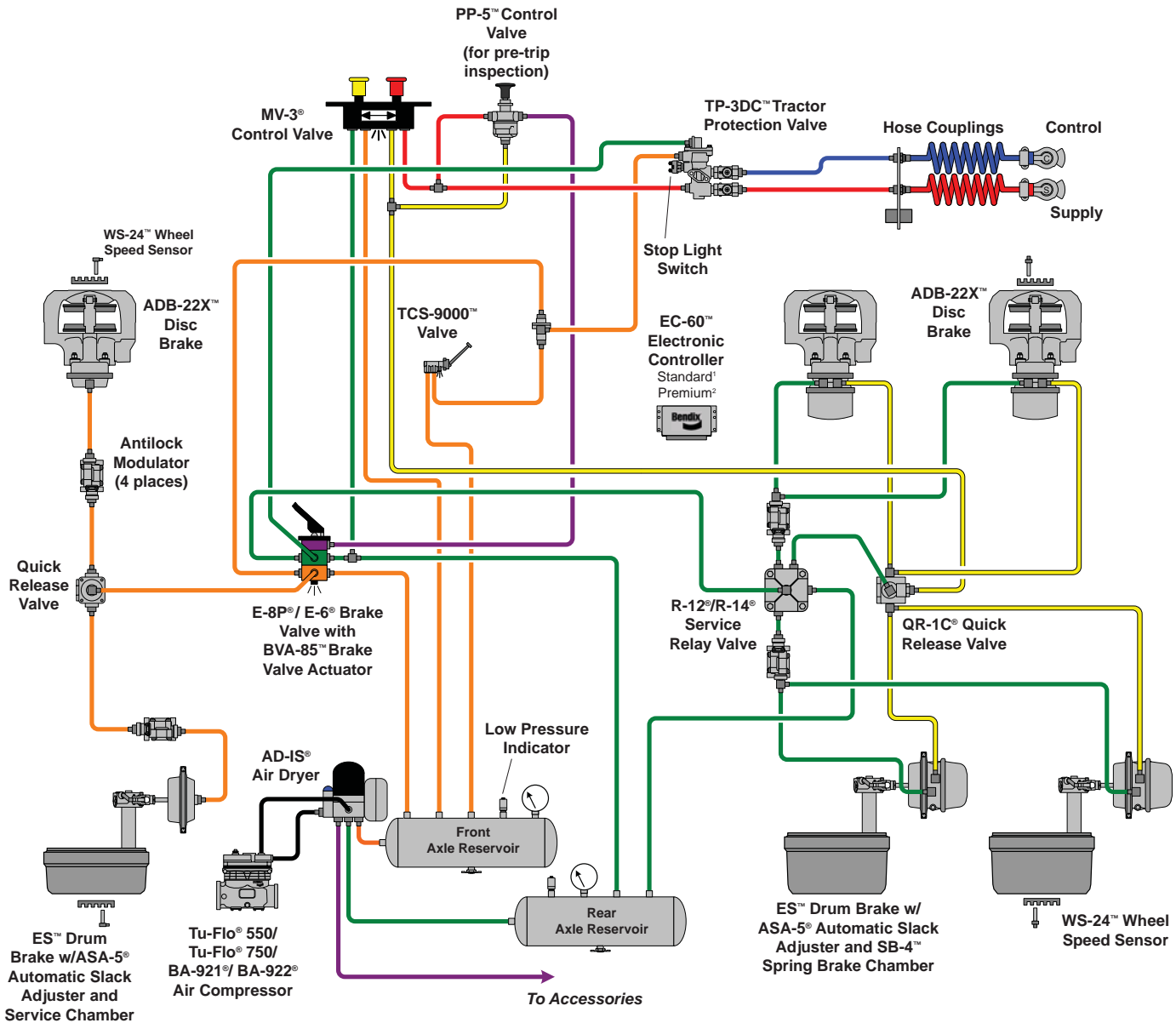


**Notes:**

The color coding of the brake system schematic follows TMC Recommended Practice #423. Air disc & drum brake actuation combined on a single axle are shown for pictorial purposes only.

SCHOOL BUS:				
Charging	Primary	Secondary	Parking (Control)	Accessories

## Typical Tractor System Schematic

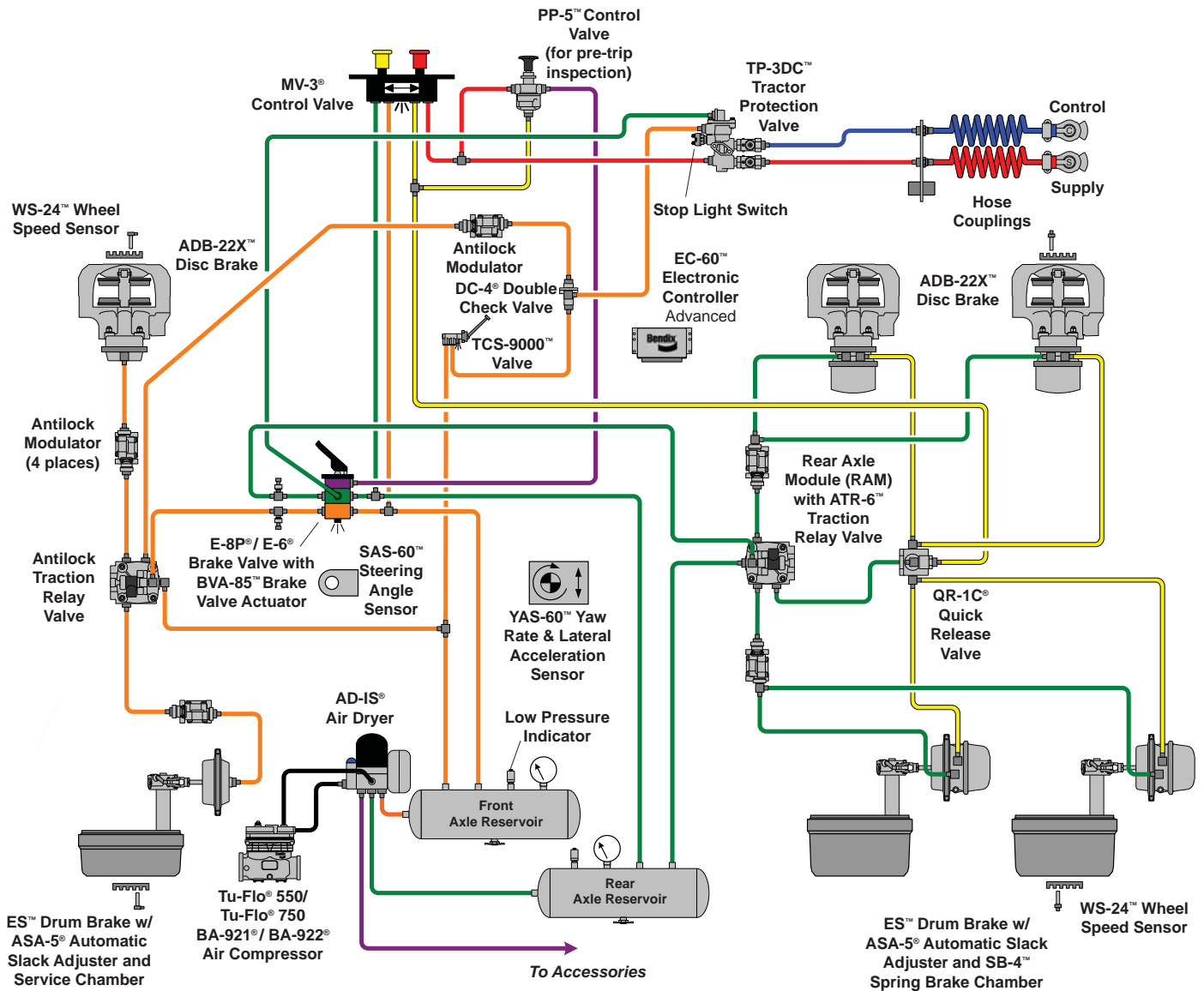


**Notes:**  
 The color coding of the brake system schematic follows TMC Recommended Practice #423.  
 Air disc & drum brake actuation combined on a single axle are shown for pictorial purposes only.  
<sup>1</sup> Equipped with standard Bendix® ABS Antilock Brake System  
<sup>2</sup> Equipped with Bendix® ABS and Smart ATC™ Traction Control

TRUCKS AND TRUCK TRACTORS:					
Charging	Primary	Secondary	Park (Supply)	Parking (Control)	Accessories



# Typical Tractor System Schematic with ESP® Stability

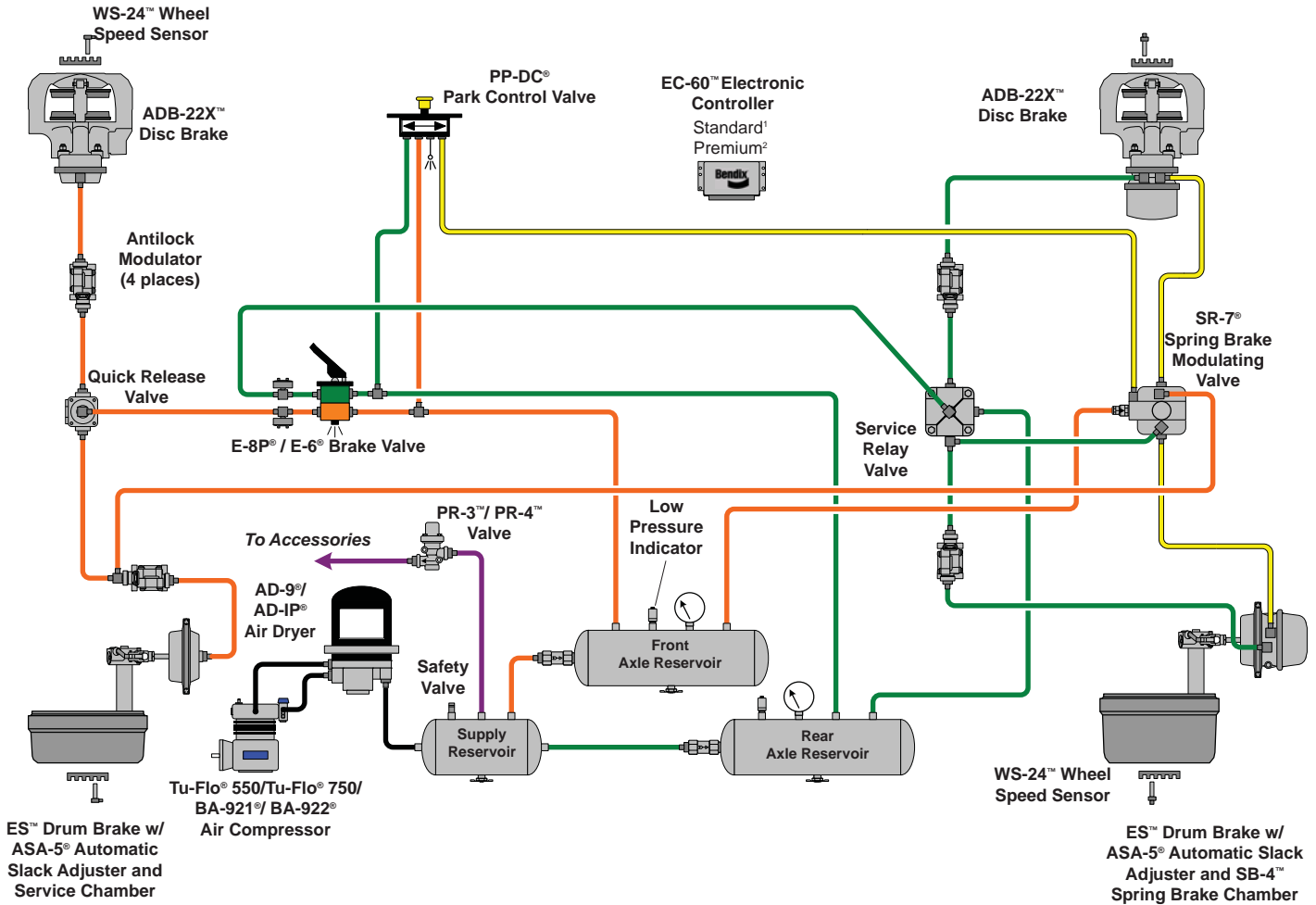


**Notes:**

The color coding of the brake system schematic follows TMC Recommended Practice #423.  
Air disc & drum brake actuation combined on a single axle are shown for pictorial purposes only.

TRUCKS AND TRUCK TRACTORS:					
<span style="display:inline-block; width:10px; height:10px; background-color:black;"></span> Charging	<span style="display:inline-block; width:10px; height:10px; background-color:green;"></span> Primary	<span style="display:inline-block; width:10px; height:10px; background-color:orange;"></span> Secondary	<span style="display:inline-block; width:10px; height:10px; background-color:red;"></span> Park (Supply)	<span style="display:inline-block; width:10px; height:10px; background-color:yellow;"></span> Parking (Control)	<span style="display:inline-block; width:10px; height:10px; background-color:purple;"></span> Accessories

## Typical Truck System Schematic

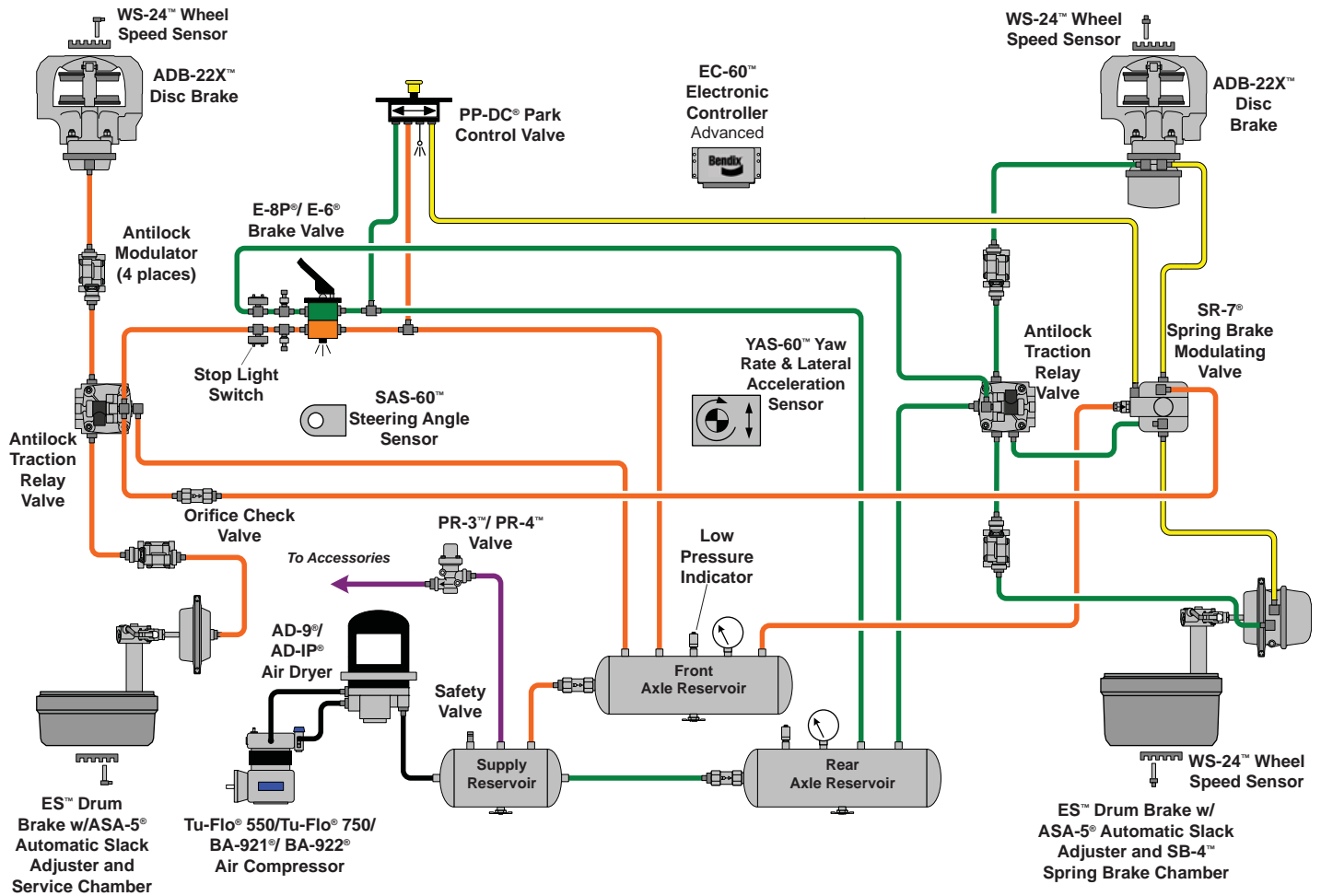


**Notes:**

The color coding of the brake system schematic follows TMC Recommended Practice #423.  
 Air disc & drum brake actuation combined on a single axle are shown for pictorial purposes only.  
<sup>1</sup> Equipped with standard Bendix® ABS Antilock Brake System  
<sup>2</sup> Equipped with Bendix® ABS and Smart ATC™ Traction Control

TRUCKS AND TRUCK TRACTORS:					
Charging	Primary	Secondary	Park (Supply)	Parking (Control)	Accessories

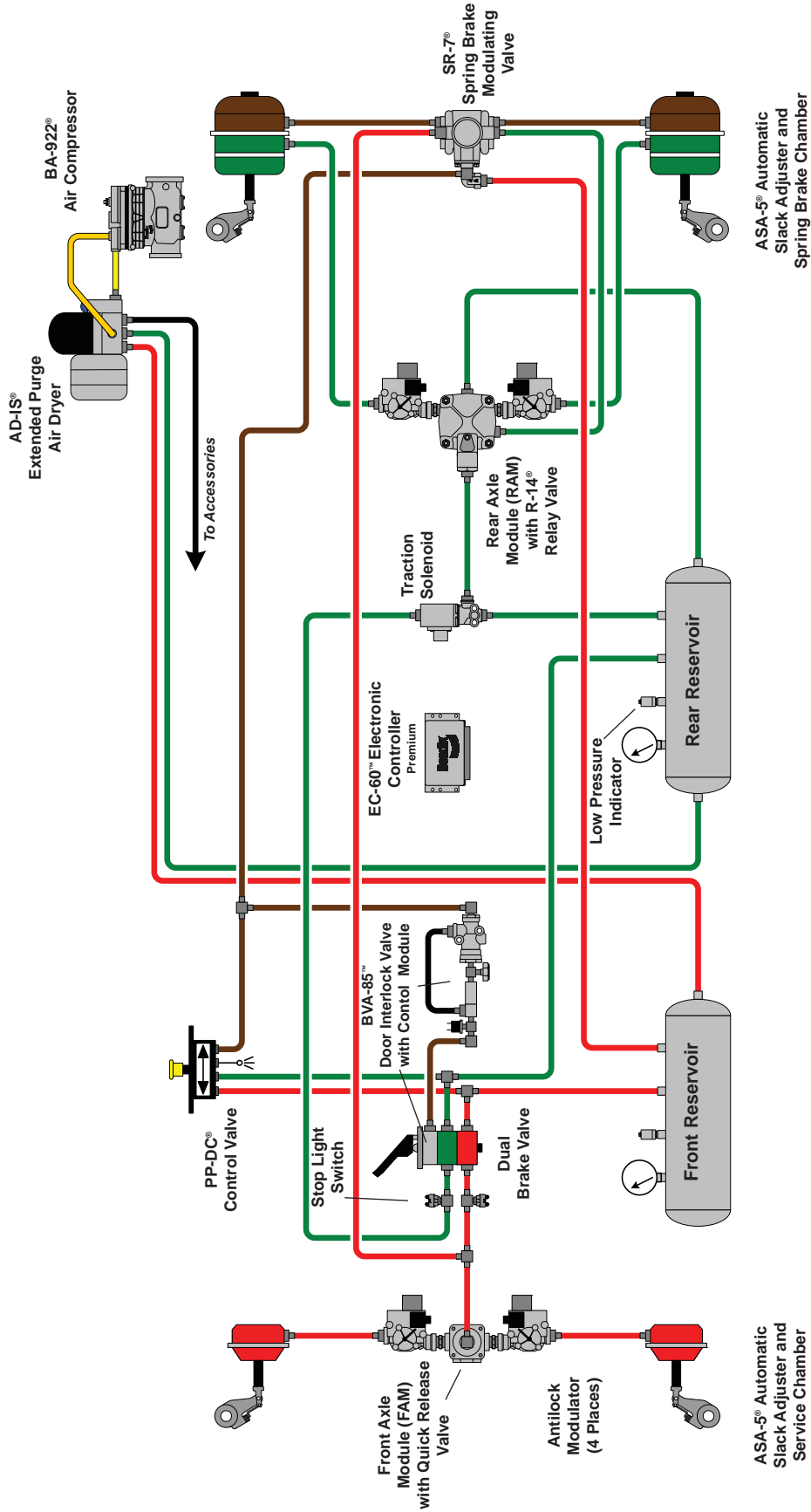
# Typical Truck System Schematic with ESP® Stability



**Notes:**  
 The color coding of the brake system schematic follows TMC Recommended Practice #423.  
 Air disc & drum brake actuation combined on a single axle are shown for pictorial purposes only.

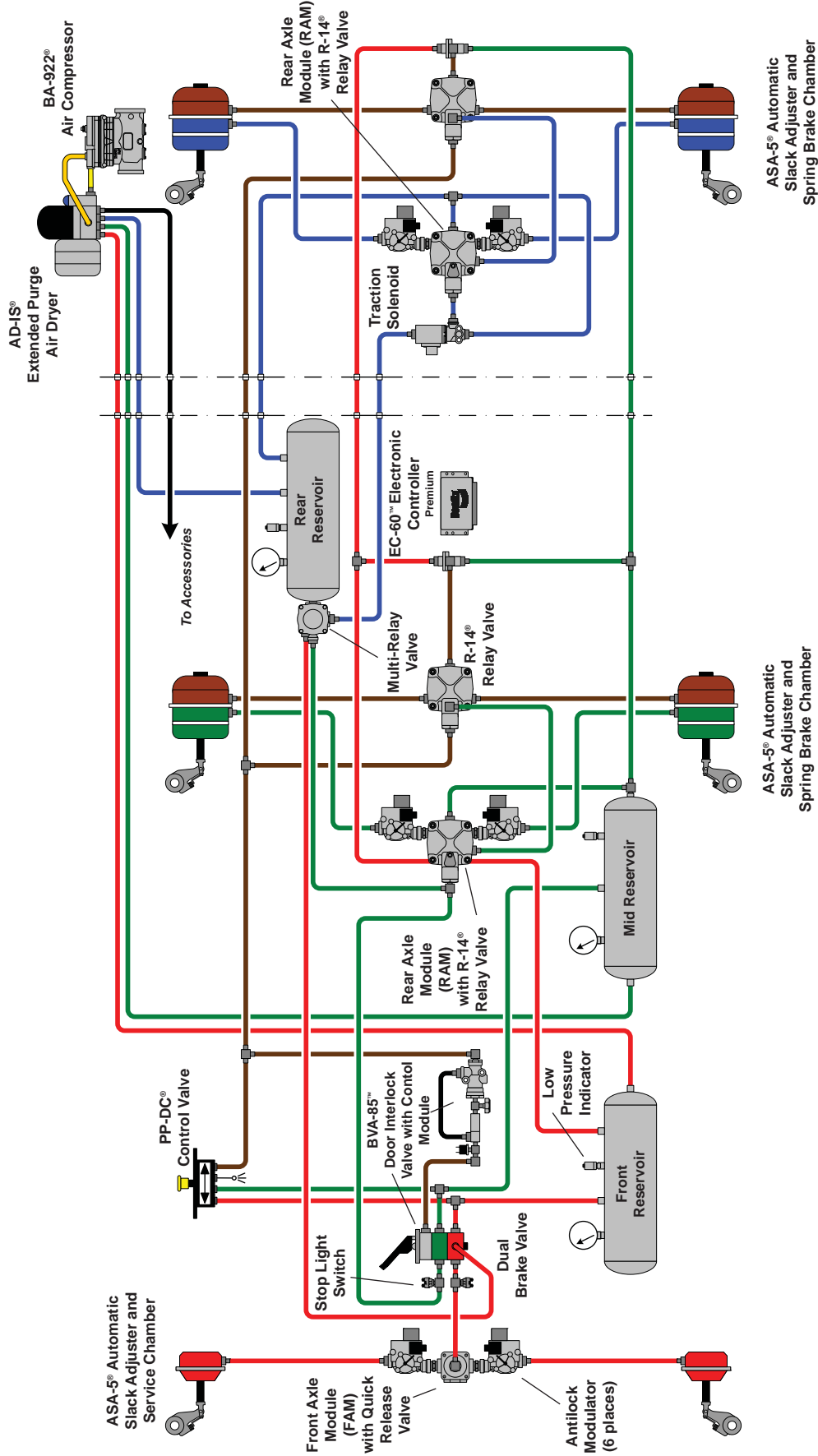
TRUCKS AND TRUCK TRACTORS:					
■	■	■	■	■	■
Charging	Primary	Secondary	Park (Supply)	Parking (Control)	Accessories

# Typical Coach Bus Air System Schematic



**Notes:**  
 The color coding of the brake system schematic follows APTA Recommended Practice.  
 Air disc & drum brake actuation combined on a single axle are shown for pictorial purposes only.

# Typical Articulated Coach Bus Air System Schematic

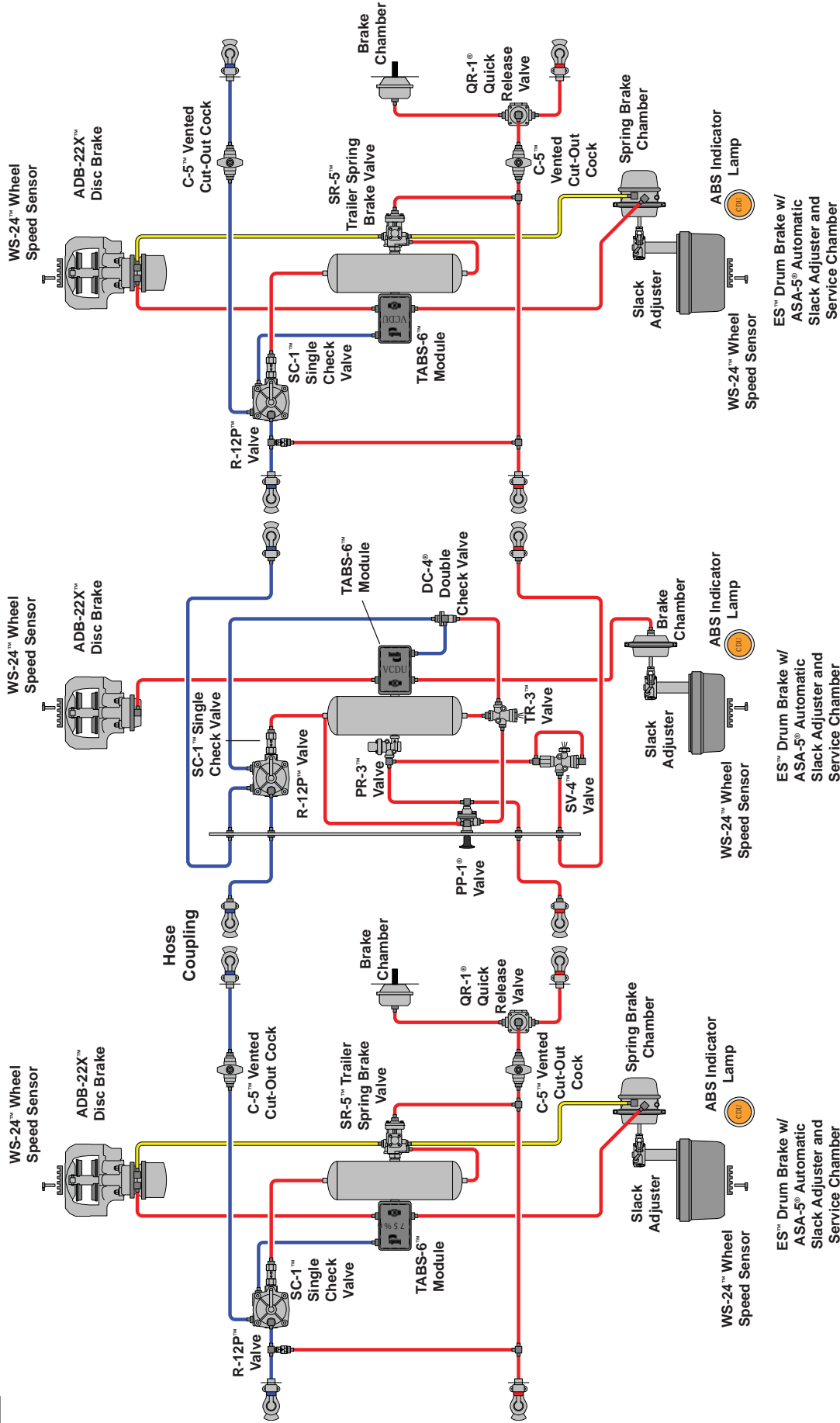


**COACH:**

	Primary & Supply
	Articulated Circuit
	Secondary
	Parking
	Compressor Governor
	Accessories

**Notes:**  
 The color coding of the brake system schematic follows APTA Recommended Practice.  
 Air disc & drum brake actuation combined on a single axle are shown for pictorial purposes only.

## Typical Double Train



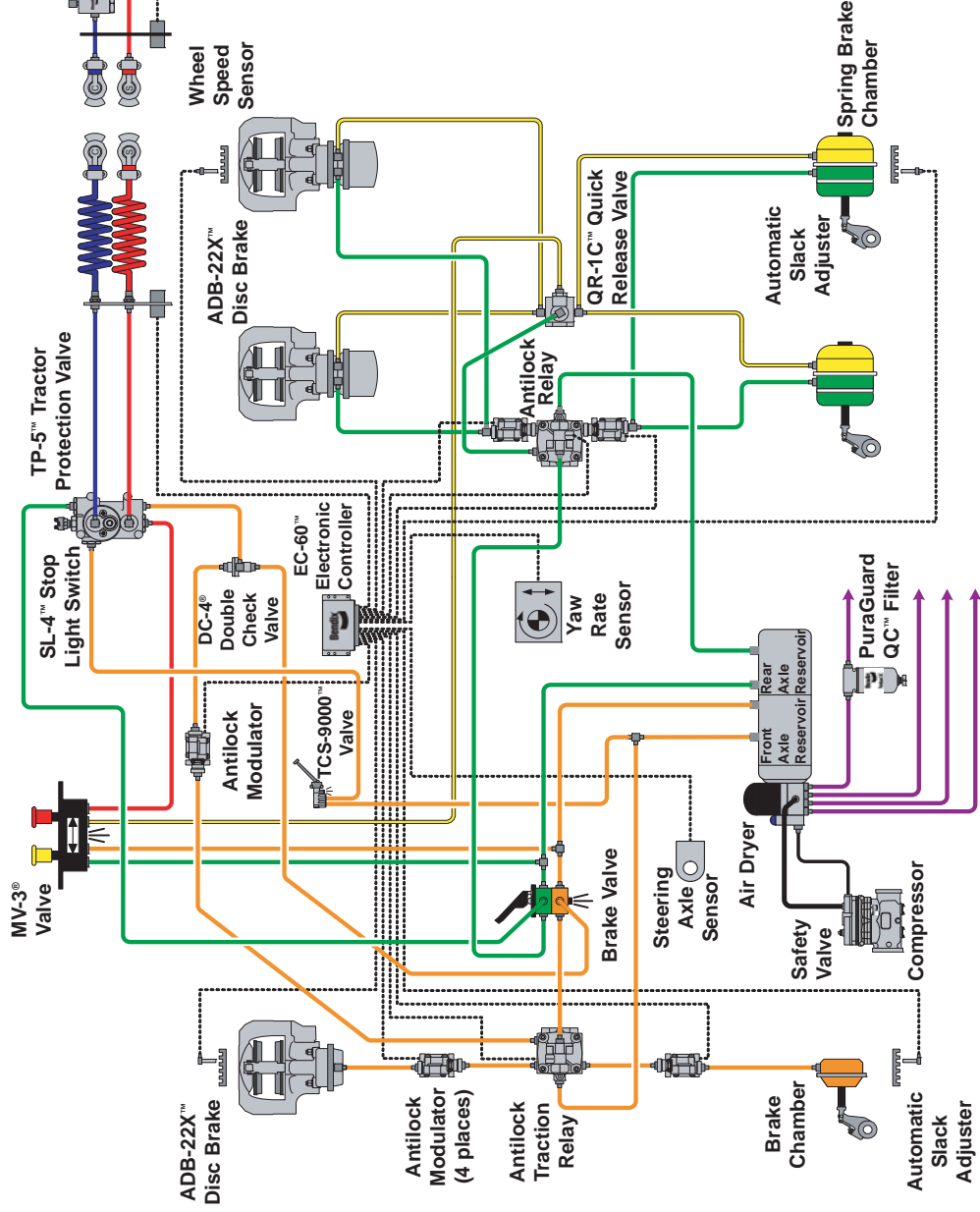
**TRAILERS:**

	Trailer (Supply)
	Trailer (Control)
	Trailer (Park)

Air disc & drum brakes combined on a single axle are shown for pictorial purposes only.



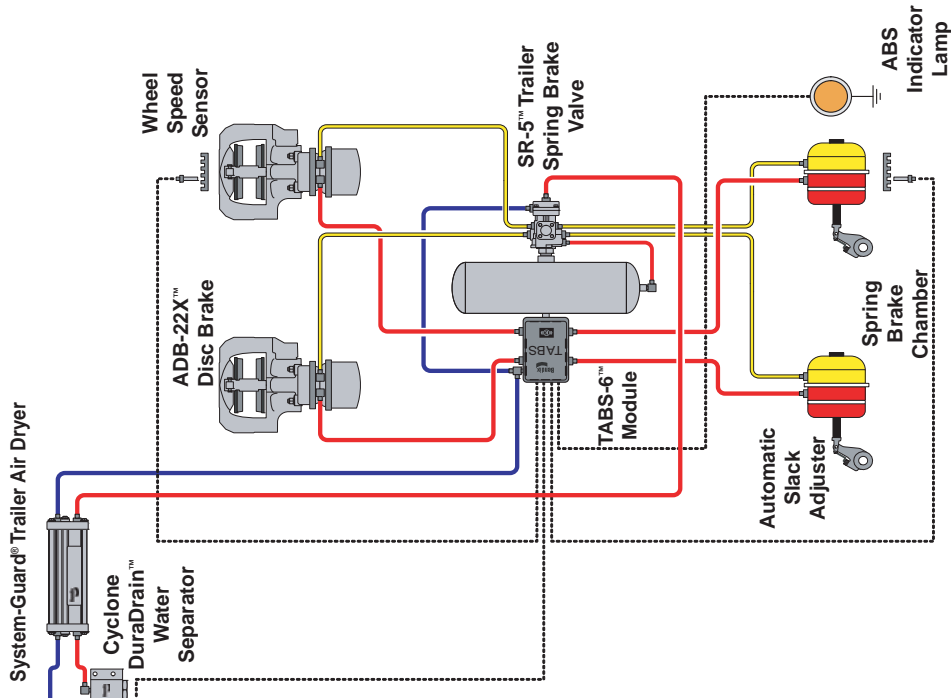
# Typical Tractor System



----- Indicates electrical connection

Air disc & drum brakes combined on a single axle are shown for pictorial purposes only.

# Typical Trailer System



## TRUCKS AND TRUCK TRACTORS:

- Charging
- Primary
- Secondary
- Park (Supply)
- Parking (Control)
- Accessories

## TRAILERS:

- Trailer (Supply)
- Trailer (Control)
- Trailer (Park)

*Bendix® brand air and hydraulic  
brake products are brought to you by:*

**Bendix Commercial  
Vehicle Systems LLC**

*Bendix®, Formula Blue®, and select Spicer® brand  
foundation brake products are brought to you by:*

**Bendix Spicer  
Foundation Brake LLC**  
*A Bendix CVS and Dana Joint Venture*

## Service Plants

### Huntington

1850 Riverfork Drive West  
Huntington, IN 46750  
260.356.9720

### Bowling Green

346 Central Avenue  
Bowling Green, KY 42101  
270.783.5000

### Acuña

100 Jessica Lane  
Del Rio, TX 78840  
(01152877) 773-05-04

### Vancouver

Suite 150  
13151 Vanier Place  
Richmond, British Columbia  
Canada V6V 2J1  
604.276.9884

## Distribution Centers

### Huntington

1850 Riverfork Drive West  
Huntington, IN 46750  
260.356.9720

### Mexico City

Rio Lerma #108 ext. 2  
Fracc. Ind. Tlaxcolpan  
Tlalnepantla  
Edo. de Mex.  
54030  
011 52 (55) 16 65 90 40

### Montreal

8851 4e Croissant  
Anjou, Quebec  
H1J 1A9  
514.323.0303

### Sparks

1095 Spice Island Drive  
Suite 101  
Sparks, NV 89431  
775.353.4255